



# DXV MODULUS<sup>®</sup>

## P-TRAP



- Sleek, modern design with fluid and balanced proportions
- Concealed interior partition constructed of corrosion-resistant material
- Brass material offers durable construction
- 1-1/4" Diameter slip fit inlet
- Removable trap eye for easy cleaning

### CODES AND STANDARDS

Meets or Exceeds ASME A112.18.1/CSA B125.1  
Meets UPC, IPC and NSPC model plumbing codes

### AVAILABLE FINISHES

Polished Chrome  
Brushed Nickel  
Platinum Nickel  
Matte Black

### FINISH CODE

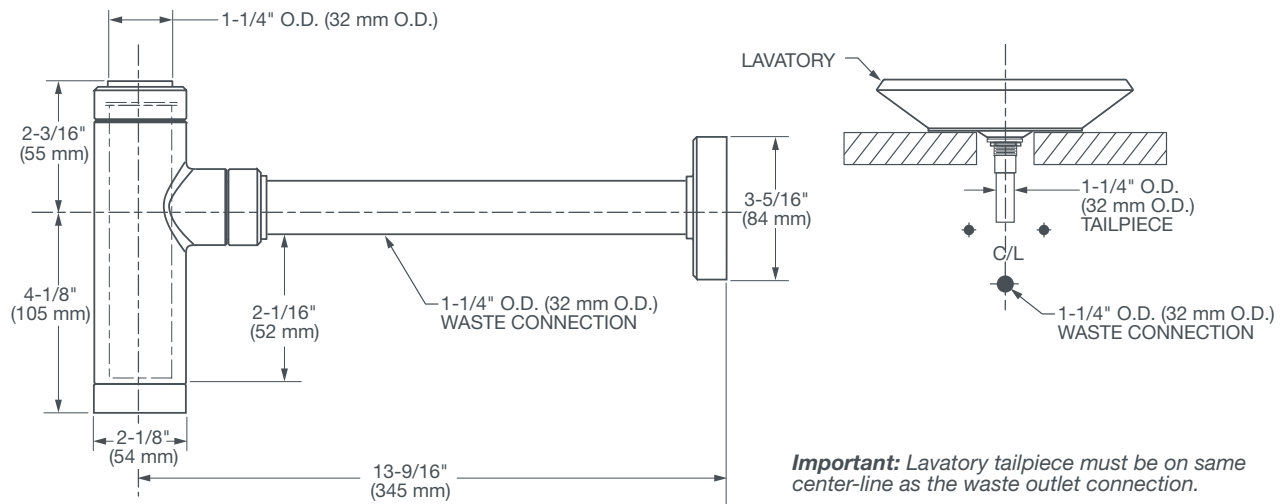
100  
144  
150  
243

### DESCRIPTION

P-Trap

### PRODUCT NUMBER

D35700030.xxx



**IMPORTANT:** These measurements are subject to change or cancellation. No responsibility is assumed for use of superseded or voided pages.

PART OF LIXIL