



VICTORIAN BAR FAUCET



- Ceramic disc valve cartridge
- Lead Free — faucet contains $\leq 0.25\%$ total lead content by weighted volume
- 5-1/4" swivel spout
- Spout swivels at 360°
- Maximum flow rate: 1.8 gpm (6.8 L/min)

CODES AND STANDARDS

Meets or Exceeds ASME A112.18.1/
CSA B125.1/NSF 61/Section 9

Certified Compliant with 0.25% Weighted
Average Lead Content Regulations



AVAILABLE FINISHES

Polished Chrome
Ultra Steel
Carbon Bronze

FINISH CODE

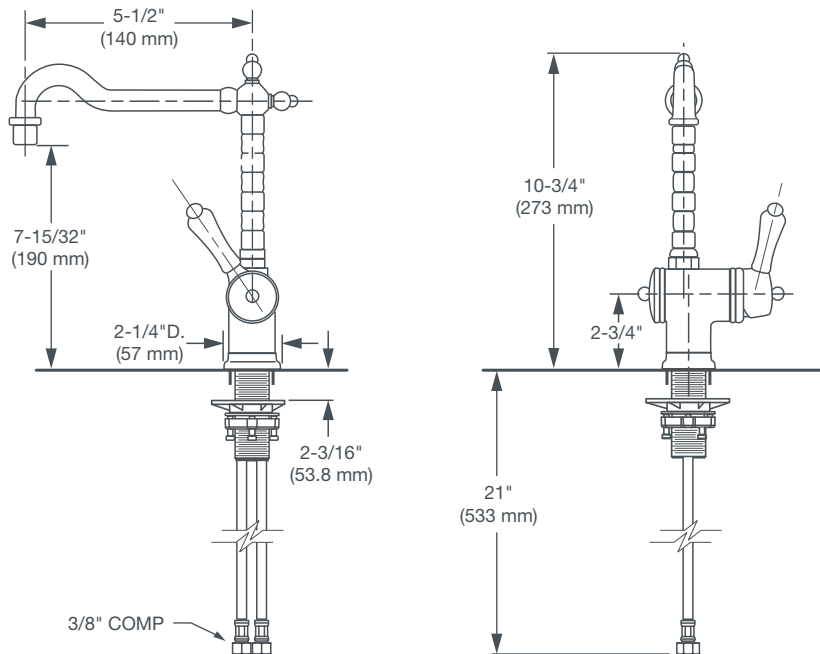
100
355
110

DESCRIPTION

Single Control Bar Faucet

PRODUCT NUMBER

D35402400.XXX



NOTE: Bore hole size is 1-3/8"

IMPORTANT: These measurements are subject to change or cancellation.
No responsibility is assumed for use of superseded or voided pages.

PART OF **LIXIL**

©2017 AS America Inc.

Revised 2/17



Meets the Americans with Disabilities Act
Guidelines and ANSI A117.1 Requirements
for the physically challenged.

www.d xv.com