



AMERICAN STANDARD

CONTEMPORARY POT FILLER



- Modern, simple culinary design
- Ceramic disc valves
- Two-piece adjustable arm folds out of the way when not in use
- Spout extends 22"
- Designed for cold water attachment
- Single hole wall mount and single control actuator
- Lead Free - faucet contains $\leq 0.25\%$ total lead content by weighted volume
- 3.0 gpm (11.4 L/min) flow rate at 45 psi

CODES AND STANDARDS

Meets or Exceeds ASME A112.18.1/
CSA B125.1/NSF 61/Section 9

Certified Compliant with 0.25% Weighted
Average Lead Content Regulations

AVAILABLE FINISHES

Polished Chrome
Ultra Steel

FINISH CODE

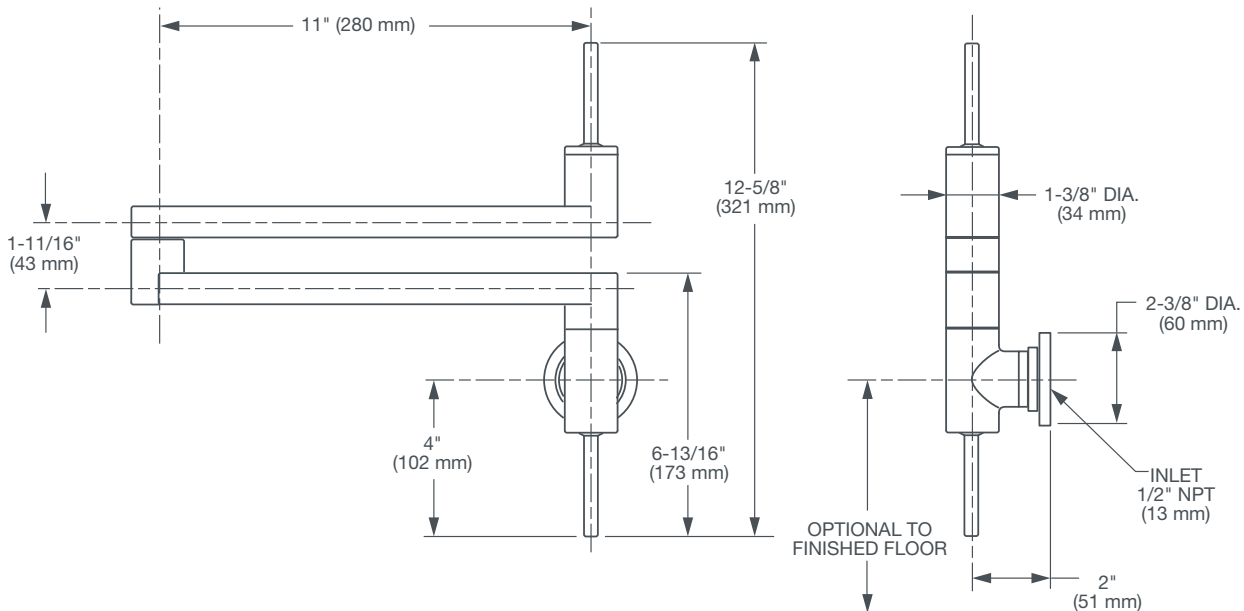
100
355

DESCRIPTION

Contemporary Pot Filler

PRODUCT NUMBER

D35401900.XXX



IMPORTANT: These measurements are subject to change or cancellation.
No responsibility is assumed for use of superseded or voided pages.

PART OF **LIXIL**

©2016 AS America Inc.

Revised 3/16



Meets the Americans with Disabilities Act
Guidelines and ANSI A117.1 Requirements
for the physically challenged.

www.d xv.com