



# DXV MODULUS™

## PRESSURE BALANCE TUB/SHOWER VALVE TRIM WITH DIVERTER



- Cast brass valve with built-in check stops
- Ceramic disc valve cartridge
- Adjustable hot limit safety stop
- Pressure balance cartridge maintains constant output temperature in response to changes in relative hot and cold supply pressures
- Integral diverter
- Concealed mounting hardware
- Red and Blue (hot/cold) indicator markings

### CODES AND STANDARDS

Meets or Exceeds ASME A112.18.1/CSA B125.1/ASSE 1016

#### AVAILABLE FINISHES

Polished Chrome  
Brushed Nickel  
Platinum Nickel

#### FINISH CODE

100  
144  
150

#### DESCRIPTION

Pressure Balance  
Tub/Shower Trim  
Tub/Shower Rough Valve  
(required component)

#### PRODUCT NUMBER

D35120600RB.XXX  
  
D35000600.191

ROUGH-IN DIAGRAM  
SHOWN ON NEXT PAGE

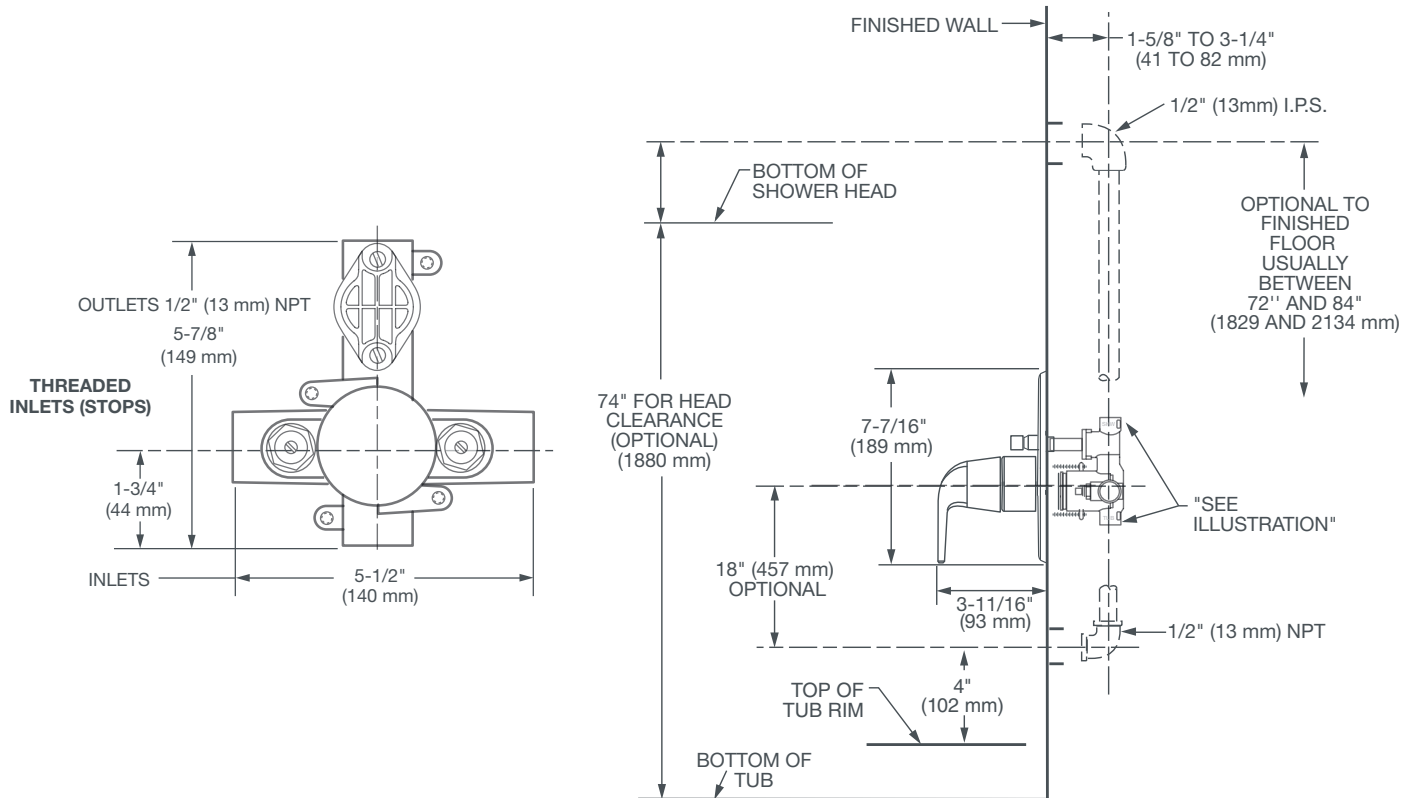


Meets the Americans with Disabilities Act  
Guidelines and ANSI A117.1 Requirements  
for the physically challenged.



# DXV MODULUS™

## PRESSURE BALANCE TUB/SHOWER VALVE TRIM WITH DIVERTER



**IMPORTANT:** These measurements are subject to change or cancellation. No responsibility is assumed for use of superseded or voided pages.

PART OF LIXIL