



# DXV MODULUS™

## 1/2" OR 3/4" THERMOSTATIC VALVE TRIM



- Ceramic disc valve cartridge
- Modern cast brass valve body with built-in check stops
- Adjustable hot limit safety stop
- Wax thermostatic unit permits shuttle valve to move between the hot and cold seats to maintain the preselected constant water temperature
- Concealed mounting hardware
- Red and Blue (hot/cold) indicator markings

### CODES AND STANDARDS

Meets or Exceeds ASME A112.18.1/CSA B125.1/ASSE 1016

### AVAILABLE FINISHES

Polished Chrome  
Brushed Nickel  
Platinum Nickel

### FINISH CODE

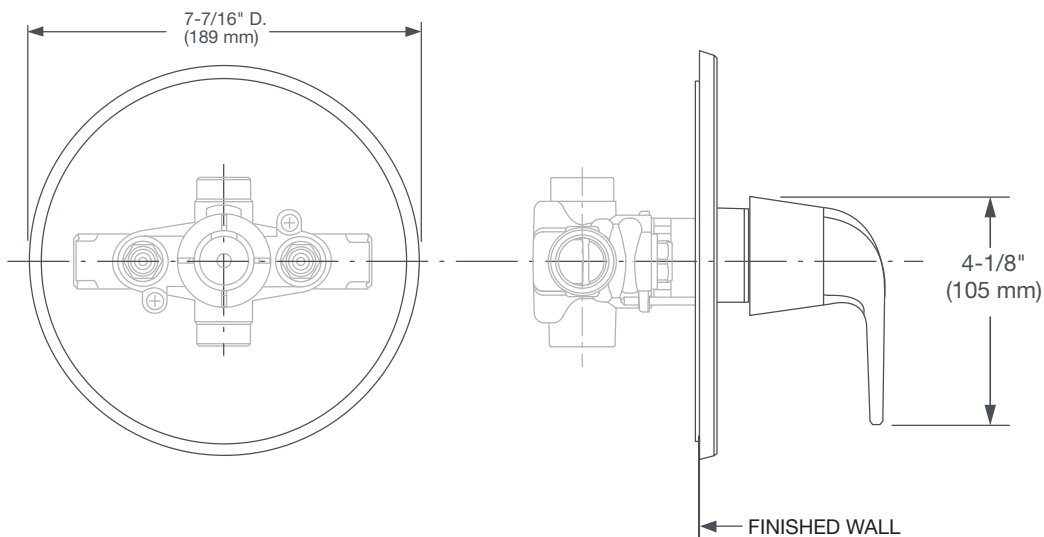
100  
144  
150

### DESCRIPTION

1/2" or 3/4" Thermostatic Valve Trim  
1/2" Thermostatic Rough Valve (required component)  
3/4" Thermostatic Rough Valve (required component)

### PRODUCT NUMBER

D35120510RB.XXX  
D35000510.191  
D35000530.191



**IMPORTANT:** These measurements are subject to change or cancellation. No responsibility is assumed for use of superseded or voided pages.

PART OF LIXIL



Meets the Americans with Disabilities Act Guidelines and ANSI A117.1 Requirements for the physically challenged.