



DXV MODULUS™

LAVATORY WALL MOUNT FAUCET



CALGreen

- Sleek, modern design with fluid and balanced proportions
- Features a decorative base ring with a two tone finish in either Polished Chrome or Brushed Nickel, depending on the Faucet finish selected
- Cast brass spout and side valves
- Ceramic disc valve cartridges
- Lead Free—faucet contains $\leq 0.25\%$ total lead content by weighted volume
- Maximum flow rate: 1.2 gpm (4.5 L/min)
- Red and Blue (hot/cold) indicator markings on handle

CODES AND STANDARDS

Meets or Exceeds ASME A112.18.1/
CSA B125.1/NSF 61/Section 9

EPA WaterSense® High Efficiency
Lavatory Faucet Specification

Certified Compliant with 0.25% Weighted

AVAILABLE FINISHES

Polished Chrome
Brushed Nickel
Platinum Nickel

FINISH CODE

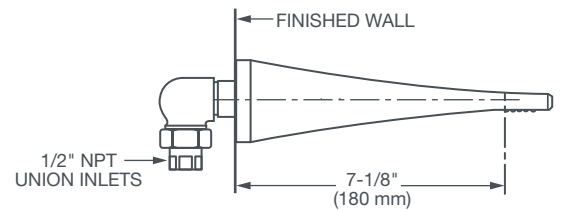
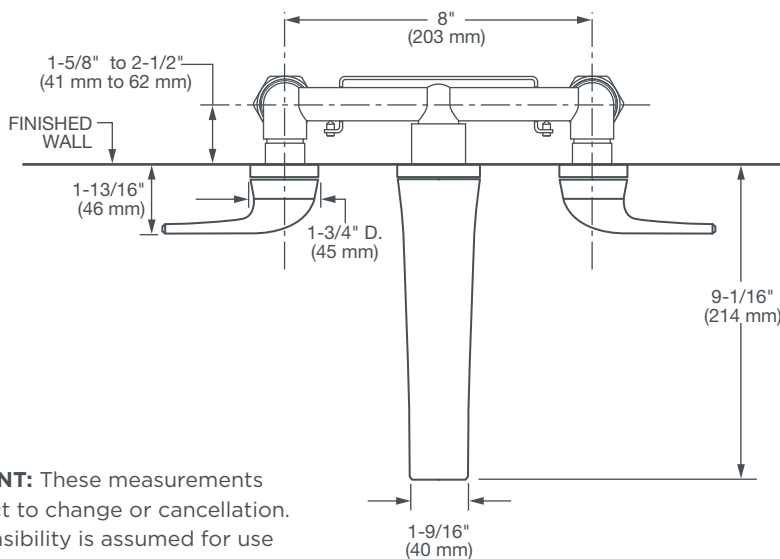
100
144
150

DESCRIPTION

Wall Mount Faucet

PRODUCT NUMBER

D35120450RB.XXX



IMPORTANT: These measurements are subject to change or cancellation. No responsibility is assumed for use of superseded or voided pages.

PART OF **LIXIL**



Meets the Americans with Disabilities Act Guidelines and ANSI A117.1 Requirements for the physically challenged.