



LANDFAIR®

WIDESPREAD LAVATORY FAUCET



- Cast brass spout and side valves
- Ceramic disc valve cartridges
- White porcelain and metal index buttons included
- Flexible hose connections for 6"-12" installations
- Speed Connect® with 1-1/4" drain
- Lead Free—faucet contains $\leq 0.25\%$ total lead content by weighted volume
- Maximum flow rate: 1.5 gpm (5.7 L/min)
- Low flow rate: 1.2 gpm (4.5 L/min)

CODES AND STANDARDS

Meets or Exceeds ASME A112.18.1/
CSA B125.1/NSF 61/Section 9

EPA WaterSense® High Efficiency
Lavatory Faucet Specification

Certified Compliant with 0.25% Weighted
Average Lead Content Regulations

AVAILABLE FINISHES

Polished Chrome
Carbon Bronze
Brushed Nickel
Platinum Nickel

FINISH CODE

100
110
144
150

DESCRIPTION

1.5 gpm (5.7 L/min)
Widespread Lavatory Faucet
1.2 gpm (4.5 L/min)
Widespread Lavatory Faucet

PRODUCT NUMBER

D35107840.XXX
D3510784C.XXX

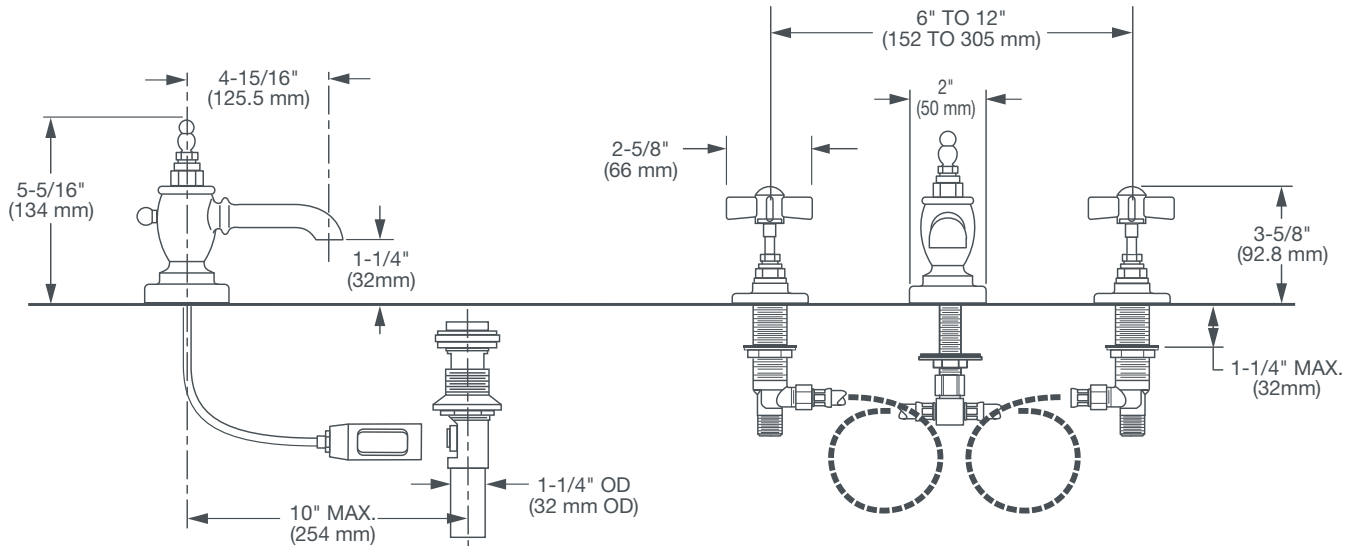


ROUGH-IN DIAGRAM
SHOWN ON NEXT PAGE



LANDFAIR[®]

WIDESPREAD LAVATORY FAUCET



NOTE: MOUNTING HOLES ARE 1-1/4" D. for Spout and for Side valve

IMPORTANT: These measurements are subject to change or cancellation. No responsibility is assumed for use of superseded or voided pages.

PART OF LIXIL