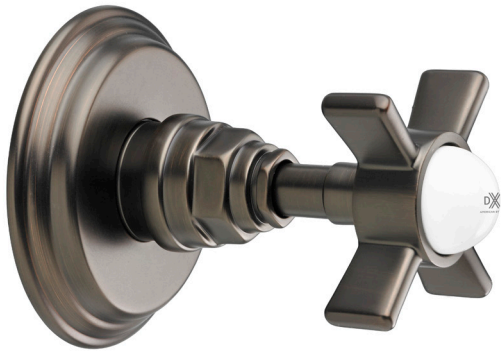




LANDFAIR[®]

3/2 OR 4/3 DIVERTER VALVE TRIM



- Alternates water flow between 2 or 3 discrete shower outlets
- 3/2 Port diverter allows for 1 inlet and 2 outlets
- 4/3 Port diverter allows for 1 inlet and 3 outlets
- 1/2" NPT inlets and outlets
- White porcelain and metal index buttons included

CODES AND STANDARDS

Meets or Exceeds ASME A112.18.1/CSA B125.1

AVAILABLE FINISHES

- Polished Chrome
- Carbon Bronze
- Brushed Nickel
- Platinum Nickel

FINISH CODE

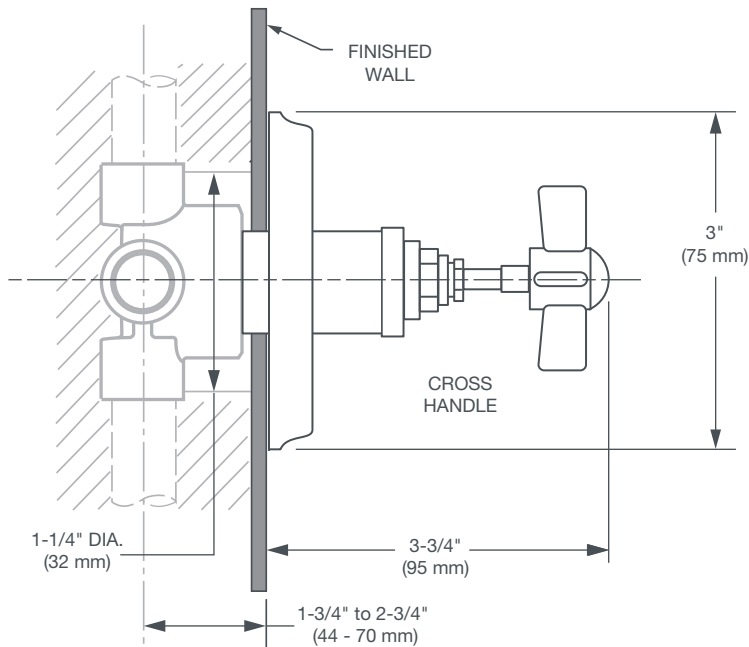
- 100
- 110
- 144
- 150

DESCRIPTION

- 3/2 or 4/3 Diverter Valve Trim
- 3/2 Port Diverter Rough Valve (required component)
- 4/3 Port Diverter Rough Valve (required component)

PRODUCT NUMBER

- D35107430.XXX
- D35000420.191
- D35000430.191



IMPORTANT: These measurements are subject to change or cancellation. No responsibility is assumed for use of superseded or voided pages.

PART OF LIXIL