



LANDFAIR[®]

BRIDGE LAVATORY FAUCET



- Decorative, traditional cast brass spout and side valves
- Ceramic disc valve cartridges
- White porcelain and metal index buttons included
- Non-swivel spout
- Decorative center drain activator and Speed Connect[®] with 1-1/4" drain
- Lead Free—faucet contains $\leq 0.25\%$ total lead content by weighted volume
- Low flow rate: 1.2 gpm (4.5 L/min)
- Red and Blue (hot/cold) indicator rings at base of handles

CODES AND STANDARDS

Meets or Exceeds ASME A112.18.1/
CSA B125.1/NSF 61/Section 9

EPA WaterSense[®] High Efficiency
Lavatory Faucet Specification

Certified Compliant with 0.25% Weighted
Average Lead Content Regulations

AVAILABLE FINISHES

Polished Chrome
Carbon Bronze
Platinum Nickel

FINISH CODE

100
110
150

DESCRIPTION

Bridge Lavatory Faucet

PRODUCT NUMBER

D35107254RB.XXX

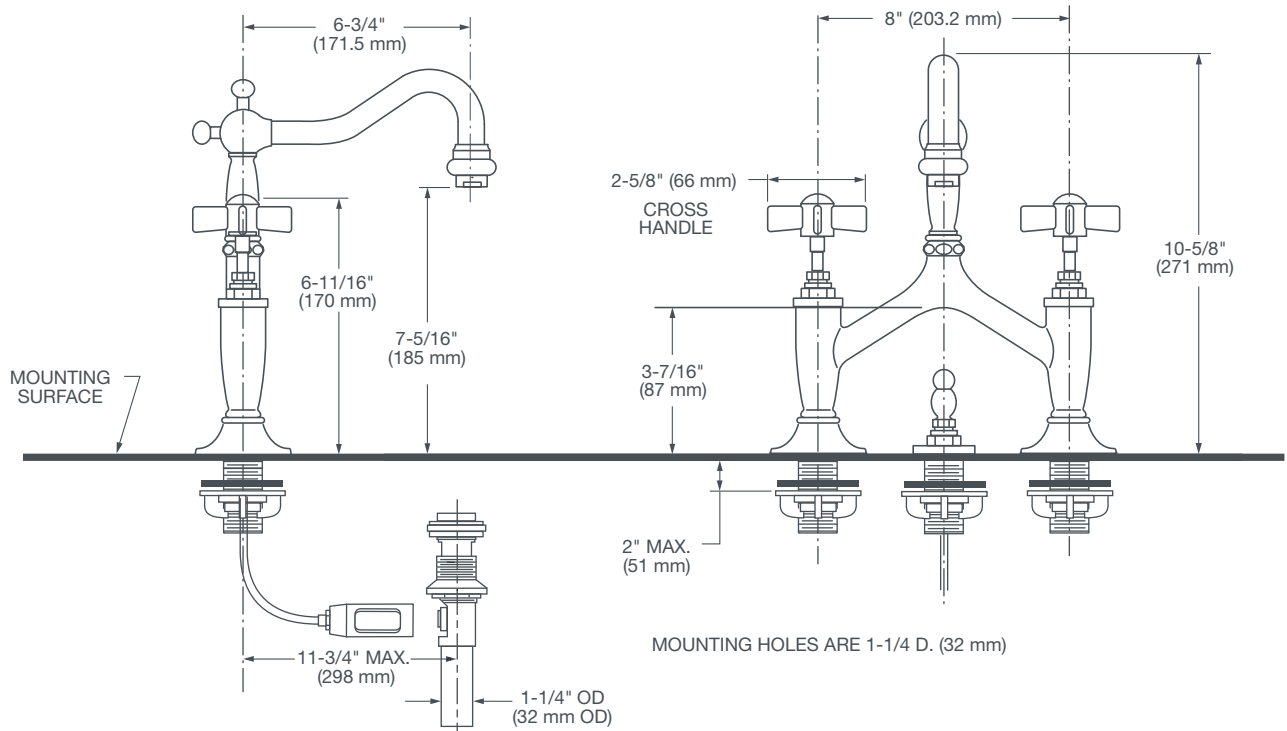


ROUGH-IN DIAGRAM
SHOWN ON NEXT PAGE



LANDFAIR[®]

BRIDGE LAVATORY FAUCET



IMPORTANT: These measurements are subject to change or cancellation. No responsibility is assumed for use of superseded or voided pages.

PART OF **LIXIL**