



LANDFAIR[®]

TOWEL BAR



- Decorative design
- Solid brass construction
- Concealed mounting
- Includes assembly hardware

AVAILABLE FINISHES

Polished Chrome
Carbon Bronze
Platinum Nickel

FINISH CODE

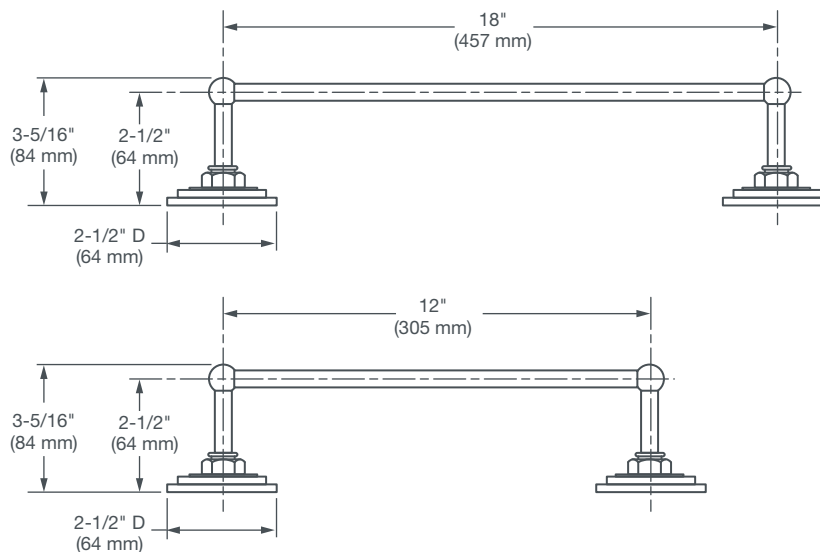
100
110
150

DESCRIPTION

18" Towel Bar
12" Towel Bar

PRODUCT NUMBER

D35107180.XXX
D35107120.XXX



IMPORTANT: These measurements are subject to change or cancellation. No responsibility is assumed for use of superseded or voided pages.

PART OF **LIXIL**