

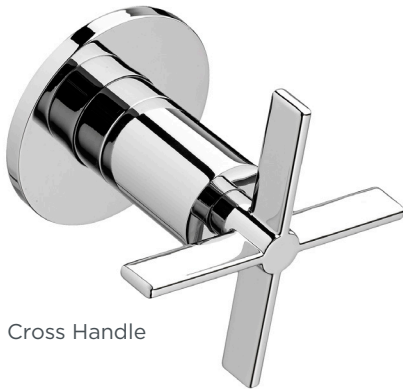


PERCY®

1/2" OR 3/4" WALL VALVE TRIM



Lever Handle



Cross Handle

- Cast brass valve
- Controls on/off and volume functions for a single shower component in a shower system
- 1/2" and 3/4" NPT available
- Available in cross and lever handles

CODES AND STANDARDS

Meets or Exceeds ASME A112.18.1/CSA B125.1

DESCRIPTION

- 1/2" or 3/4" Wall Valve Trim
 - Cross Handle
 - Lever Handle (ADA only)
- 1/2" Wall Rough Valve (required component)
- 3/4" Wall Rough Valve (required component)

PRODUCT NUMBER

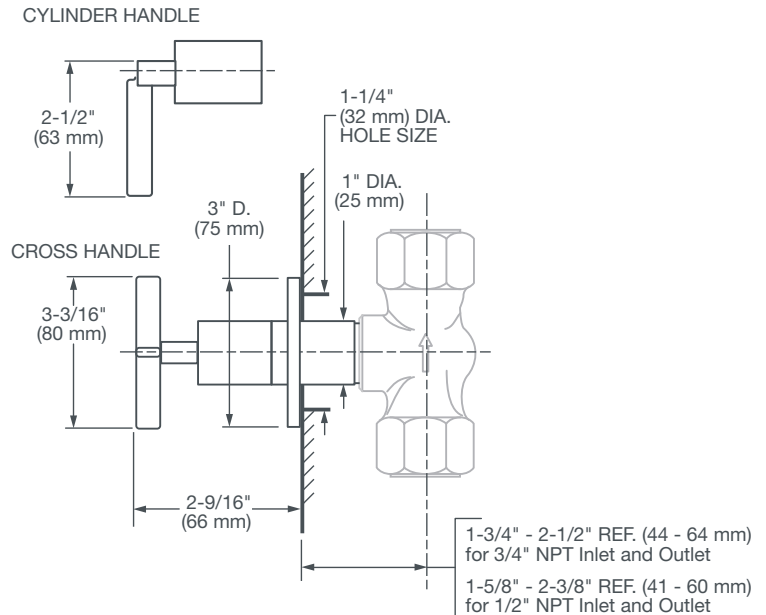
- D35105740.XXX
- D35105700.XXX
- D35000710.191
- D35000700.191

AVAILABLE FINISHES

- Polished Chrome
- Brushed Nickel

FINISH CODE

- 100
- 144



IMPORTANT: These measurements are subject to change or cancellation. No responsibility is assumed for use of superseded or voided pages.

PART OF LIXIL

©2017 AS America Inc.

Revised 2/17



Meets the Americans with Disabilities Act Guidelines and ANSI A117.1 Requirements for the physically challenged.

www.d xv.com