



PERCY®

PERSONAL SHOWER SET WITH HAND SHOWER



- Solid brass construction with mounting kit
- 5 ft. (1.5 m) decorative metal hose
- Contemporary single function hand shower
- Hand shower includes flow restrictor
- 24" adjustable bar with bracket
- Wall elbow
- Maximum hand shower flow rate: 2.0 gpm (7.6 L/min)
- Low hand shower flow rate: 1.8 gpm (6.8 L/min)

CODES AND STANDARDS

Meets or Exceeds ASME A112.18.1/CSA B125.1

CEC and CALGreen® Compliant

DESCRIPTION

Personal Shower Set with Hand Shower

2.0 gpm (7.6 L/min)

1.8 gpm (6.8 L/min)

Single Function Hand Shower Only

2.0 gpm (7.6 L/min)

1.8 gpm (6.8 L/min)

PRODUCT NUMBER

D35105780.XXX

D3510579C.XXX

D35105781.XXX

D3510578CXXX

AVAILABLE FINISHES

Polished Chrome

Brushed Nickel

FINISH CODE

100

144

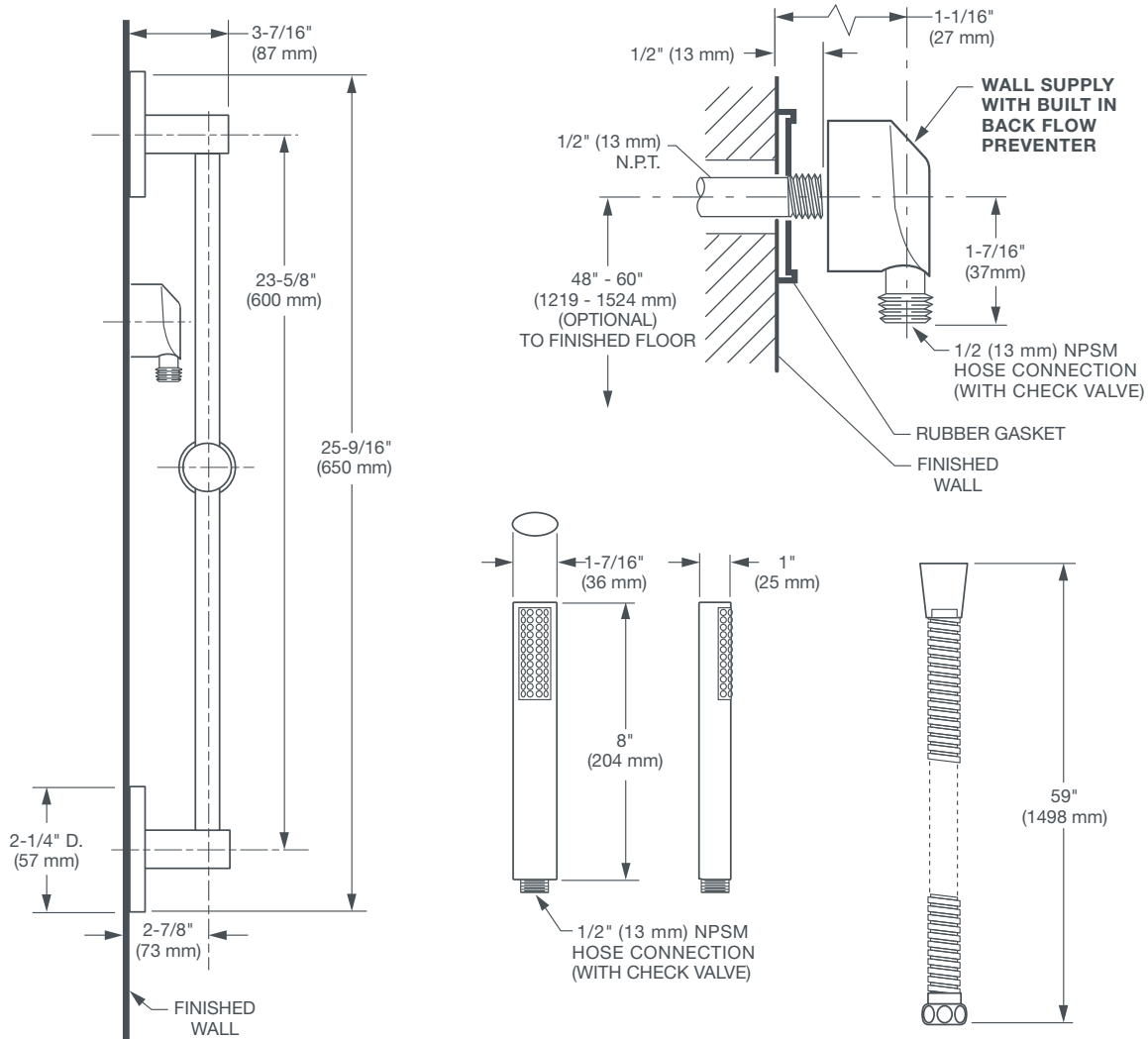
ROUGH-IN DIAGRAM
SHOWN ON NEXT PAGE

CALGreen® is a registered trademark of California Building Standards Commission.



PERCY[®]

PERSONAL SHOWER SET WITH HAND SHOWER



IMPORTANT: These measurements are subject to change or cancellation. No responsibility is assumed for use of superseded or voided pages.

PART OF **LIXIL**