



# PERCY®

## PRESSURE BALANCE TUB/SHOWER VALVE TRIM WITH DIVERTER



- Cast brass valve with built-in check stops
- Ceramic disc valve cartridge
- Adjustable hot limit safety stop
- Pressure balance cartridge maintains constant output temperature in response to changes in relative hot and cold supply pressures
- Integral diverter
- Concealed mounting hardware
- Red and Blue (hot/cold) indicator markings

### CODES AND STANDARDS

Meets or Exceeds ASME A112.18.1/CSA B125.1/ASSE 1016

### AVAILABLE FINISHES

Polished Chrome  
Brushed Nickel

### FINISH CODE

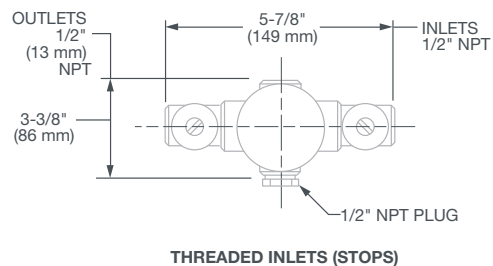
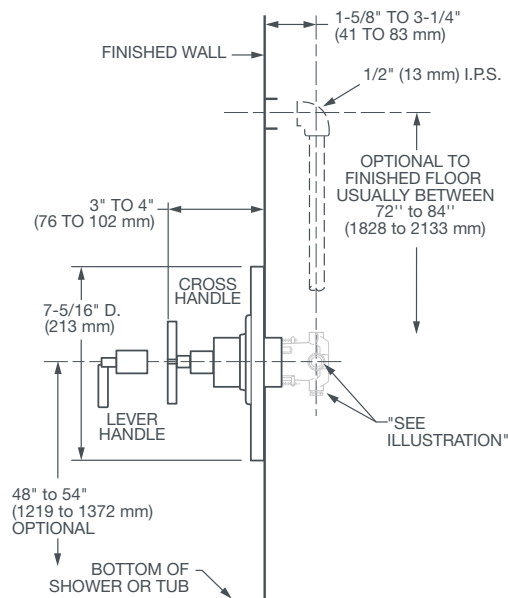
100  
144

### DESCRIPTION

Pressure Balance  
Tub/Shower Trim  
— Cross Handle  
— Lever Handle (ADA only)  
Pressure Balance Tub/Shower  
Rough Valve (required component)

### PRODUCT NUMBER

D35105640RB.XXX  
D35105600RB.XXX  
D35000600.191



**IMPORTANT:** These measurements are subject to change or cancellation. No responsibility is assumed for use of superseded or voided pages.

PART OF LIXIL

