



# PERCY®

## 2-HANDLE THERMOSTATIC VALVE TRIM



- Contemporary design with industrial elegance
- 1/8" Thin profile
- Forged brass escutcheon plate
- Concealed mounting hardware
- Rough-in valve sold separately

### CODES AND STANDARDS

Meets or Exceeds ASME A112.18.1/CSA B125.1

CEC and CALGreen® Compliant

### DESCRIPTION

2-Handle Thermostatic Valve Trim Kit

### PRODUCT NUMBER

D35105527.XXX

### REQUIRED VALVE OPTIONS

2-Handle Thermostatic Rough Valve with Volume Control

D35005511.191

2-Handle Thermostatic Rough Valve with 2-Way Diverter  
*(Discrete Functions)*

D35005522.191

2-Handle Thermostatic Rough Valve with 2-Way Diverter  
*(Shared Functions)*

D35005522S.191

2-Handle Thermostatic Rough Valve with 3-Way Diverter  
*(Discrete Functions)*

D35005523.191

2-Handle Thermostatic Rough Valve with 3-Way Diverter  
*(Shared Functions)*

D35005523S.191

### AVAILABLE FINISHES

Polished Chrome

### FINISH CODE

100

Brushed Nickel

144

ROUGH-IN DIAGRAM  
SHOWN ON NEXT PAGE

CALGreen® is a registered trademark of California Building Standards Commission.

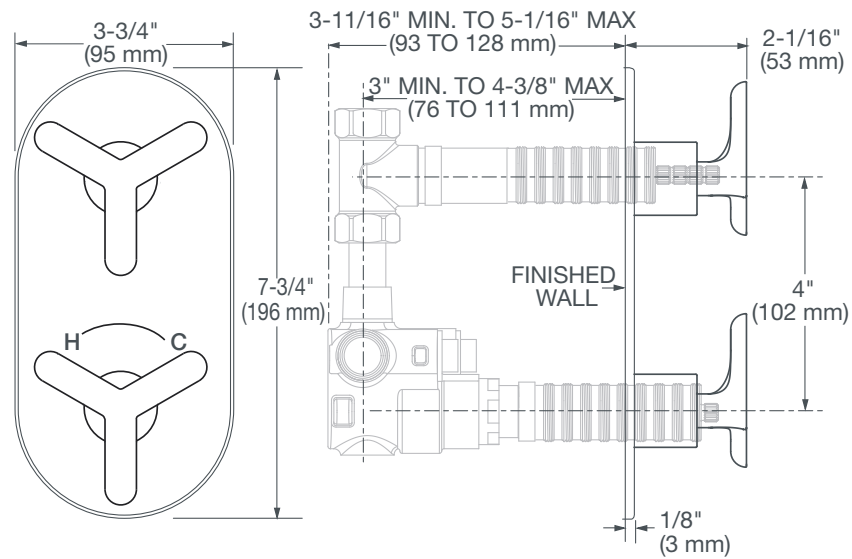


Meets the Americans with Disabilities Act Guidelines and ANSI A117.1 Requirements for the physically challenged.



# PERCY®

## 2-HANDLE THERMOSTATIC VALVE TRIM



**IMPORTANT:** These measurements are subject to change or cancellation. No responsibility is assumed for use of superseded or voided pages.