



# KEEFE®

## WIDESPREAD LAVATORY FAUCET



- Recessed vertical aerator
- Sculptural cast brass spout and side valves
- Ceramic disc valve cartridges
- 8" centers
- Flexible hose connections for 6"-12" installations
- Speed Connect® with 1-1/4" drain
- Lead Free—faucet contains  $\leq 0.25\%$  total lead content by weighted volume
- Low flow rate: 1.2 gpm (4.5 L/min)
- Red and Blue (hot/cold) indicator markings on handles

### CODES AND STANDARDS

Meets or Exceeds ASME A112.18.1/  
CSA B125.1/NSF 61/Section 9

EPA WaterSense® High Efficiency  
Lavatory Faucet Specification

Certified Compliant with 0.25% Weighted  
Average Lead Content Regulations

### AVAILABLE FINISHES

Polished Chrome  
Brushed Nickel

### FINISH CODE

100  
144

### DESCRIPTION

Widespread Faucet

### PRODUCT NUMBER

D35104800RB.XXX



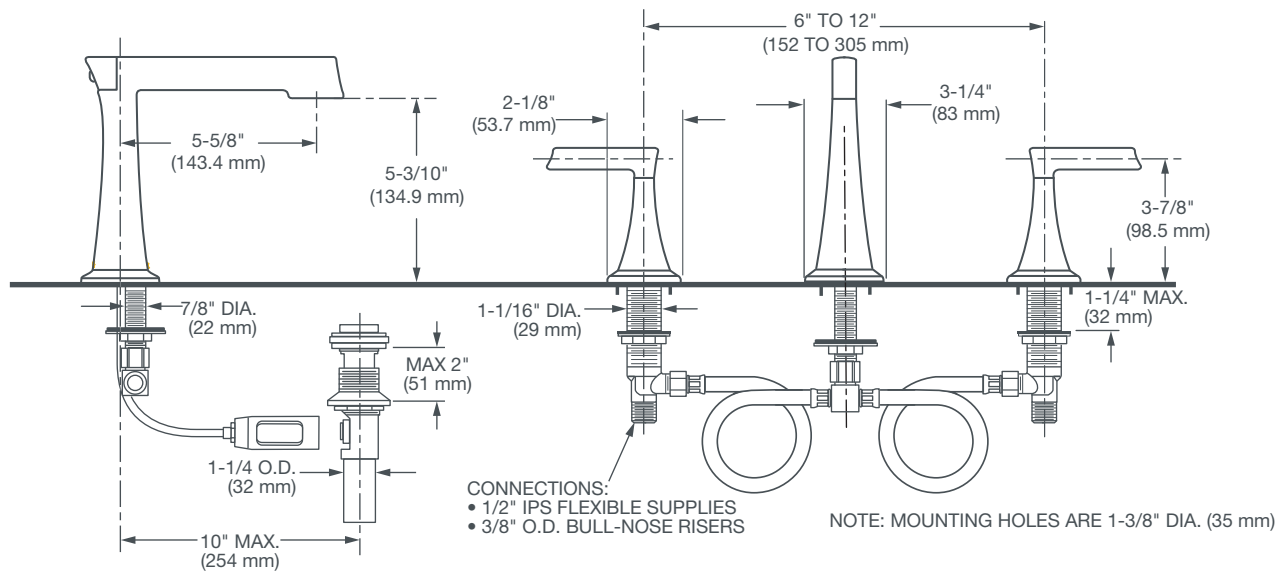
ROUGH-IN DIAGRAM  
SHOWN ON NEXT PAGE



Meets the Americans with Disabilities Act  
Guidelines and ANSI A117.1 Requirements  
for the physically challenged.



# KEEFE® WIDESPREAD LAVATORY FAUCET



**IMPORTANT:** These measurements are subject to change or cancellation.  
No responsibility is assumed for use of superseded or voided pages.

PART OF **LIXIL**