



KEEFE®

PRESSURE BALANCE TUB/SHOWER VALVE TRIM WITH DIVERTER



- Cast brass valve with built-in check stops
- Ceramic disc valve cartridge
- Adjustable hot limit safety stop
- Pressure balance cartridge maintains constant output temperature in response to changes in relative hot and cold supply pressures
- Integral diverter
- Concealed mounting hardware
- Red and Blue (hot/cold) indicator markings

CODES AND STANDARDS

Meets or Exceeds ASME A112.18.1/CSA B125.1/ASSE 1016

AVAILABLE FINISHES

Polished Chrome
Brushed Nickel

FINISH CODE

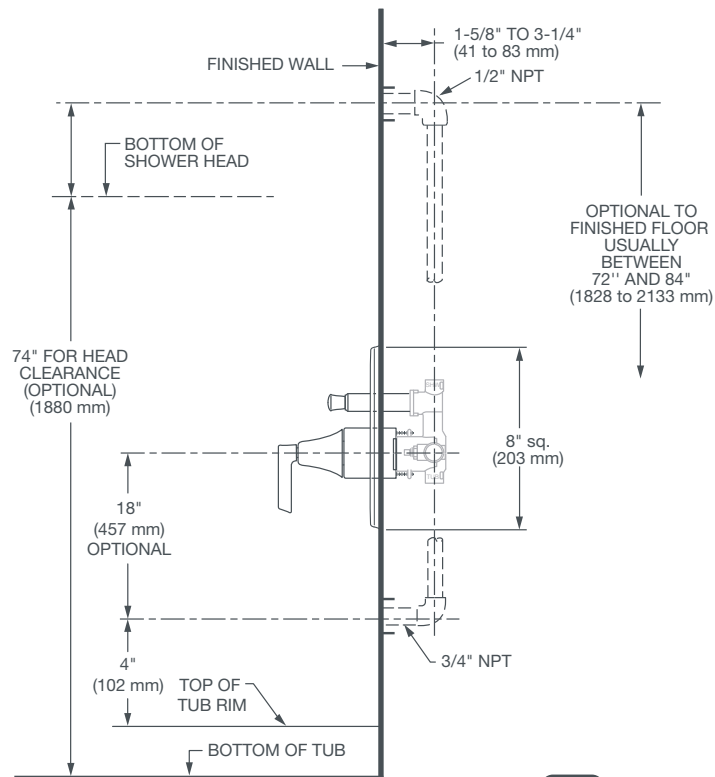
100
144

DESCRIPTION

Pressure Balance
Tub/Shower Trim
Tub/Shower Rough Valve
(required component)

PRODUCT NUMBER

D35104600RB.XXX
D35000600.191



IMPORTANT:

These measurements are subject to change or cancellation.

No responsibility is assumed for use of superseded or voided pages.

PART OF LIXIL



Meets the Americans with Disabilities Act Guidelines and ANSI A117.1 Requirements for the physically challenged.