

KEEFE®

SINGLE LEVER AND VESSEL LAVATORY FAUCETS



- Cast brass spout and body with exposed water delivery
- Ceramic disc valve cartridge
- 3/8" Compression braided, stainless steel flexible supply hose
- Speed Connect® with 1-1/4" drain
- Lead Free—faucet contains $\leq 0.25\%$ total lead content by weighted volume
- Low flow rate: 1.2 gpm (4.5 L/min)
- Red and Blue (hot/cold) indicator markings at base of handle

CODES AND STANDARDS

Meets or Exceeds ASME A112.18.1/
CSA B125.1/NSF 61/Section 9

EPA WaterSense® High Efficiency
Lavatory Faucet Specification

Certified Compliant with 0.25% Weighted
Average Lead Content Regulations

AVAILABLE FINISHES

Polished Chrome
Brushed Nickel

FINISH CODE

100
144

DESCRIPTION

Single Control Monoblock
Lavatory Faucet
Single Control Monoblock
Vessel Faucet

PRODUCT NUMBER

D35104100RB.XXX
D35104150RB.XXX



ROUGH-IN DIAGRAM
SHOWN ON NEXT PAGE

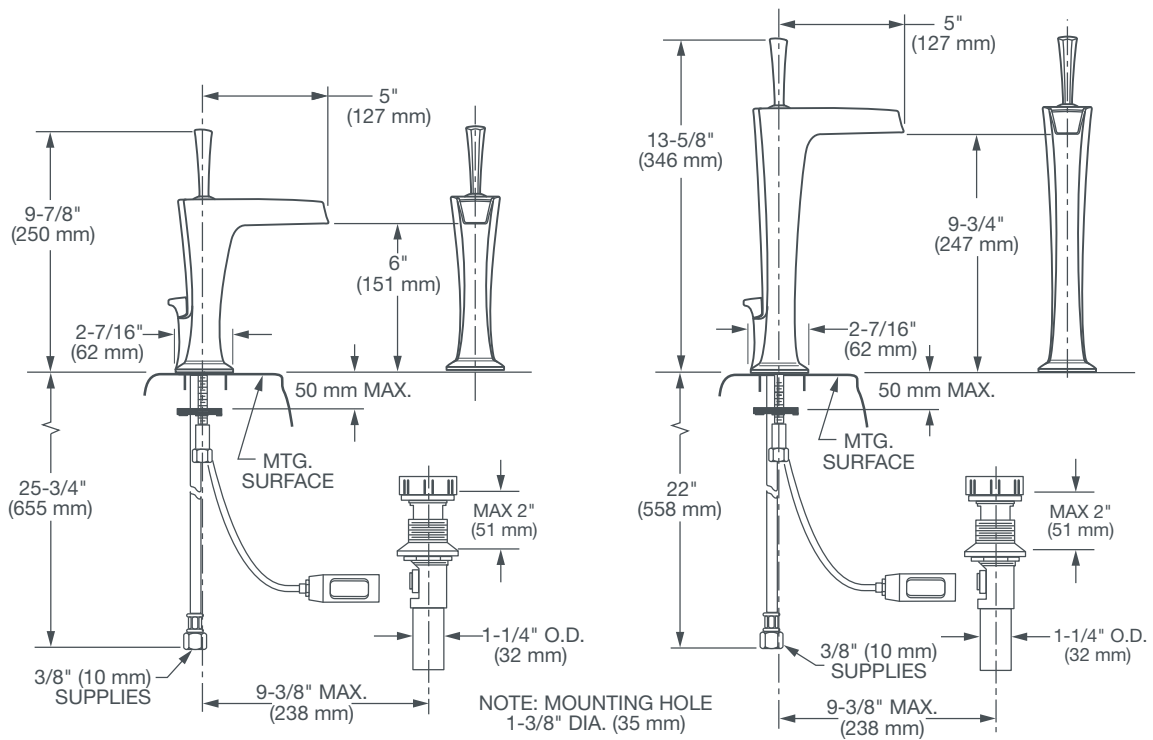


Meets the Americans with Disabilities Act
Guidelines and ANSI A117.1 Requirements
for the physically challenged.



KEEFE®

SINGLE LEVER AND VESSEL LAVATORY FAUCETS



IMPORTANT: These measurements are subject to change or cancellation. No responsibility is assumed for use of superseded or voided pages.

PART OF LIXIL