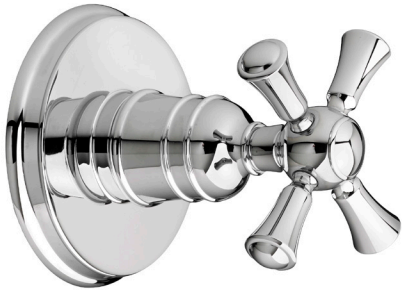




RANDALL®

3/2 OR 4/3 DIVERTER VALVE TRIM



- Directs water flow between 2 or 3 outlets
- 3/2 Port diverter allows for 1 inlet and 2 outlets
- 4/3 Port diverter allows for 1 inlet and 3 outlets
- 1/2" NPT inlets and outlets
- Available with cross handle only

CODES AND STANDARDS

Meets or Exceeds ASME A112.18.1/CSA B125.1

AVAILABLE FINISHES

Polished Chrome
Brushed Nickel
Platinum Nickel
Satin Brass

FINISH CODE

100
144
150
427

DESCRIPTION

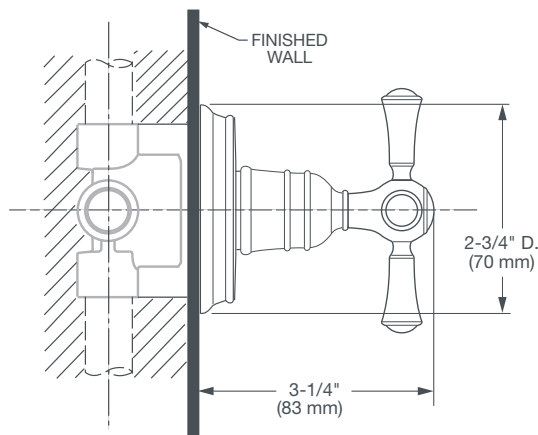
Handle Trim Kit for 2-Way or 3-Way In-Wall Diverter
3/2 Port Diverter Rough Valve (required component)
4/3 Port Diverter Rough Valve (required component)

PRODUCT NUMBER

D35102430.XXX

D35000420.191

D35000430.191



IMPORTANT: These measurements are subject to change or cancellation. No responsibility is assumed for use of superseded or voided pages.

PART OF LIXIL