



## FLASH SHOWER ROUGH-IN VALVE



- DZR brass Valve Body: Durable. Ideal material for prolonged contact with water.
- Flat Back: Allows valve to be mounted flush against cross brace for easy and solid installation.
- Flush plug: Allows valve body to be tested and flushed without the presence of the valve cartridge. Can be tested using flush plug with air (200 psi) or water (300 psi).
- Stainless Steel Retaining Ring with Flats: Secures test cap/cartridge in place and eliminates need for screws. Flats make it simple to loosen ring for quick, easy insertion/removal of flush plug/cartridge.
- Back-to-Back Capability: Hot and cold can be reversed quickly and easily. Exclusive Plaster Guard: Plaster guard is designed to protect valve and act as a guide during installation. It can serve as mounting support for thin-wall installations.
- Wide Rough-in Range: From 1-3/4" to 2-3/4" from finished wall to the back of the valve.
- Includes Screwdriver Stops for easy servicing at the valve
- Cartridge Ships with Trim

### CODES AND STANDARDS

Meets or Exceeds ASSE 1016 / ASME A112.18.1016 / CSA B125.16 ASME A112.18.1 / CSA B125.1

### DESCRIPTION

Flash Shower Rough-In Valve

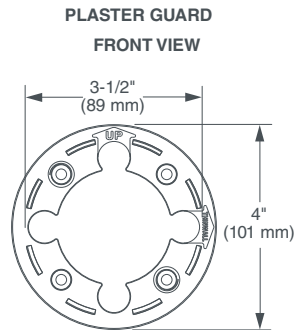
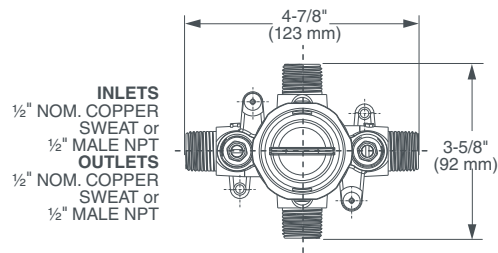
### PRODUCT NUMBER

D35101SS0.191

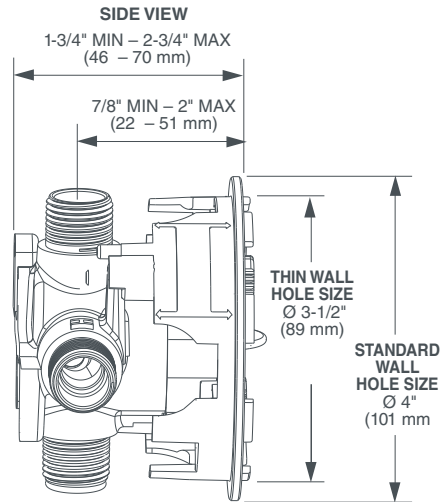
ROUGH-IN DIAGRAM  
SHOWN ON NEXT PAGE



# FLASH SHOWER ROUGH-IN VALVE



**NOTE:** TO AVOID SHOWER RISE OR OTHER RELATED ISSUES, **DO NOT** USE PEX CONNECTIONS ON ANY OF THE OUTLETS.



**IMPORTANT:** These measurements are subject to change or cancellation. No responsibility is assumed for use of superseded or voided pages.

PART OF **LIXIL**