



AMERICAN STANDARD

ASHBEE™ WIDESPREAD LAVATORY FAUCET



- Cast brass spout and side valves
- Ceramic disc valve cartridges
- Flexible hose connections for 6"-12" installations
- Includes 1-1/4" drain assembly
- Lead Free—faucet contains ≤0.25% total lead content by weighted volume
- 8" centers
- Maximum flow rate: 1.5 gpm (5.7 L/min)
- Low flow rate: 1.2 gpm (4.5 L/min)

CODES AND STANDARDS

Meets or Exceeds ASME A112.18.1/
CSA B125.1/NSF 61/Section 9

EPA WaterSense® High Efficiency
Lavatory Faucet Specification

Certified Compliant with 0.25% Weighted
Average Lead Content Regulations

AVAILABLE FINISHES

Polished Chrome
Brushed Nickel
Platinum Nickel

FINISH CODE

100
144
150



DESCRIPTION

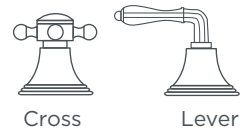
Widespread Lavatory Faucet
1.5 gpm (5.7 L/min)
— Cross Handles
— Lever Handles (ADA only)

1.2 gpm (4.5 L/min)
— Cross Handles
— Lever Handles (ADA only)

PRODUCT NUMBER

D35101840.XXX
D35101800.XXX

D3510184C.XXX
D3510180C.XXX



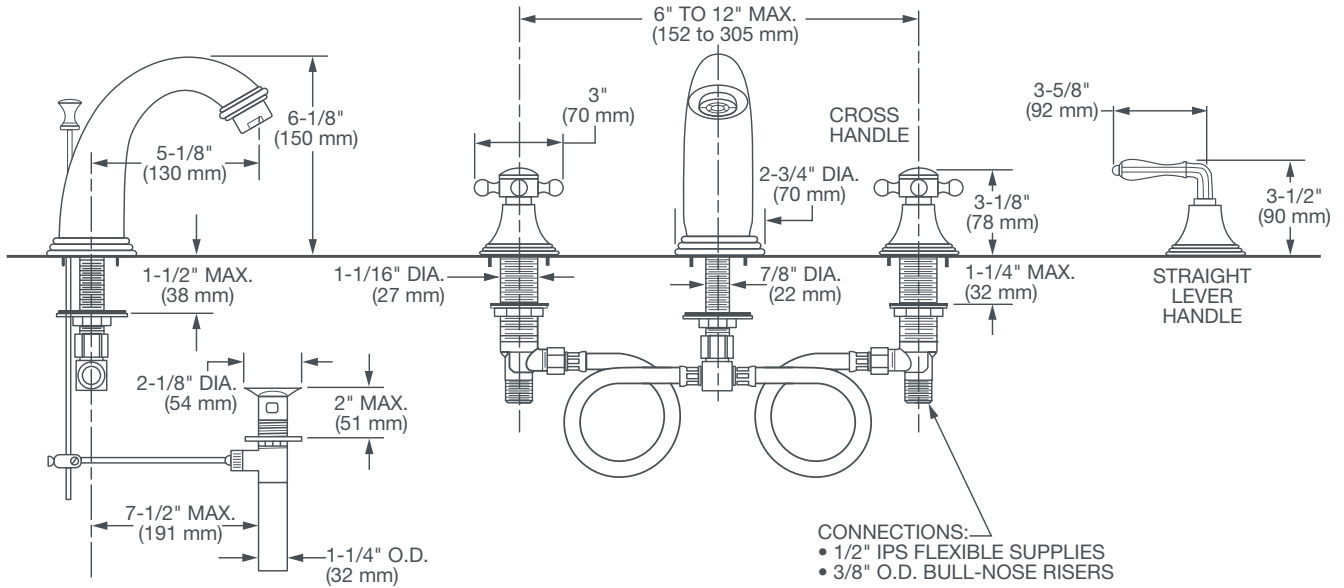
ROUGH-IN DIAGRAM
SHOWN ON NEXT PAGE



Meets the Americans with Disabilities Act
Guidelines and ANSI A117.1 Requirements
for the physically challenged.

ASHBEE™

WIDESPREAD LAVATORY FAUCET



NOTE: MOUNTING HOLES ARE 1-3/8" DIA. (35 mm)

IMPORTANT: These measurements are subject to change or cancellation. No responsibility is assumed for use of superseded or voided pages.

PART OF **LIXIL**