



# ASHBEE™

## PRESSURE BALANCE SHOWER VALVE TRIM



- Cast brass valve with built-in check stops
- Ceramic disc valve cartridge
- Adjustable hot limit safety stop
- ~~Pressure balance cartridge maintains constant output temperature in response to changes in relative hot and cold supply pressures~~
- Concealed mounting hardware
- Available in cross and lever handles



### CODES AND STANDARDS

Meets or Exceeds ASME A112.18.1/CSA B125.1/ASSE 1016

### AVAILABLE FINISHES

- Polished Chrome
- Brushed Nickel
- Platinum Nickel

### FINISH CODE

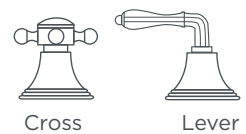
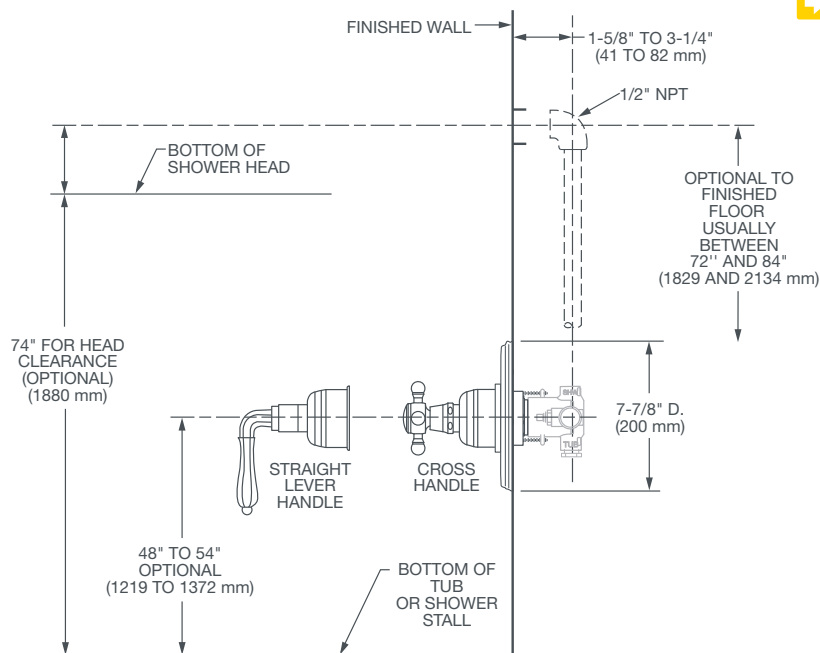
- 100
- 144
- 150

### DESCRIPTION

- Pressure Balance Shower Valve Trim
- Cross Handle
- Lever Handle (ADA only)
- Shower Rough Valve (required component)

### PRODUCT NUMBER

- ~~D35101540.XXX~~
- ~~D35101500.XXX~~
- ~~D35000500.191~~



**IMPORTANT:** These measurements are subject to change or cancellation. No responsibility is assumed for use of superseded or voided pages.

PART OF LIXIL



Meets the Americans with Disabilities Act Guidelines and ANSI A117.1 Requirements for the physically challenged.