



AMERICAN STANDARD

ASHBEE™

1/2" OR 3/4"

THERMOSTATIC VALVE TRIM



- Ceramic disc valve cartridge
- Cast brass valve body with built-in check stops
- Adjustable hot limit safety stop
- Wax thermostatic unit permits shuttle valve to move between the hot and cold seats to maintain the preselected constant water temperature
- Concealed mounting hardware
- Available in cross and lever handles

CODES AND STANDARDS

Meets or Exceeds ASME A112.18.1/CSA B125.1

AVAILABLE FINISHES

Polished Chrome
 Brushed Nickel
 Platinum Nickel

FINISH CODE

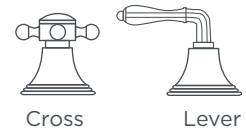
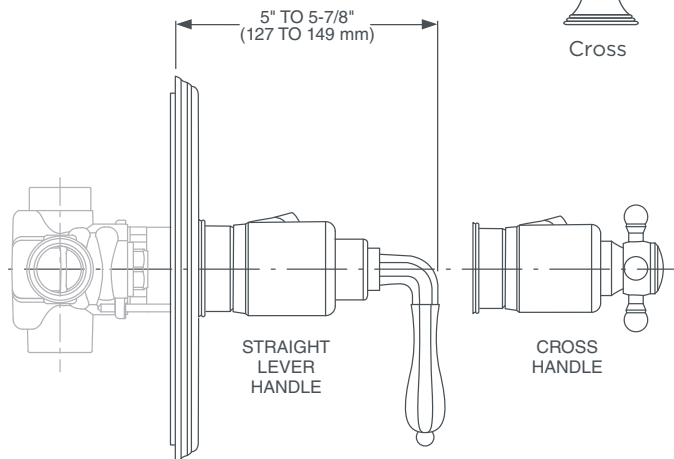
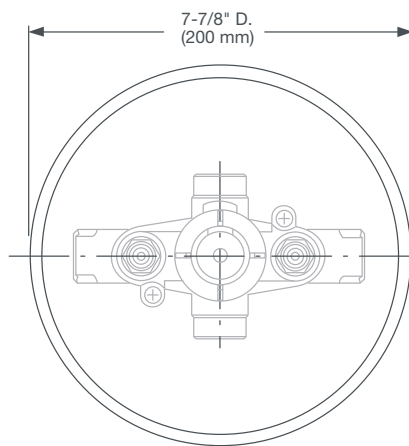
100
 144
 150

DESCRIPTION

1/2" or 3/4" Thermostatic Trim Kit
 — Cross Handle
 — Lever Handle (ADA only)
 1/2" Thermostatic Rough Valve (required component)
 3/4" Thermostatic Rough Valve (required component)

PRODUCT NUMBER

D35101514.XXX
 D35101510.XXX
 D35000510.191
 D35000530.191



IMPORTANT: These measurements are subject to change or cancellation. No responsibility is assumed for use of superseded or voided pages.

PART OF LIXIL



Meets the Americans with Disabilities Act Guidelines and ANSI A117.1 Requirements for the physically challenged.