



REM[®]

1/2" OR 3/4" THERMOSTATIC VALVE TRIM



- European minimalist design
- Ceramic disc valve cartridge
- Cast brass valve body with built-in check stops
- Adjustable hot limit safety stop
- Wax thermostatic unit permits shuttle valve to move between the hot and cold seats to maintain the preselected constant water temperature

CODES AND STANDARDS

Meets or Exceeds ASME A112.18.1/CSA B125.1/ASSE 1016

AVAILABLE FINISHES

Polished Chrome
Brushed Nickel

FINISH CODE

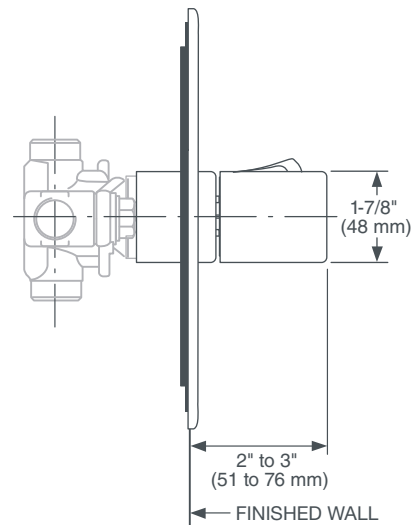
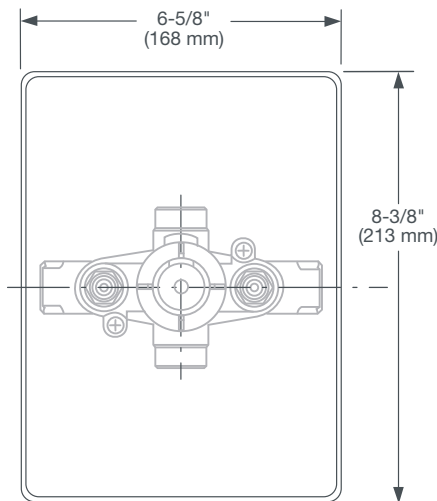
100
144

DESCRIPTION

1/2" or 3/4" Thermostatic Valve Trim
1/2" Thermostatic Rough Valve (required component)
3/4" Thermostatic Rough Valve (required component)

PRODUCT NUMBER

D35100510.XXX
D35000510.191
D35000530.191



IMPORTANT: These measurements are subject to change or cancellation. No responsibility is assumed for use of superseded or voided pages.

PART OF **LIXIL**



Meets the Americans with Disabilities Act Guidelines and ANSI A117.1 Requirements for the physically challenged.