

EQUILITY™

ONE-PIECE RIGHT HEIGHT®
ELONGATED SINGLE FLUSH TOILET

D22690A109.415 - Left-Hand Trip Lever
D22690A108.415 - Right-Hand Trip Lever



FEATURES

- Elongated bowl in contemporary design
- Made of vitreous china
- 12" (305 mm) rough-in
- Siphon action jetted bowl with smooth-sided, concealed trapway
- High efficiency, low consumption 1.28 gpf/4.8 Lpf
- EverClean® surface inhibits the growth of stain- and odor-causing bacteria, mold, and mildew on the surface
- Fully glazed
- Rim height at 16-1/2" (419 mm) for accessible application
- Durable, slow-close telescoping seat made from polypropylene plastic
- 3" Flush valve
- Colored-matched bolt hole covers

DIMENSIONS

NOMINAL DIMENSIONS

30-3/16" x 14" x 30-13/16" (767 x 356 x 783 mm)

WATER SPOT

7-7/8" (200 mm) wide

9-1/4" (235 mm) length

5-1/2" (140 mm) distance to rim

COLORS/FINISHES

Canvas White (415)

COMPONENTS

- 5025A15G.415** Contemporary Toilet Seat
Elongated, Slow-Close, Topmount,
Easy Lift Off, Telescoping
- 735222-400.415** Tank Cover
- 7381891-200-XXX0A** Plated Trip Lever — Right-Hand
Satin Nickel (295), Polished Nickel (008)
- 7381887-200-XXX0A** Plated Trip Lever — Left-Hand
(optional component)
Satin Nickel (295), Polished Nickel (008)

COMPLIANCE CERTIFICATIONS

Meets or Exceeds ASME A112.19.2-2008/CSA B45.1-08

EPA WaterSense® Certified

CEC and CALGreen® Compliant

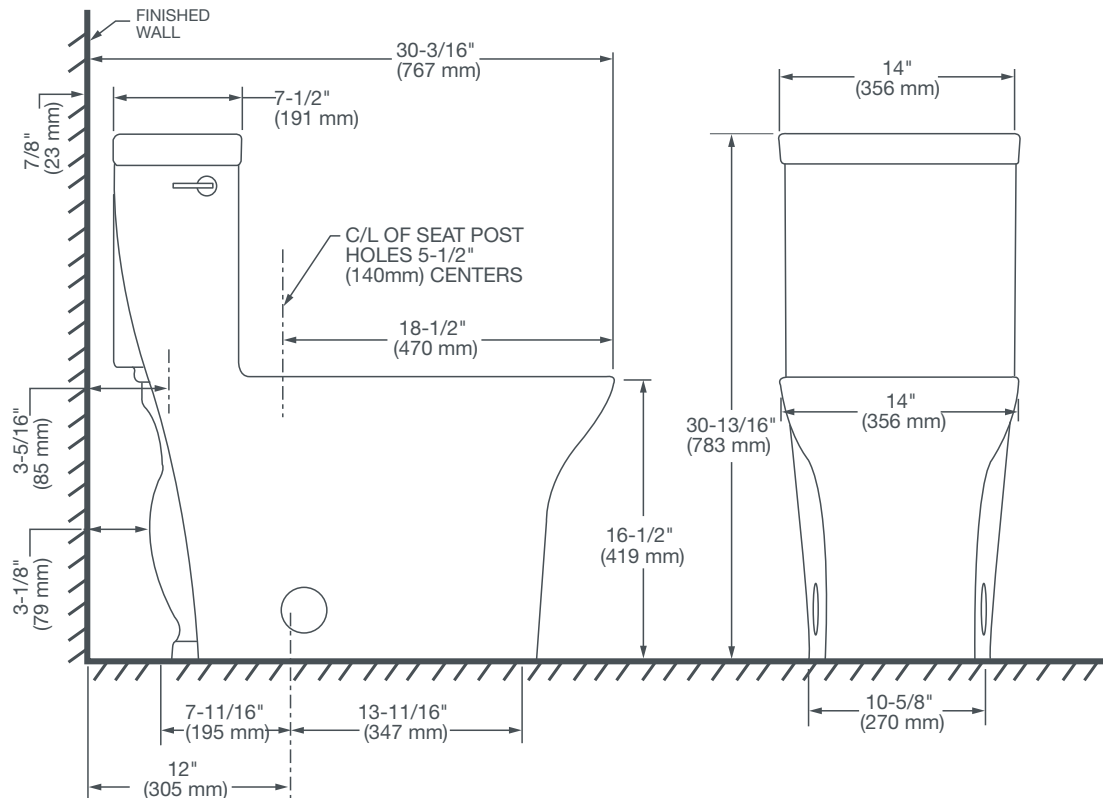


ROUGH IN DIAGRAM SHOWN
ON NEXT PAGE



EQUILITY™

ONE-PIECE RIGHT HEIGHT® ELONGATED SINGLE FLUSH TOILET



NOTES:

This toilet is designed to rough-in at a minimum dimension of 12" (305 mm) from finished wall to C/L of outlet. Supply not included with fixture and must be ordered separately.

* Dimensions shown for location of supply is suggested.

IMPORTANT:

Dimensions of fixtures are nominal and may vary within the range of tolerance established by ANSI Standard A112.19.2. These measurements are subject to change or cancellation. No responsibility is assumed for use of superseded or voided pages.

PART OF LIXIL