



ST. GEORGE[®]

TWO-PIECE ELONGATED TOILET



D2215AA104.XXX

FEATURES

- Elongated bowl design with exposed trapway
- Vitreous china
- Right Height[®]
- High efficiency (1.28 gpf/4.8 Lpf)
- Elongated siphon action jetted bowl with 2" fully-glazed trapway
- Includes color-matched bolt caps
- Exposed trapway design
- Includes design matched Duroplast™ slow-close seat

DIMENSIONS

NOMINAL DIMENSIONS

30-13/16" x 17-9/16" x 31-1/2" (783 x 446 x 800 mm)

WATER SPOT

8-3/4" (222 mm) wide

10" (253 mm) length

5-3/4" (147 mm) distance to rim

COLORS/FINISHES

Canvas White (415), Biscuit (071)

COMPONENTS

D24000A104.XXX Tank

D23015A100.XXX Elongated Bowl

5004A20G.XXX Traditional Elongated Toilet Seat
Topmount Easy Lift Off

735196-400.XXX Tank Cover

738835-XXX0A Plated Trip Levers (optional component)
Satin Nickel (295)
Polished Nickel (008)
Carbon Bronze (110)

COMPLIANCE CERTIFICATIONS

Meets or Exceeds ASME A112.19.2/CSA B45.1

Includes Flush Performance, Ball Pass Diameter, Trap Seal
Depth and all Dimensions



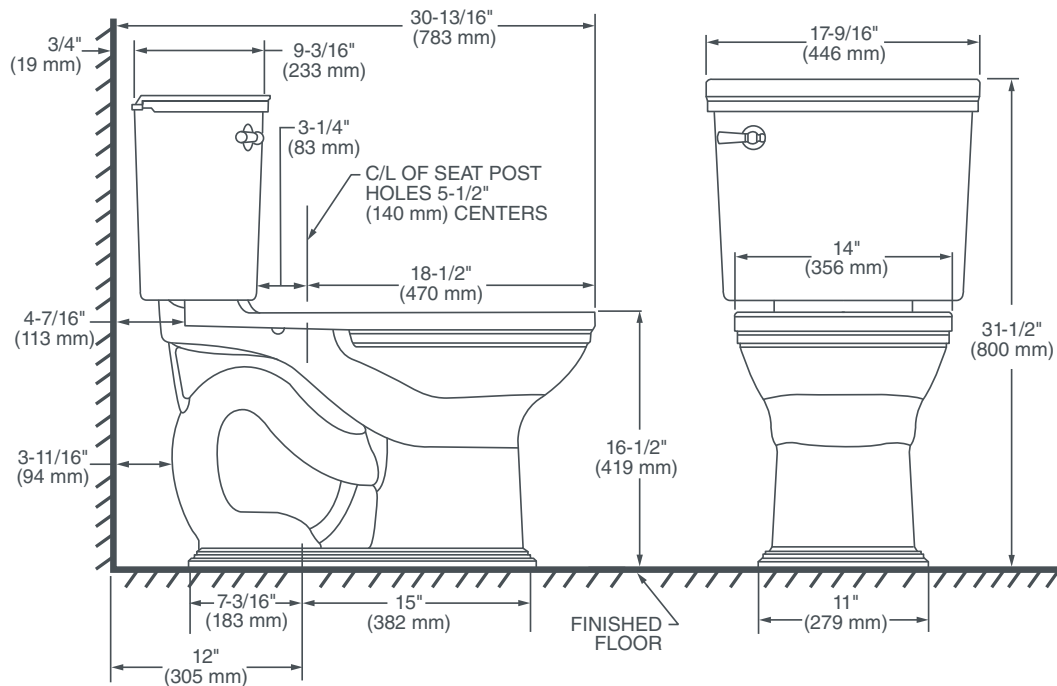
Meets the Americans with Disabilities Act Guidelines
and ANSI A117.1 Requirements for Accessible and
Usable Building Facilities-Check Local Codes.

ROUGH-IN DIAGRAM SHOWN
ON NEXT PAGE



ST. GEORGE[®]

TWO-PIECE ELONGATED TOILET



IMPORTANT:

Water supply on the wall is required at 3-3/4" or 9" from centerline of the toilet (see rough-in).

First suggested position is hidden behind the toilet. The geometry of the toilet gives space for this installation.

The second suggested position is next to the toilet. Between these two positions, the space for the supply between wall and toilet is limited to 3-1/4". In this case, check your supply and hose dimensions.

NOTES:

This toilet is designed to rough-in at a minimum dimension of 12" (305 mm) from finished wall to C/L of outlet.

Supply not included with fixture and must be ordered separately.

*Dimensions shown for location of supply is suggested.

IMPORTANT:

Dimensions of fixtures are nominal and may vary within the range of tolerance established by ANSI Standard A112.19.2.

These measurements are subject to change or cancellation. No responsibility is assumed for use of superseded or voided pages.

PART OF LIXIL