



# LOWELL™

## ONE-PIECE ELONGATED TOILET



### D22010C101.415

#### FEATURES

---

- Vitreous china
- Elongated bowl design
- High efficiency (1.28 gpf/4.8 Lpf)
- 4" flush valve with chemical resistant flapper
- Siphon action jetted bowl with a 2-1/8" trapway
- Playful and flowing one-piece design
- Normal bowl height 15"
- Includes a high quality Duroplast™ slow-close toilet seat
- 9-1/4" x 8-1/4" water surface area
- 12" rough-in
- Chrome metal trip lever

#### DIMENSIONS

---

##### NOMINAL DIMENSIONS

29-11/16" x 15-3/8" x 27-11/16" (754 x 391 x 703 mm)

##### WATER SPOT

8-1/4" (210 mm) wide

9-1/4" (235 mm) length

5-1/2" (140 mm) distance to rim

#### COLORS/FINISHES

---

Canvas White (415)

#### COMPONENTS

---

**5011A20G.415** Elongated, Slow-Close, Topmount,  
Easy Lift Off, Telescoping

**735195-400.415** Tank Cover

**738797-100.XXX05** Plated Trip Lever (optional component)  
Satin Nickel (295), Polished Nickel (008)

#### COMPLIANCE CERTIFICATIONS

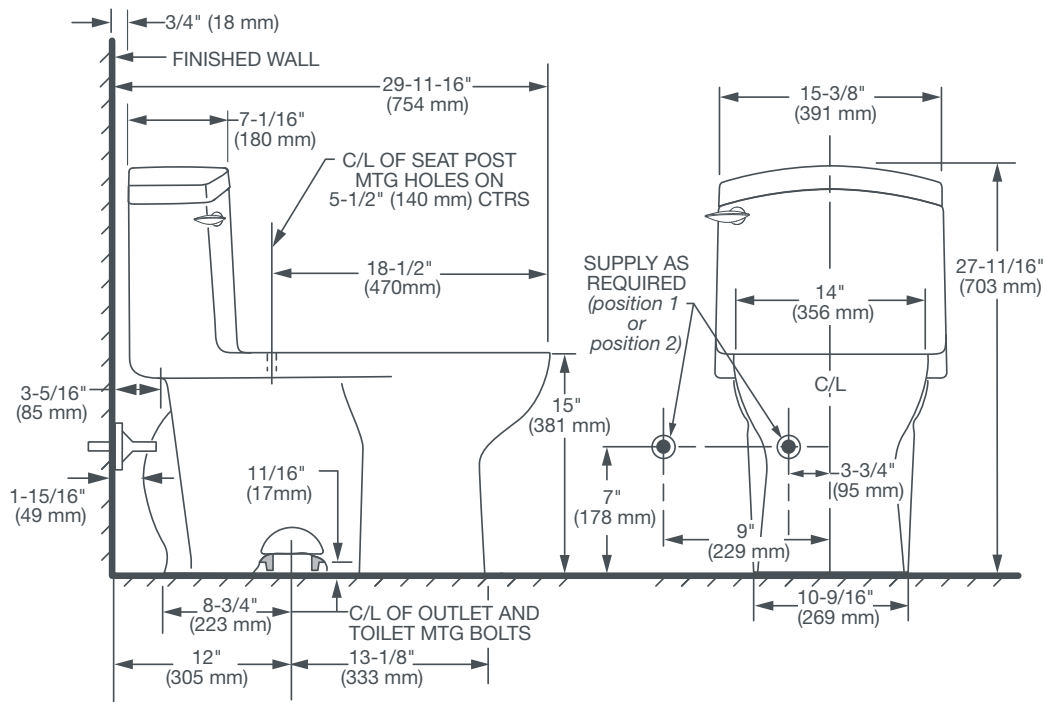
Meets or Exceeds ASME A112.19.2-2008/CSA B45.1-08



ROUGH IN DIAGRAM SHOWN  
ON NEXT PAGE



# LOWELL™ ONE-PIECE ELONGATED TOILET



## NOTES:

This toilet is designed to rough-in at a minimum dimension of 12" (305 mm) from finished wall to C/L of outlet.

Supply not included with fixture and must be ordered separately.

\* Dimensions shown for location of supply is suggested.

## IMPORTANT:

Dimensions of fixtures are nominal and may vary within the range of tolerance established by ANSI Standard A112.19.2.

These measurements are subject to change or cancellation. No responsibility is assumed for use of superseded or voided pages.

PART OF LIXIL