



ST. GEORGE[®]

ONE-PIECE ELONGATED TOILET



D22000C101.XXX

FEATURES

- Elongated bowl designed with attention to turn of the century detailing
- Vitreous china
- Right Height[®]
- High efficiency (1.28 gpf/4.8 Lpf)
- 2" fully-glazed concealed trapway
- Siphon action jetted bowl - 1,000 MaP
- PowerWash[®] rim scrubs bowl with each flush
- EverClean[®] Surface inhibits the growth of stain and odor causing bacteria, mold and mildew on the surface
- 3" flush valve with chemical resistant flapper
- 12" (305 mm) rough-in
- 16-1/2" (419 mm) rim height for accessible applications
- Includes design matched Duroplast[™] slow-close seat
- Color-matched bolt caps included

DIMENSIONS

NOMINAL DIMENSIONS

29-7/8" x 15" x 30-3/4" (758 x 380 x 781 mm)

WATER SPOT

8-1/4" (210 mm) wide

9-1/4" (235 mm) length

5-1/2" (140 mm) distance to rim

COLORS/FINISHES

Canvas White (415), Biscuit (071)

COMPONENTS

5004A20G.XXX Traditional Elongated Toilet Seat
Top Mount Easy Lift Off

735193-400.XXX Tank Cover

738835-XXX0A Plated Trip Levers (optional component)
Satin Nickel (295)
Polished Nickel (008)
Carbon Bronze (110)

COMPLIANCE CERTIFICATIONS

Meets or Exceeds ASME A112.19.2/CSA B45.1

Includes Flush Performance, Ball Pass Diameter, Trap Seal
Depth and all Dimensions

ROUGH-IN DIAGRAM SHOWN
ON NEXT PAGE

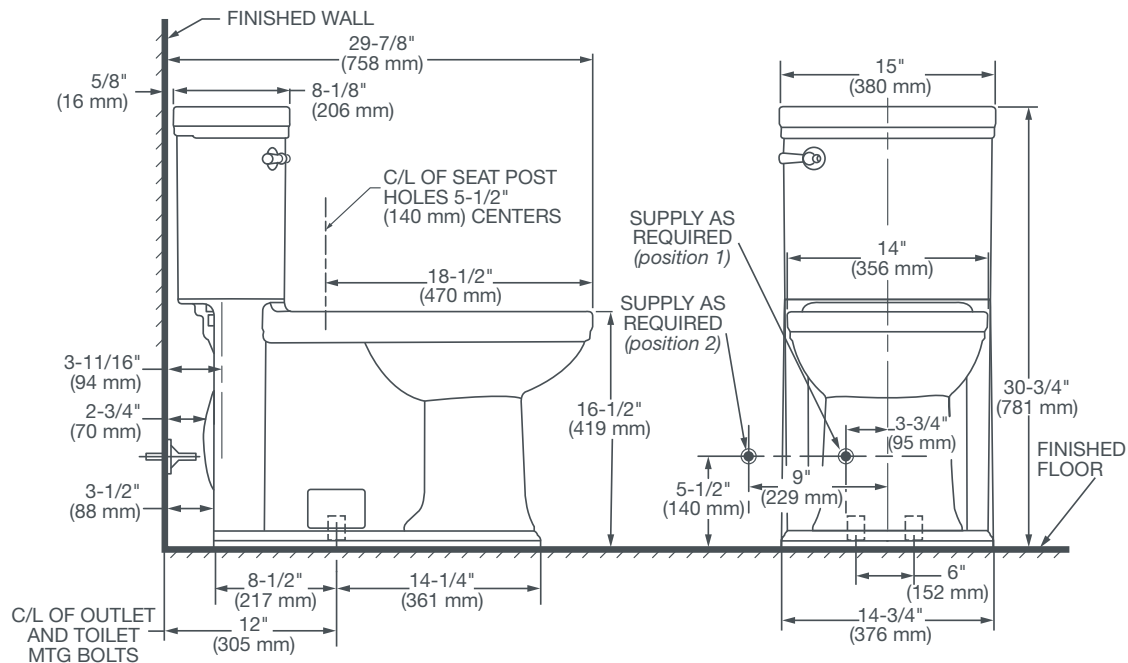


Meets the Americans with Disabilities Act Guidelines
and ANSI A117.1 Requirements for Accessible and
Usable Building Facilities-Check Local Codes.



ST. GEORGE[®]

ONE-PIECE ELONGATED TOILET



IMPORTANT:

Water supply on the wall is required at 3-3/4" or 9" from centerline of the toilet (see rough-in).

First suggested position is hidden behind the toilet. The geometry of the toilet gives space for this installation.

The second suggested position is next to the toilet. Between these two positions, the space for the supply between wall and toilet is limited to 3-1/4". In this case, check your supply and hose dimensions.

NOTES:

This toilet is designed to rough-in at a minimum dimension of 12" (305 mm) from finished wall to C/L of outlet.

Supply not included with fixture and must be ordered separately.

*Dimensions shown for location of supply is suggested.

IMPORTANT:

Dimensions of fixtures are nominal and may vary within the range of tolerance established by ANSI Standard A112.19.2.

These measurements are subject to change or cancellation. No responsibility is assumed for use of superseded or voided pages.

PART OF LIXIL