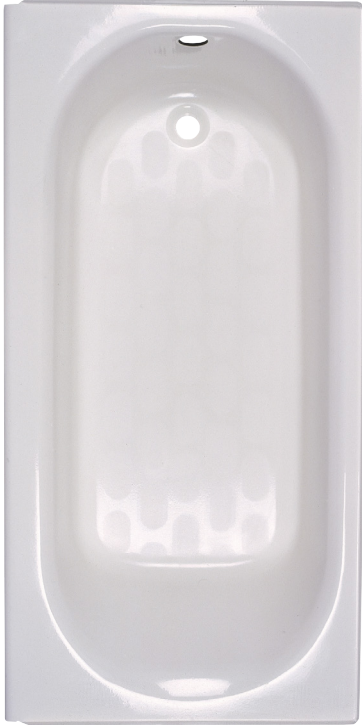




BYRDCLIFFE®

TUB



D02390202.415 Left Hand Outlet
D02391202.415 Right Hand Outlet

FEATURES

- Americast® brand engineered material
- Recess bath with integral apron and tiling flange
- Integral lumbar support
- Beveled headrest
- Full slip-resistant coverage
- End drain outlet
- Drain not included
- Integral base

DIMENSIONS

NOMINAL DIMENSIONS

60" x 30" x 14" (1524 x 762 x 356 mm)

COLORS/FINISHES

Canvas White (415),
Polished Chrome (002), Satin Nickel (295)

COMPONENT

D1640305.XXX Deep Soak® Drain

COMPLIANCE CERTIFICATIONS

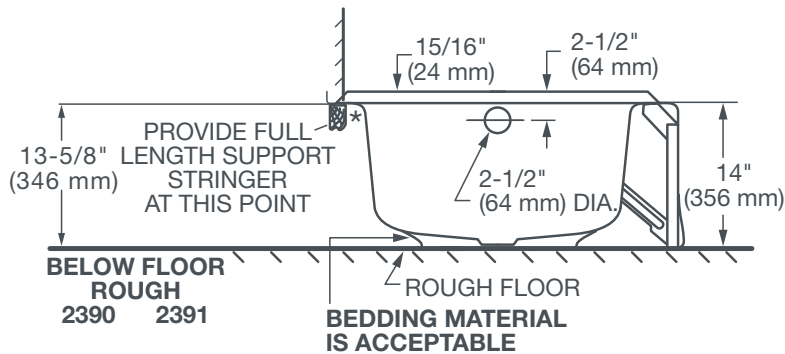
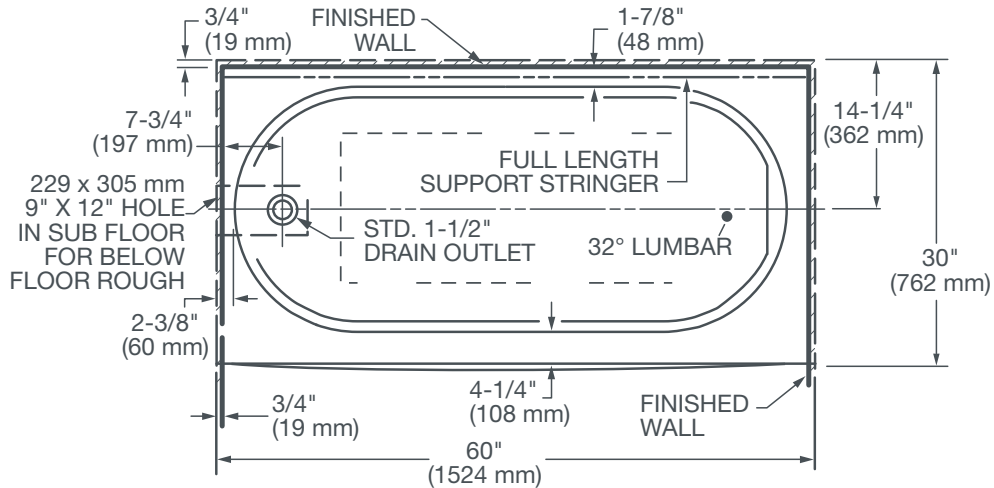
Meets or Exceeds ASME A112.19.1/CSA B45.2/
ASTM F462

ROUGH IN DIAGRAM SHOWN
ON NEXT PAGE



BYRDCLIFFE[®]

TUB



* **PLUMBER NOTE:** PROVIDE FULL LENGTH SUPPORT STRINGER AT THIS POINT

NOTES:

Refer to installation instructions supplied with bath.
Bath faucet not included and must be ordered separately.
Refer to installation instructions supplied with fitting.
Concealed piping not furnished.
Provide suitable reinforcement for all wall supports.

IMPORTANT:

Dimensions of fixtures are nominal and may vary within the range of tolerance established by ASME A112.19.1/CSA B45.2/ASTM F462. These measurements are subject to change or cancellation. No responsibility is assumed for use of superseded or voided pages.