



VIBRATO™

WIDESPREAD LAVATORY FAUCET



- Weightless lace design interpreted through robust metals
- Traditional, decorative appeal with the complexity of multiple waterways forging a path through a unified conventional aerated flow
- Ceramic disc valve cartridges
- 8" centers
- 6"–12" flexible installation
- Lead Free—faucet contains ≤0.25% total lead content by weighted volume
- Maximum flow rate: 1.2 gpm (4.5 L/min)

CODES AND STANDARDS

Meets or Exceeds ASME A112.18.1/
CSA B125.1/NSF 61/Section 9

EPA WaterSense® High Efficiency
Lavatory Faucet Specification

Certified Compliant with 0.25% Weighted
Average Lead Content Regulations

AVAILABLE FINISHES

Butler Finish

FINISH CODE

435

DESCRIPTION

Widespread Faucet
1.2 gpm (4.5 L/min)

PRODUCT NUMBER

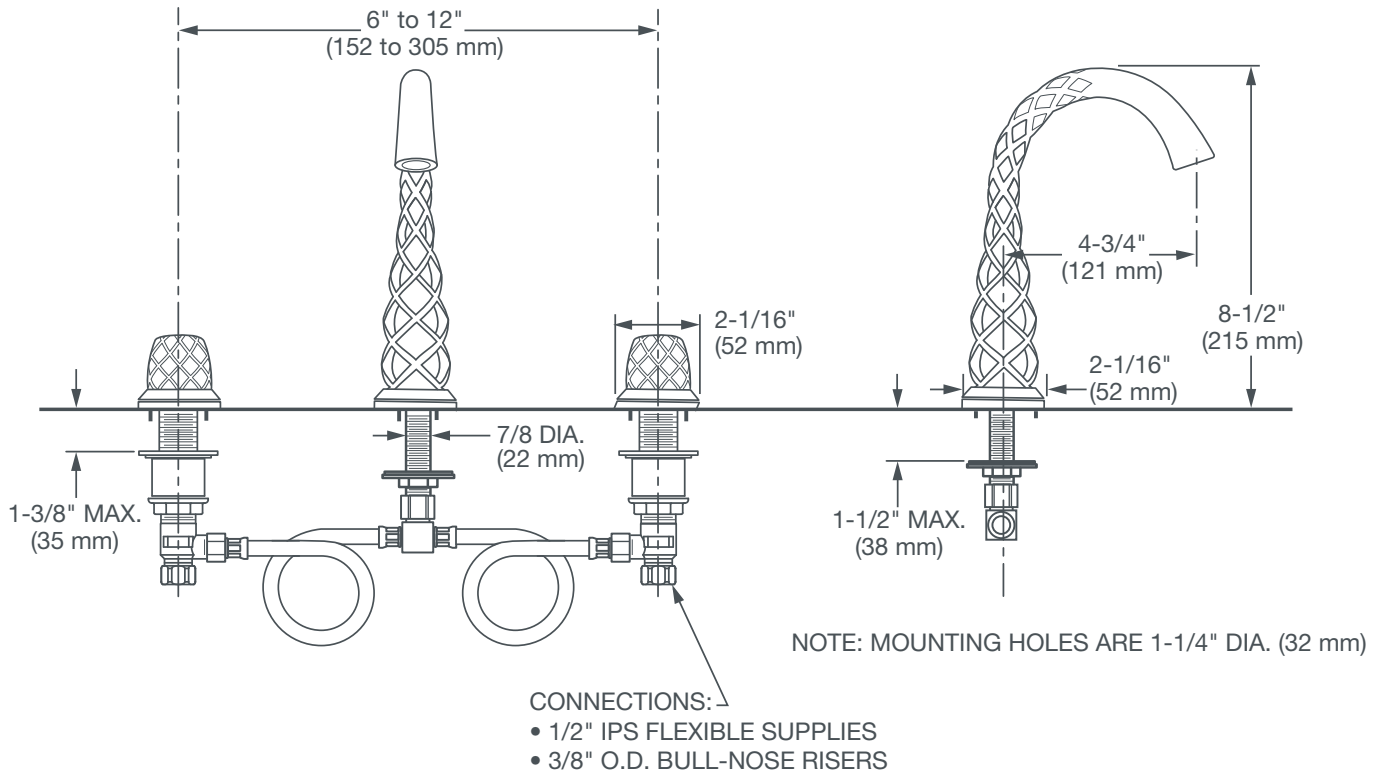
D31201801.435



ROUGH-IN DIAGRAM
SHOWN ON NEXT PAGE

VIBRATO™

WIDESPREAD LAVATORY FAUCET



IMPORTANT: These measurements are subject to change or cancellation. No responsibility is assumed for use of superseded or voided pages.