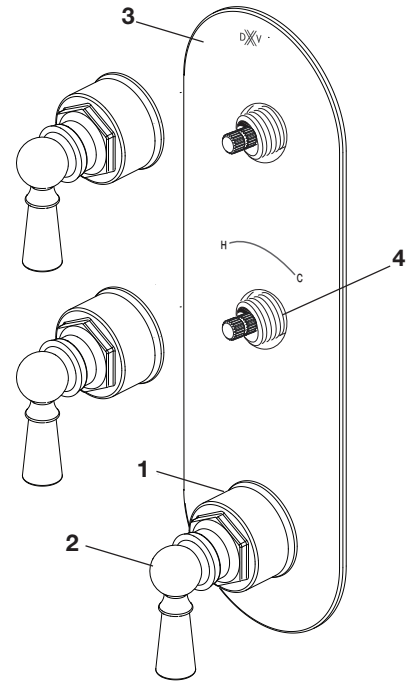
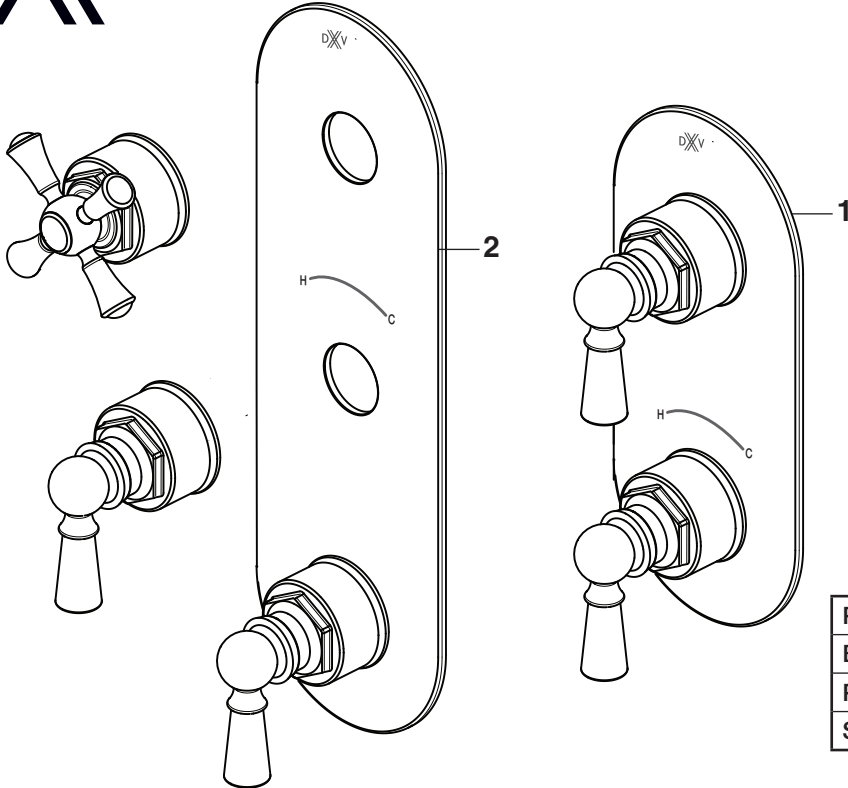


1 HANDLE INSTALLATION

- Push HANDLE (2) onto SPLINE (4).
- NOTE:** Check that the cartridge is in neutral position.
- Tighten HANDLE (2) by rotating HANDLE ESCUTCHEON (1) clockwise until flushed against ESCUTCHEON PLATE (3).
- Follow the same steps for other handles.
- NOTE:** Check that the cartridge is in neutral position.



DXV



Oak Hill®
Thermostatic Mixing
Valve Trim Kit
 MODEL NUMBERS

D351552X
D351553X

Replace the "YYY" with appropriate finish code

POLISHED CHROME	100
BRUSHED NICKEL	144
PLATINUM NICKEL	150
SATIN BRASS	427

1	M970433-YYY0A	2	HANDLE ESCUTCHEON
2	M970434-YYY0A	3	HANDLE ESCUTCHEON