

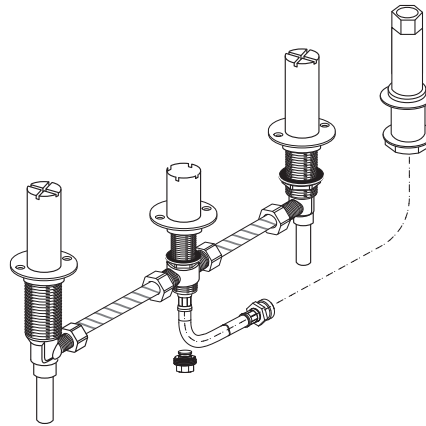
# INSTALLATION INSTRUCTIONS



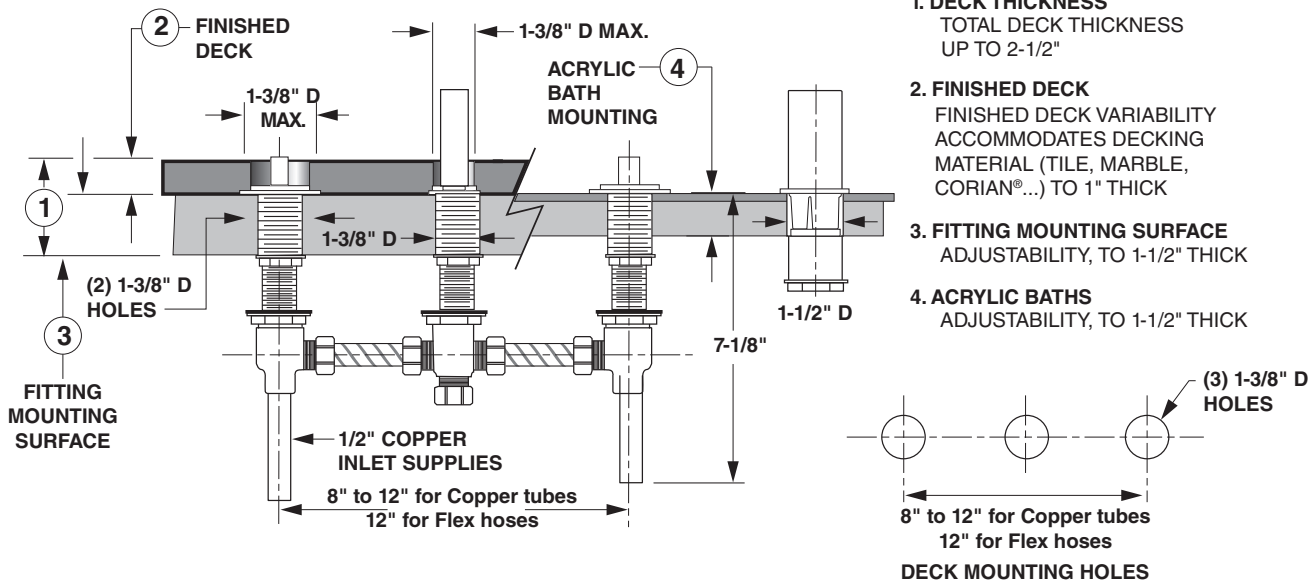
## DXV Universal Deck Mount Tub System Rough Valve Kit

Model D35000910

Thank you for selecting DXV. To ensure that your installation proceeds smoothly, please read these instructions carefully before you begin.

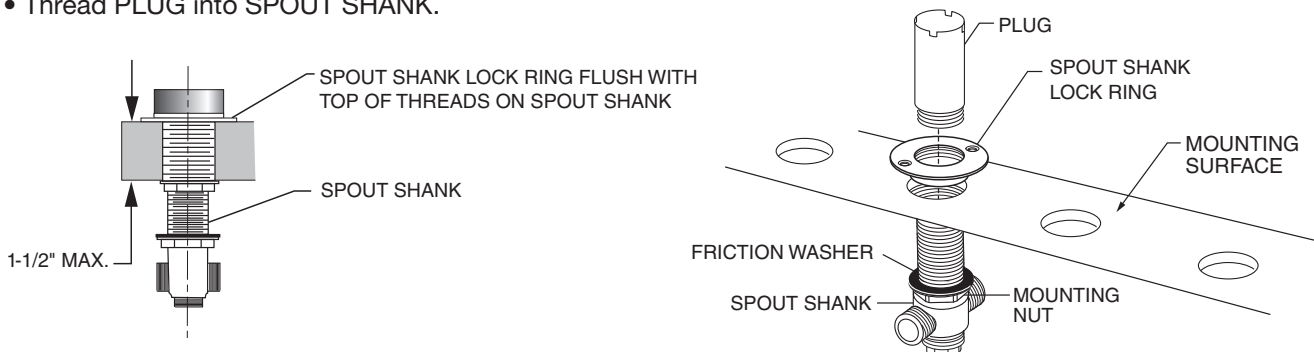


### 1 ROUGHING-IN



### 2 MOUNT SPOUT SHANK

- Drill holes in mounting deck as shown. The maximum allowable deck thickness is 1-1/2".
- Untread PLUG from SPOUT SHANK.
- Insert the SPOUT SHANK through the mounting deck from below. Assemble the SPOUT SHANK LOCK RING so it is flush with the top of the threads on the SHANK.
- Tighten SPOUT SHANK MOUNTING NUT securely.
- Thread PLUG into SPOUT SHANK.



SAVE FOR FUTURE USE

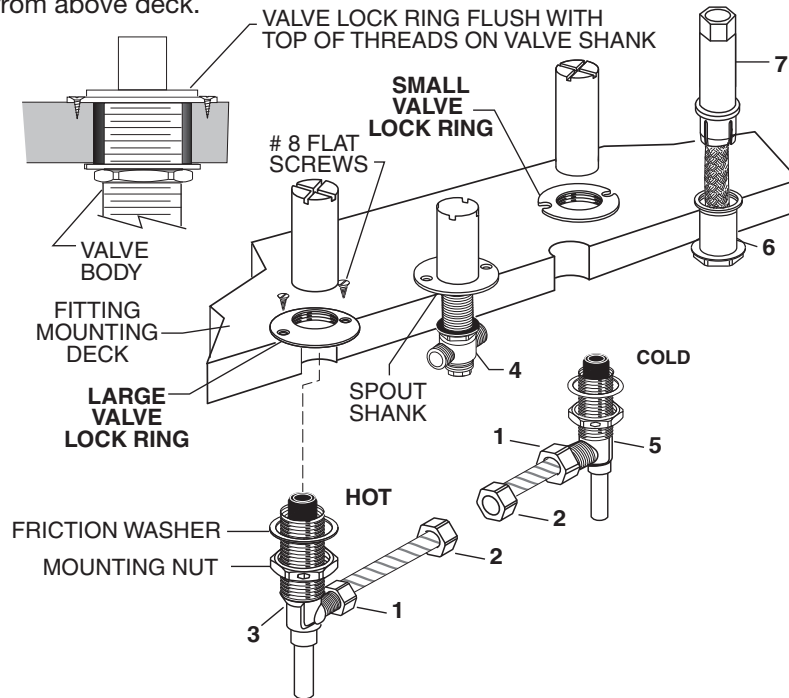
### 3 MOUNT VALVE BODIES

**NOTE: For unfinished surface use larger VALVE LOCK RING.**

**NOTE: For finished surface use small VALVE LOCK RING.**

Larger VALVE LOCK RING can be used on finished surface for Colony Pro, Quentin, Estate, Fitzgerald, and Studio S.

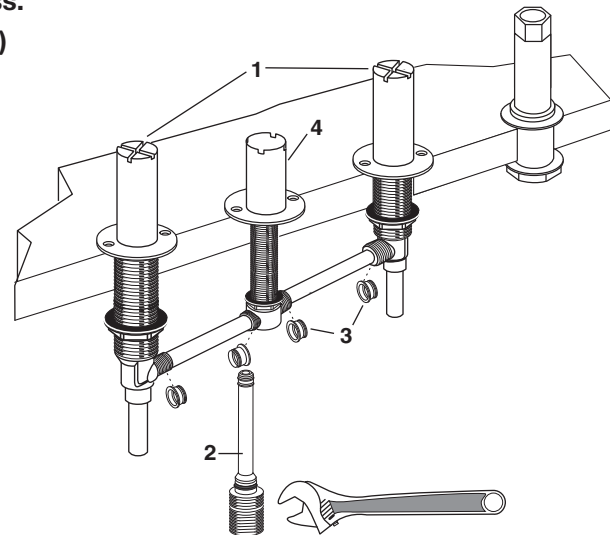
- Insert the HOT and COLD VALVE BODIES through the mounting deck from below. The HOT VALVE BODY is marked with a red label. Assemble the VALVE LOCK RINGS so they are flush with the top of the VALVE BODIES.
- Tighten the VALVE BODY mounting nuts securely.
- Fasten the VALVE LOCK RINGS to the unfinished surface with #8 screws (Not provided)
- Thread HOSE CONNECTOR (1) onto VALVE BODY (3, 5). Thread HOSE CONNECTOR (2) onto TEE (4). Tighten HOSE CONNECTOR (1) and (2) firmly.  
**Note: Hoses have different thread ends. Make sure to connect the fine thread to the Hot/cold valve bodies.**
- Insert HAND SHOWER SHANK (6) through mounting deck from top and secure it with MOUNTING NUT.
- Install HOSE PLUG (7) from above deck.



### 3a FOR COPPER TUBE INSTALLATION (not supplied)

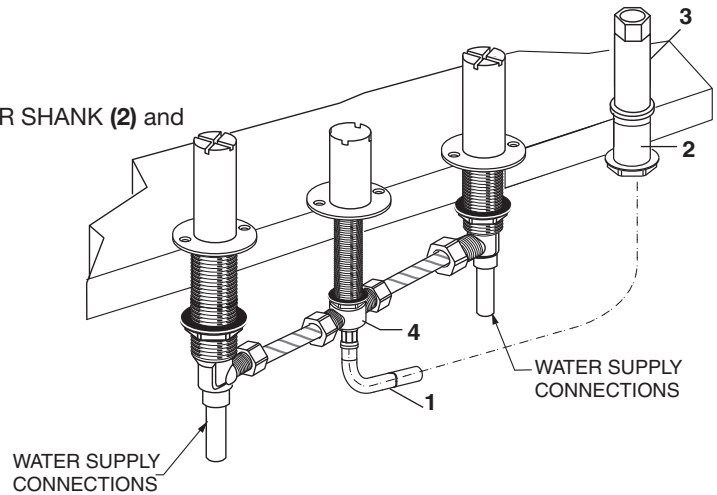
**NOTE: Remove cartridge to protect from brazing process.**

- Remove SLEEVES (1) from the SIDE VALVES and PLUG (4) from spout shank.
- Remove CARTRIDGES from the Side Valves (Follow instruction in Step 5 to remove Cartridges )
- Remove VALVE PIPE (2).
- Take INSERTS (3) out from SIDE VALVES and TEE.
- Cut copper tubes as needed and braze joints.



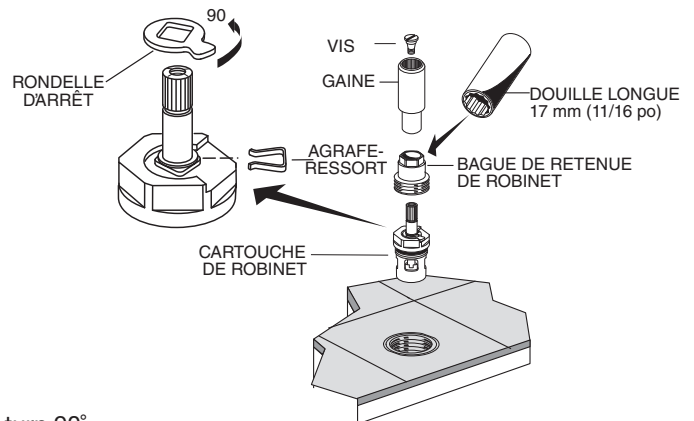
## 4 MAKING CONNECTIONS

- Connect the water supply lines to the VALVE BODY. Install HAND SHOWER HOSE (1) to the TEE.
- Insert HAND SHOWER HOSE (1) through HAND SHOWER SHANK (2) and thread HAND SHOWER HOSE (1) into HOSE PLUG (3).
- Insert HOSE PLUG (3) into HAND SHOWER SHANK (2).



## 5 SERVICE – TO CHANGE THE DIRECTION OF HANDLE ROTATION

- Turn off the water supplies.
- Turn HANDLE to the off position and remove HANDLE.
- Unthread SCREW from CARTRIDGE.
- Remove the SLEEVE from the CARTRIDGE.
- Unscrew the VALVE LOCK NUT and remove. (17 mm deep socket is required)
- Remove the CARTRIDGE.
- Remove the SPRING CLIP.
- Remove the STOP WASHER. Turn it 90° and replace.
- Replace the SPRING CLIP.
- Reverse the above steps to reassembly the components.
- If the spout drips, operate the handles several times from the off to the on position. Do not force - the handles only turn 90°

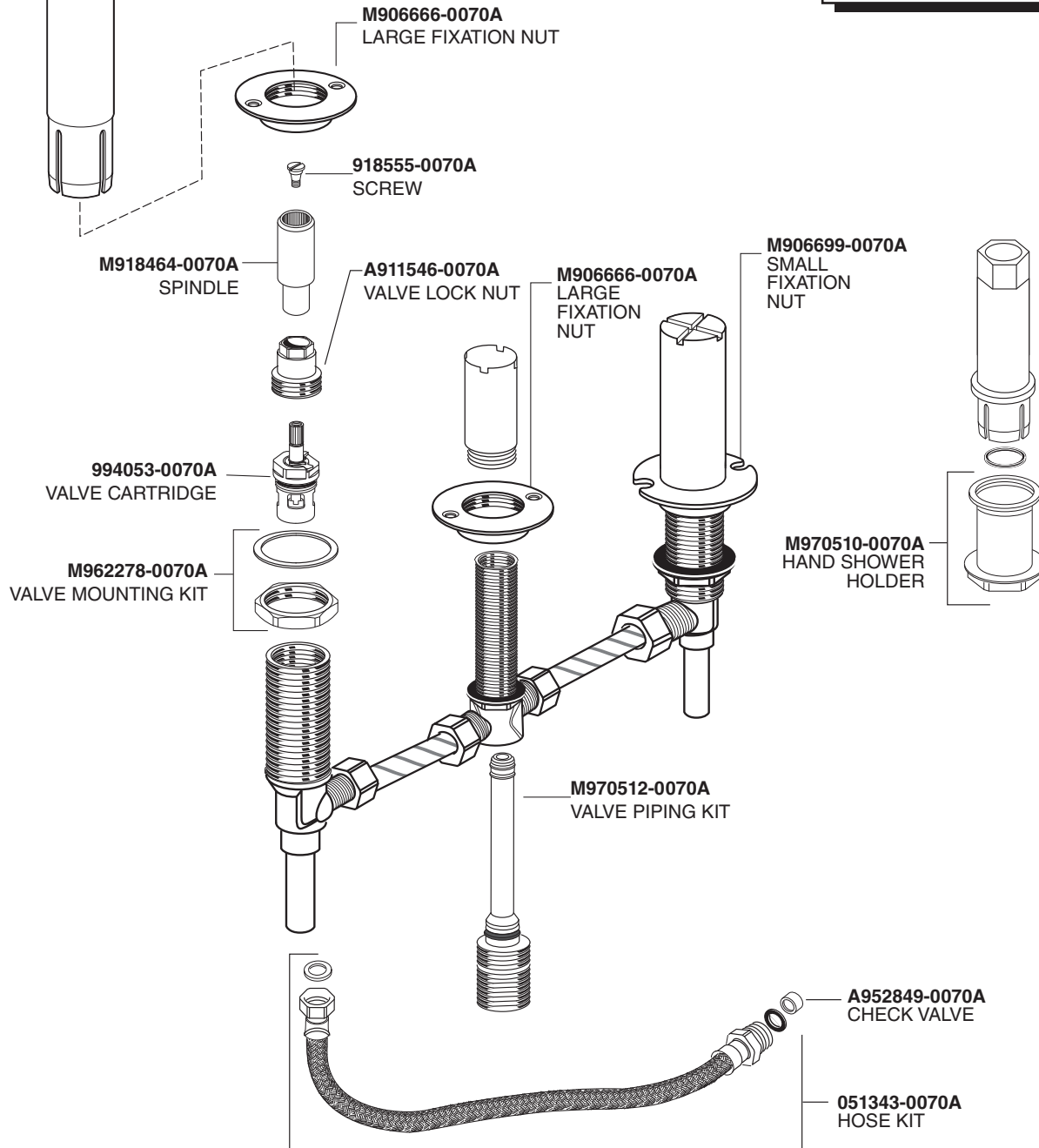




# Dek Mount Tub System Rough Valve Kit

MODEL NUMBERS

**D35000910**



**In the United States:**

DXV  
One Centennial Avenue  
Piscataway, New Jersey 08855  
Attention: Director of Customer Care

For residents of the United States, warranty information may also be obtained by calling the following toll free number: (800) 227-2734  
[www.DXV.com](http://www.DXV.com)

**In Canada:**

DXV  
5900 Avebury Road  
Mississauga, Ontario  
L5R 3M3  
Canada

Toll Free: 1-800-387-0369  
Local: 905-306-1093  
Fax: 1-800-395-1498

**In Mexico:**

DXV  
Via Morelos 330  
Col. Santa Clara Coatitla  
Ecatepec, Estado de México 55540

Toll Free: 01-800-8391200  
[www.DXV.mx](http://www.DXV.mx)