

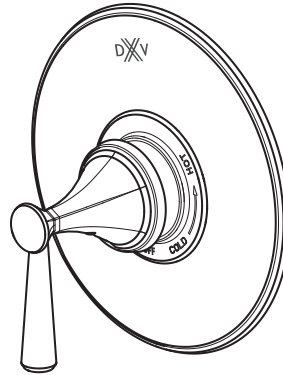
# INSTALLATION INSTRUCTIONS



## Fitzgerald® Pressure Balance Shower Valve Trim Kit

Model D35160500

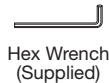
To be used with D35000500.191  
Pressure Balanced Shower Valve



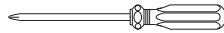
*Thank you for selecting DXV. To ensure that your installation proceeds smoothly, please read these instructions carefully before you begin.*

### RECOMMENDED TOOLS AND MATERIALS

Most of the procedures require the use of common tools and materials, which are available from hardware and plumbing supply stores. It is essential that the tools and materials be on hand before work has begun.



Hex Wrench  
(Supplied)



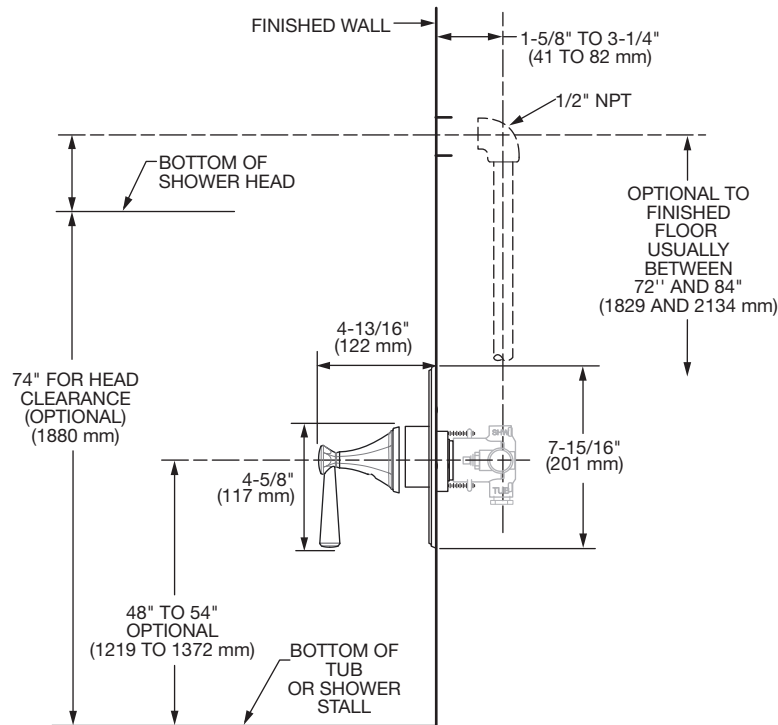
Phillips Screwdriver



Flat Blade Screwdriver

### TRIM DIMENSIONS:

- For reference



#### In the United States:

DXV  
One Centennial Avenue  
Piscataway, New Jersey 08855  
Attention: Director of Customer Care

For residents of the United States, warranty information may also be obtained by calling the following toll free number: (800) 227-2734  
[www.DXV.com](http://www.DXV.com)

#### In Canada:

DXV  
5900 Avebury Road  
Mississauga, Ontario  
L5R 3M3  
Canada

Toll Free: 1-800-387-0369  
Local: 905-306-1093  
Fax: 1-800-395-1498  
[www.DXV.ca](http://www.DXV.ca)

#### In Mexico:

DXV  
Via Morelos 330  
Col. Santa Clara Coatitla  
Ecatepec, Estado de México 55540

Toll Free: 01-800-8391200  
[www.DXV.mx](http://www.DXV.mx)

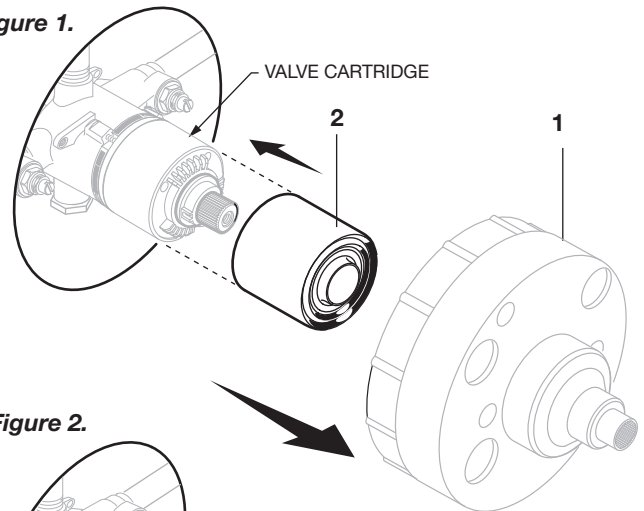
S A V E F O R F U T U R E U S E

## 1a INSTALL VALVE TRIM

**CAUTION** Turn off hot and cold water supplies before beginning.

- When finished tiling the wall, remove the PLASTER GUARD (1).
- **Figure 1.** Push CAP (2) over VALVE CARTRIDGE until seated against stop.

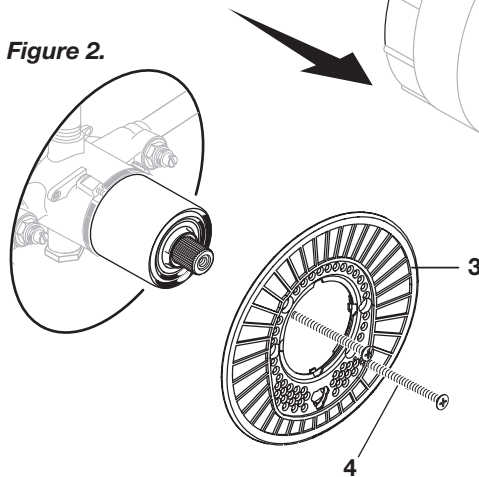
Figure 1.



## 1b

- **Figure 2.** Mount ESCUTCHEON HOLDER (3) and gasket to valve body with SCREWS (4).

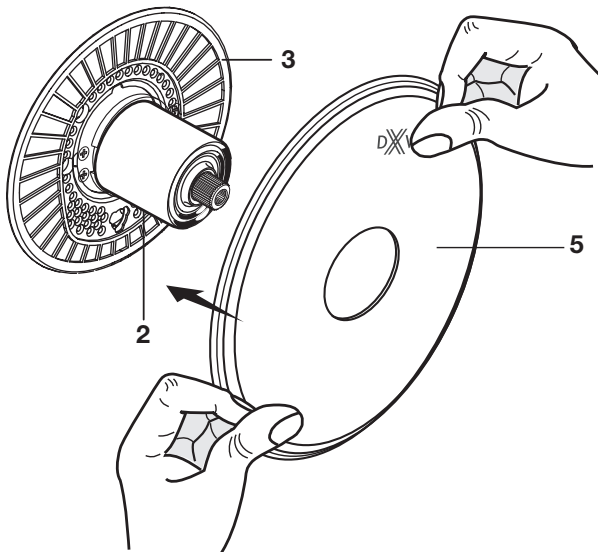
Figure 2.



## 1c

- **Figure 3.** Install ESCUTCHEON (5) onto CAP (2) and push flush against finished wall. ESCUTCHEON (5) will snap fit onto ESCUTCHEON HOLDER (3).

Figure 3.



## 2 INSTALL HANDLE

- Install HANDLE ADAPTER (1) onto VALVE STEM (2) and secure with SCREW (3).
- Align LEVER HANDLE (4) so lever is facing down and tighten SET SCREW (5) with hex wrench to secure LEVER HANDLE (4). Install PLUG BUTTON (6).

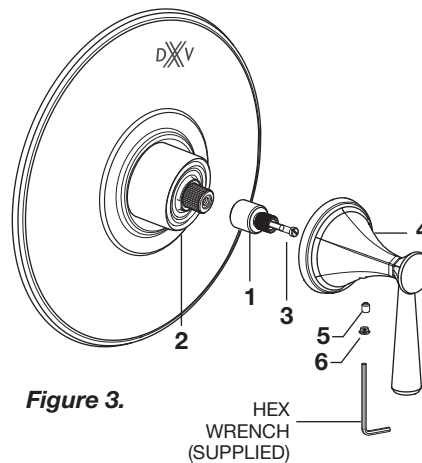


Figure 3.

HEX  
WRENCH  
(SUPPLIED)

**3**

**TEST INSTALLED FAUCET**

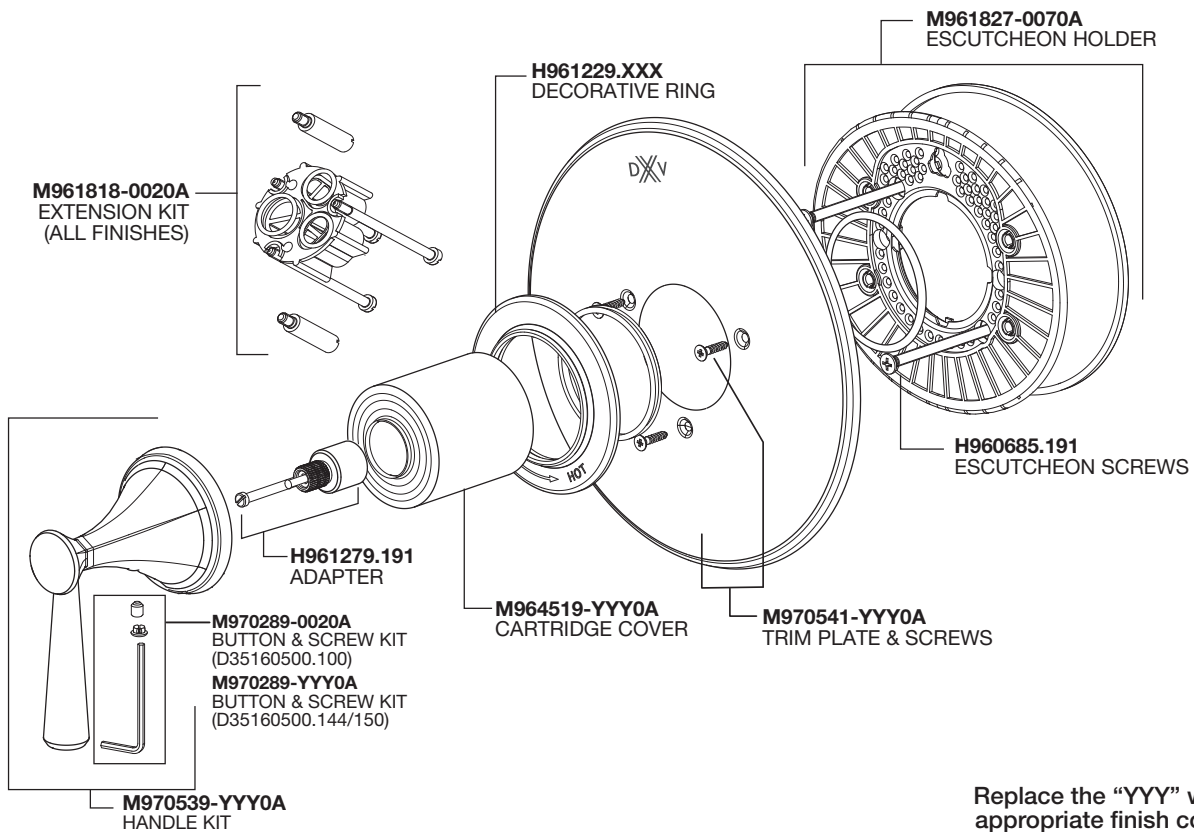
- Turn VALVE “off”.
- With HANDLE in “off” position, turn on water supplies and check all connections for leaks.
- Operate HANDLE and flush water lines thoroughly.



**Fitzgerald®  
Pressure Balanced  
Shower Valve Trim Kit**

MODEL NUMBER

**D35160500**



Replace the “YYY” with appropriate finish code

POLISHED CHROME	100
BRUSHED NICKEL	144
PLATINUM NICKEL	150