

INSTALLATION INSTRUCTIONS

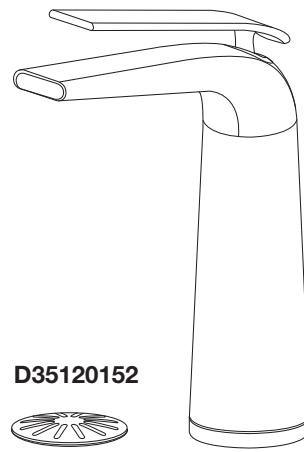


Modulus™ Single Lever Faucet

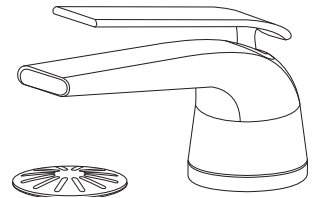
Monoblock Vessel
Model D35120152

Monoblock
Model D35120102

Thank you for selecting DXV. To ensure that your installation proceeds smoothly, please read these instructions carefully before you begin.



D35120152



D35120102



RECOMMENDED TOOLS AND MATERIALS

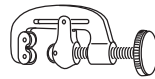
Most of the procedures require the use of common tools and materials, which are available from hardware and plumbing supply stores. It is essential that the tools and materials be on hand before work has begun.



Adjustable Wrench



Channel Locks



Tubing Cutter



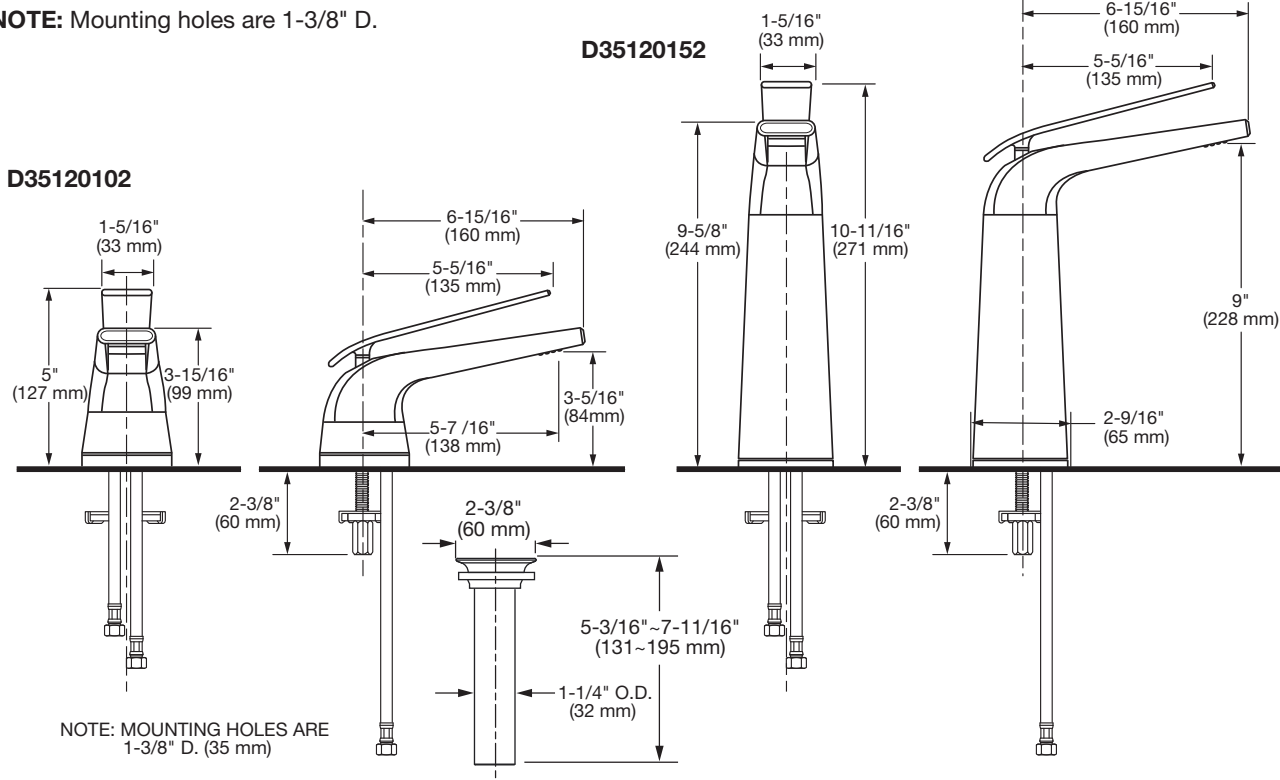
Flat Blade Screwdriver



Plumber's Putty or Caulking

ROUGHING-IN DIMENSIONS:

NOTE: Mounting holes are 1-3/8" D.



NOTE: MOUNTING HOLES ARE 1-3/8" D. (35 mm)

In the United States:

DXV
One Centennial Avenue
Piscataway, New Jersey 08855
Attention: Director of Customer Care

For residents of the United States, warranty information may also be obtained by calling the following toll free number: (800) 227-2734
www.DXV.com

In Canada:

DXV
5900 Avebury Road
Mississauga, Ontario
L5R 3M3
Canada

Toll Free: 1-800-387-0369
Local: 905-306-1093
Fax: 1-800-395-1498
www.DXV.ca

In Mexico:

DXV
Via Morelos 330
Col. Santa Clara Coatitla
Ecatepec, Estado de México 55540

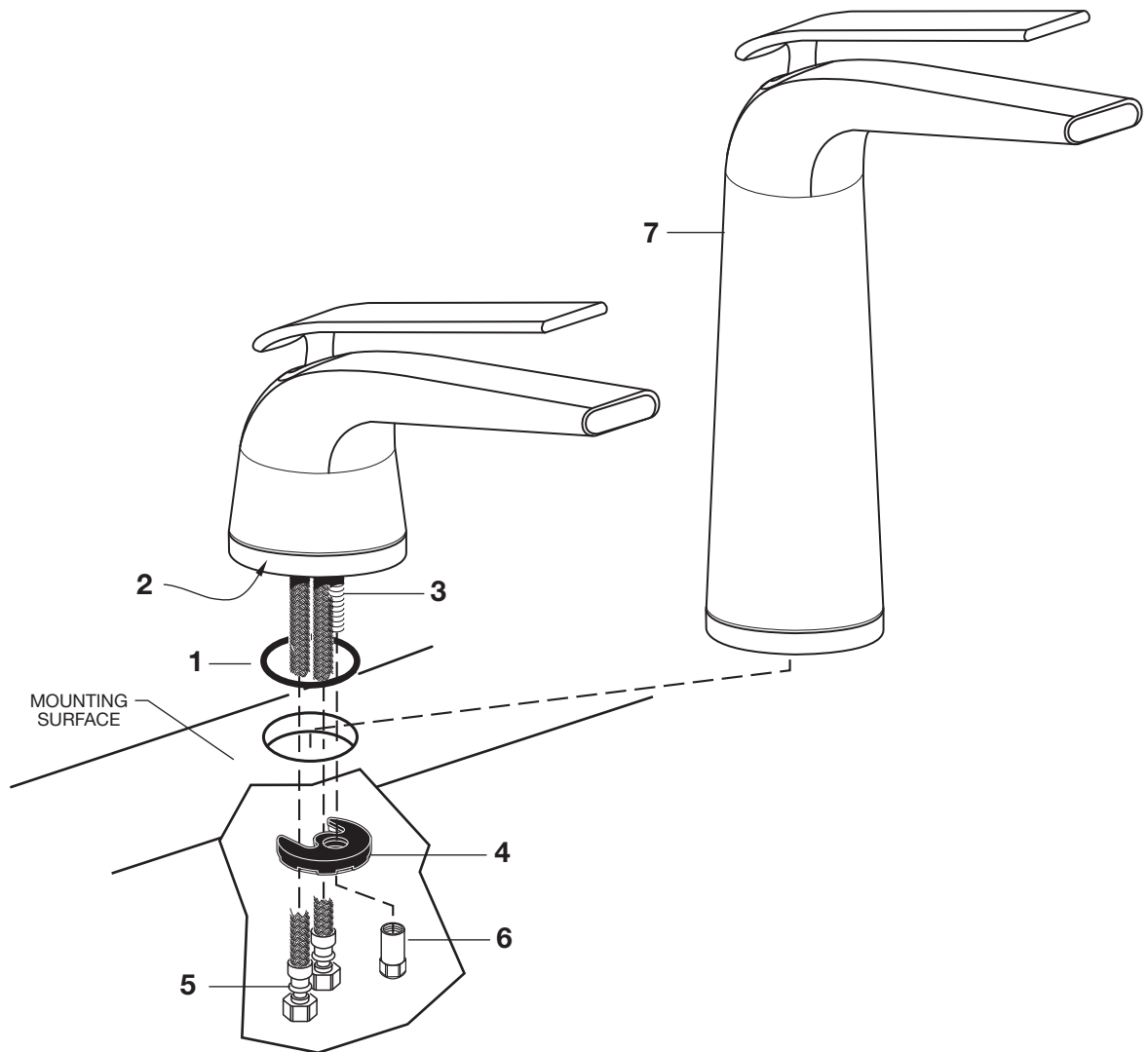
Toll Free: 01-800-8391200
www.DXV.mx

S A V E F O R F U T U R E U S E

1 INSTALL FAUCET (LAVATORY AND VESSEL FAUCETS)

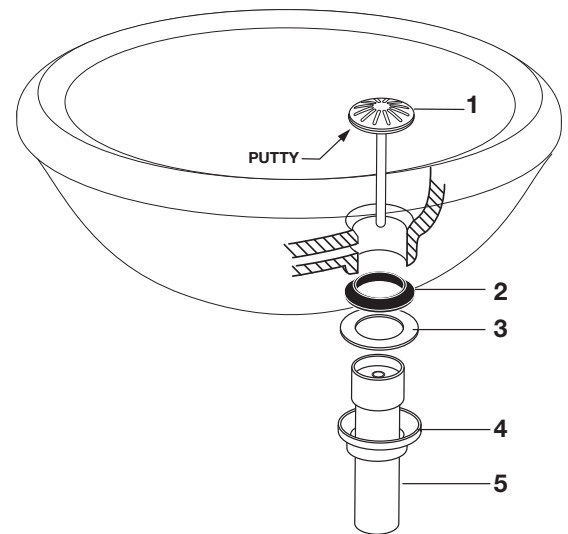
CAUTION Turn off hot and cold water supplies before beginning.

- Install SEAL (1) into groove of FAUCET BASE (2).
- Feed FAUCET SUPPLY TUBES (5) and SHANK (3) through mounting hole of lavatory or mounting surface.
- From below, Install RUBBER SEAL with RETAINING WASHER (4) and LOCKNUT (6) onto faucet SHANK (3). Before final tightening, faucet should be seated flush on mounting surface. Adjust faucet so that it is centered and covers mounting hole. Tighten LOCKNUT (6) using a 15mm or adjustable wrench. Do not over tighten.
- Installation is the same for VESSEL FAUCET (7).



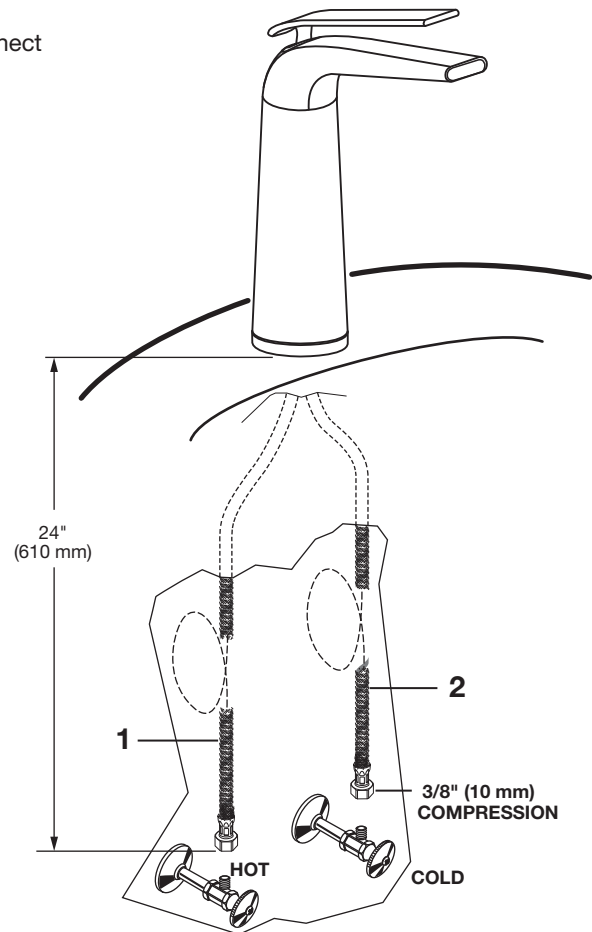
2 DRAIN INSTALLATION

- Apply a bead of PUTTY to underside of DRAIN BODY FLANGE (1).
- Feed DRAIN BODY (1) down through lavatory.
- Assemble GASKET (2) WASHER (3) and LOCKNUT (4) onto DRAIN BODY (1). Tighten LOCKNUT (4) firmly.
- Assemble TAILPIECE (5) to DRAIN BODY (1).



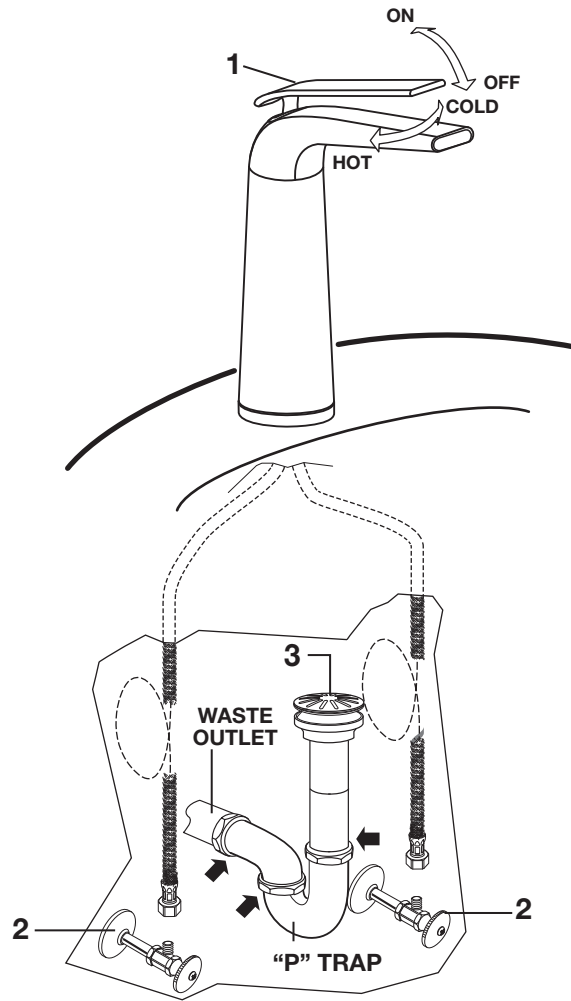
3 MAKE WATER SUPPLY AND WASTE CONNECTIONS

- Connect FLEXIBLE SUPPLIES (1, 2) directly to wall supplies. Connection on fitting supplies are 3/8" (10 mm) compression. Connect left SUPPLY (1) to Hot (Marked with a Red Band) and right supply to COLD (2) wall supply.
- Faucet supplies are 30" (762 mm) long from faucet base.
- Note:** If additional supply length is required, installer must purchase additional parts separately.
- Important:** If SUPPLY HOSES (1, 2) are too long, loop as illustrated to avoid kinking.
- Connect 1-1/4" O.D. (32 mm) tailpiece on POP-UP DRAIN to waste outlet.



4 TEST INSTALLED FITTING

- With HANDLE (1) in OFF position, turn on WATER SUPPLIES (2) and check all connections for leaks. ➡
- Operate HANDLE (1) to flush water lines thoroughly.

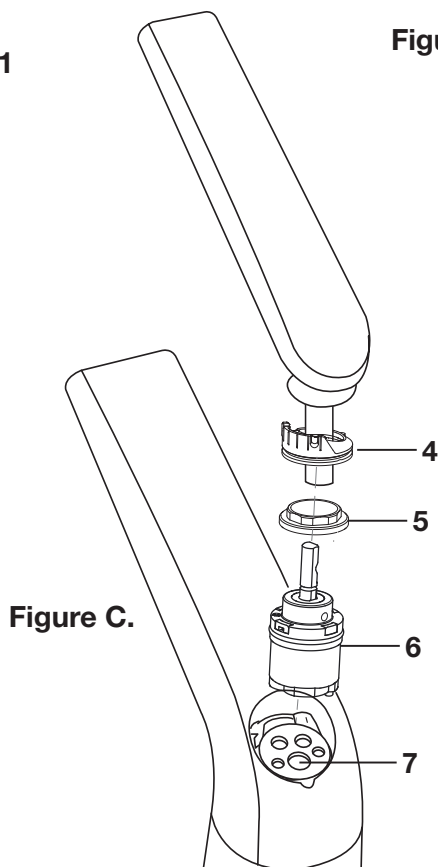
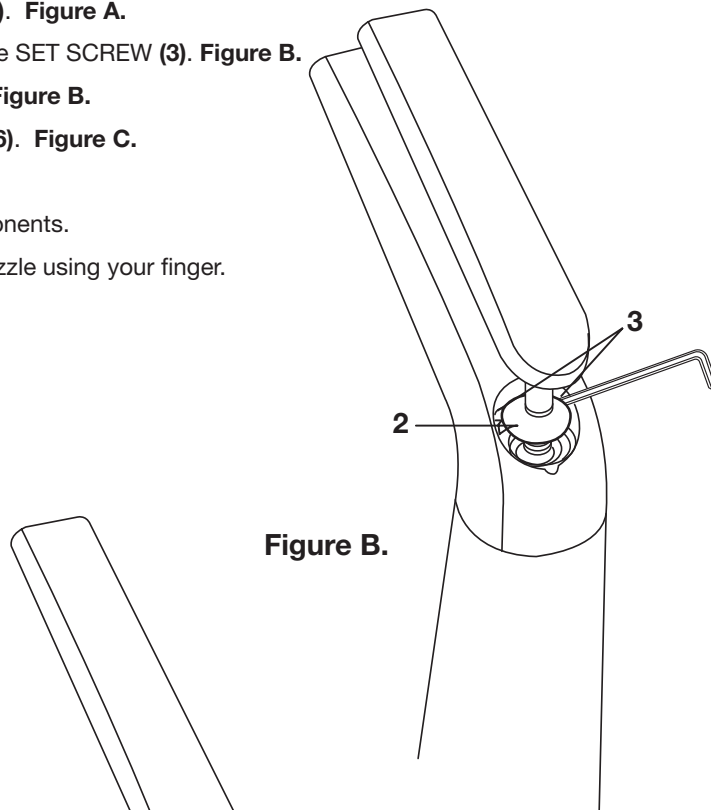
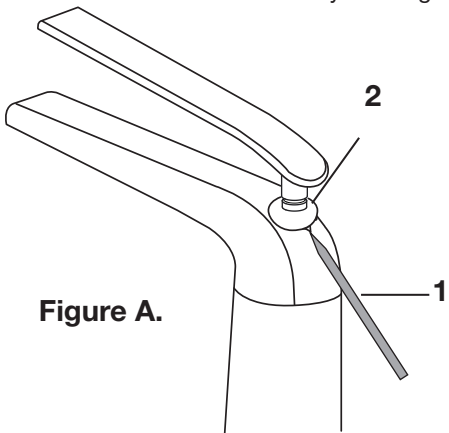


5 MAINTANENCE

If water flow rate is lower than stated, flow regulator might be clogged by debris in the water lines.
Clean filter screen at inlet hoses.

TO REPLACE FLOW REGULATOR

- Turn water supplies off.
- Use a SHARP TOOL (1) to loosen DECORATIVE RING (2). **Figure A.**
- Lift up DECORATIVE RING (2) and use hex key to remove SET SCREW (3). **Figure B.**
- Remove BASE (4) and pull whole handle assembly off. **Figure B.**
- Unthread CARTRIDGE NUT (5) to remove CARTRIDGE (6). **Figure C.**
- Replace FLOW REGULATOR (7) with new one.
- Follow the above steps in reverse to install faucet components.
- Clean the Nozzles on the Aerator by massaging each nozzle using your finger.



6 CARE INSTRUCTIONS:

DO: SIMPLY RINSE THE PRODUCT CLEAN WITH CLEAR WATER. DRY WITH A SOFT COTTON FLANNEL CLOTH.

DO NOT: DO NOT CLEAN THE PRODUCT WITH SOAPS, ACID, POLISH, ABRASIVES, HARSH CLEANERS, OR A CLOTH WITH A COARSE SURFACE.



Modulus™ Single Lever Lavatory and Vessel Faucets

MODEL NUMBERS

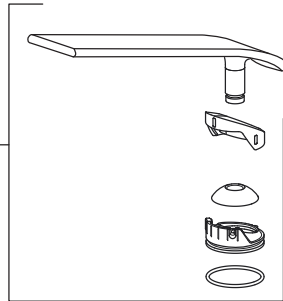
Vessel Faucet	D35120152
Lavatory Faucet	D35120102

Replace the “YYY” with appropriate finish code

POLISHED CHROME	100
BRUSHED NICKEL	144
PLATINUM NICKEL	150

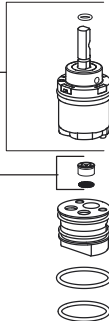
M970297-YYY0A
HANDLE KIT FOR
D35120152

M970296-YYY0A
HANDLE KIT FOR
D35120102



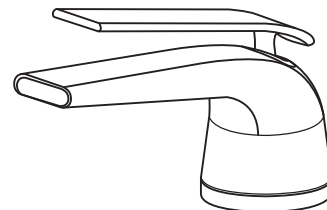
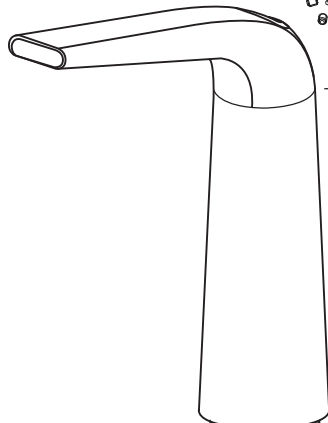
M970300-0070A
CARTRIDGE KIT

M964502-0070A
FLOW RESTRICTOR KIT

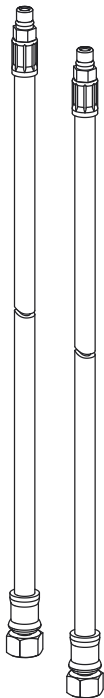


M970299-YYY0A
SET SCREW KIT

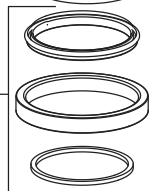
D35120152



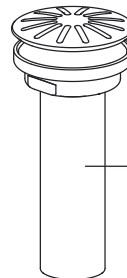
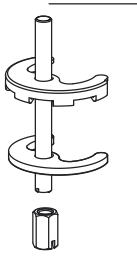
D35120102



M970311-YYY0A
ESCUTCHEON KIT



M964224-0070A
MOUNTING KIT



D35120460.XXX
DRAIN ASSEMBLY