

INSTALLATION INSTRUCTIONS



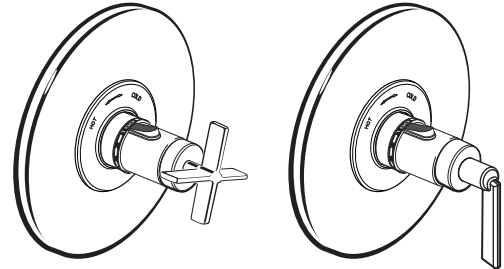
Percy®

1/2" (13 mm) & 3/4" (19 mm) Thermostatic Mixing Valve Trim Kit

**Cross Handle
Model D35105514**

**Cylinder Handle
Model D35105510**

**To be used with
D35000510.191 - 1/2" Thermostatic Mixing Valve
D35000530.191 - 3/4" Thermostatic Mixing Valve**



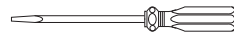
Thank you for selecting DXV. To ensure that your installation proceeds smoothly, please read these instructions carefully before you begin.

RECOMMENDED TOOLS AND MATERIALS

Most of the procedures require the use of common tools and materials, which are available from hardware and plumbing supply stores. It is essential that the tools and materials be on hand before work is begun.



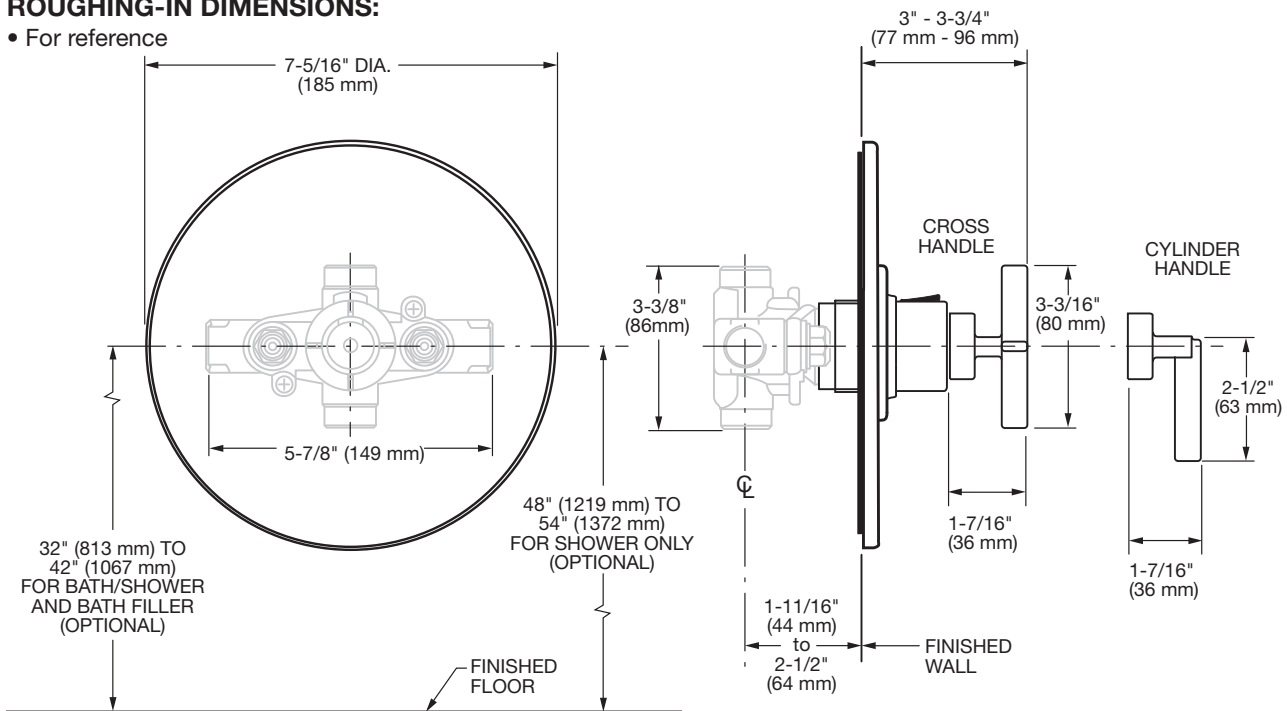
Phillips Screwdriver



Flat Blade Screwdriver

ROUGHING-IN DIMENSIONS:

• For reference



In the United States:

DXV
One Centennial Avenue
Piscataway, New Jersey 08855
Attention: Director of Customer Care

For residents of the United States, warranty information may also be obtained by calling the following toll free number: (800) 227-2734
www.DXV.com

In Canada:

DXV
5900 Avebury Road
Mississauga, Ontario
L5R 3M3
Canada

Toll Free: 1-800-387-0369
Local: 905-306-1093
Fax: 1-800-395-1498
www.DXV.ca

In Mexico:

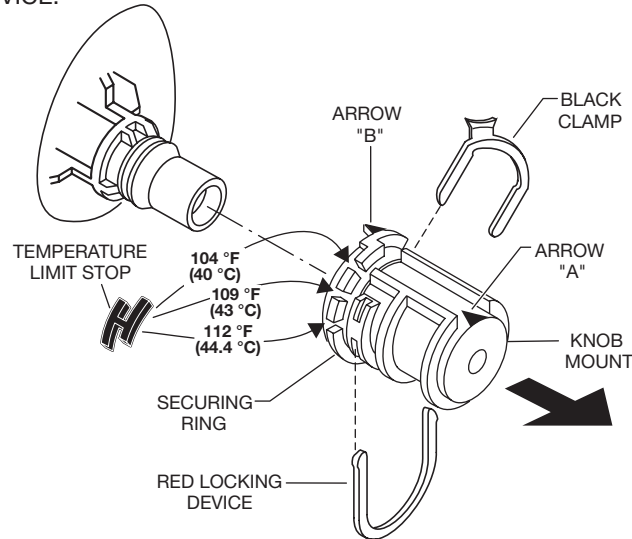
DXV
Via Morelos 330
Col. Santa Clara Coatitla
Ecatepec, Estado de México 55540

Toll Free: 01-800-8391200
www.DXV.mx

SAVE FOR FUTURE USE

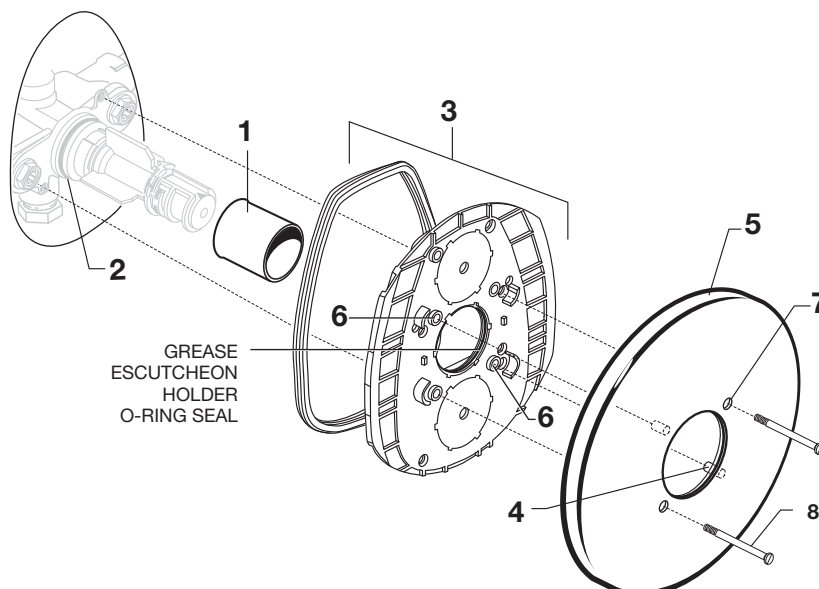
1 TEMPERATURE CALIBRATION

- Unscrew PLASTER GUARD SCREWS and remove PLASTER GUARD.
- Check that arrow marking "B" points vertically upwards. If not, push the BLACK CLAMP on the SECURING RING to the right, pull off KNOB MOUNT and reinstall KNOB MOUNT with arrow "B" pointing upwards.
- The maximum mixed water temperature is set at 109° F (43° C) at the factory. This setting can be changed if desired.
- Remove the TEMPERATURE LIMIT STOP (H shaped Black Plastic part). Re-install it at the desired notch as indicated in the diagram to limit the maximum mixed water temperature to 104°F or 112°F.
- For 100°F adjustment, turn the water supply on. Turn KNOB MOUNT until the spout temperature is 100°F. Check that arrow marking "A" on the KNOB MOUNT still points upward after adjusting the thermostat to 100°F. If not, pull out the RED LOCKING DEVICE. Remove KNOB MOUNT by pulling it towards you while standing directly in front of the valve.
- Reinstall the KNOB MOUNT so that the arrow marking "A" points upwards.
- Reinstall RED LOCKING DEVICE.



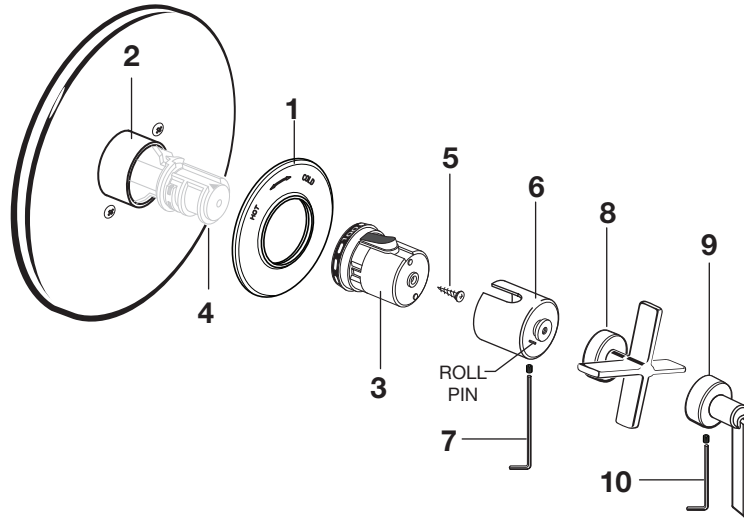
2 TRIM INSTALLATION

- Push CAP (1) over the O-RING SEAL (2).
- Push ESCUTCHEON HOLDER and SEAL (3) with lightly greased O-ring seal over CAP (1).
- Align PINS (4) on back side of ESCUTCHEON (5) with the TWO HOLES (6) in ESCUTCHEON HOLDER (3) and press ESCUTCHEON (5) flush against finished wall.
- Align ESCUTCHEON MOUNTING HOLES (7) with valve body in wall and secure with MOUNTING SCREWS (8).



3 HANDLE INSTALLATION

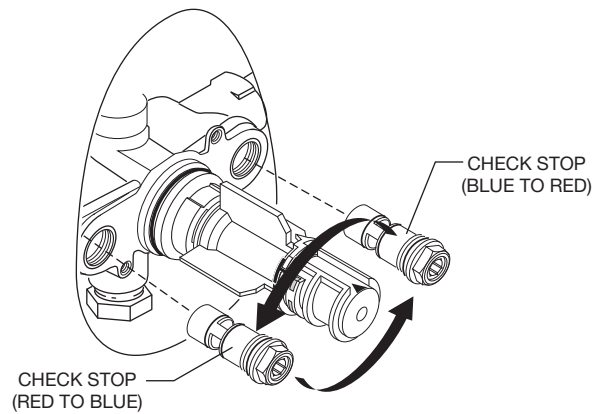
- Push DIAL PLATE (1) onto CAP (2) until flush against ESCUTCHEON.
- Push TEMPERATURE CONTROL KNOB (3) onto KNOB MOUNT (4). Attach TEMPERATURE CONTROL KNOB (3) to valve with ATTACHMENT SCREW (5).
- Push HANDLE BASE (6) onto TEMPERATURE CONTROL KNOB (3). Tighten set screw with HEX WRENCH (7) to secure HANDLE BASE (6).
- Align HANDLE (8, 9) with roll pin and install onto HANDLE BASE (6). Tighten set screw with HEX WRENCH (10) to secure HANDLE BASE (6).



4 TRANSPOSED SUPPLY PIPING

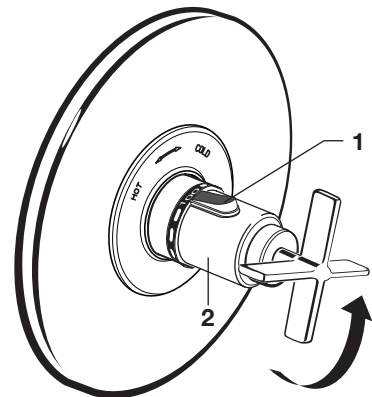
Should the hot and cold water supply pipes have been transposed making adjustment impossible, proceed as follow:

- Shut off water supply.
- Remove handle and rim.
- Remove check stops and re-install them transposed.
- **Important note:** RED CHECK STOP is now on the right of the mixer body and the BLUE CHECK STOP is now on the left.
- Turn the water supply back on and perform the temperature adjustment in step one.



5 OPERATING THE VALVE

- Rotate handle counter-clockwise from cold to the maximum hot temperature desired that was preselected in step one.
- If a temperature over 100°F is desired, push the STOP BUTTON (1) down and turn the TEMPERATURE KNOB (2). This will increase the mixed water temperature up to the maximum limit previously selected in step one.





Percy[®]
1/2" (13 mm) & 3/4" (19 mm)
Thermostatic Mixing Valve
Shower Trim

Cross Handle
D35105514
Cylinder Handle
D35105510

Replace the "YYY" with appropriate finish code

POLISHED CHROME	100
CARBON BRONZE	110

