

INSTALLATION INSTRUCTIONS

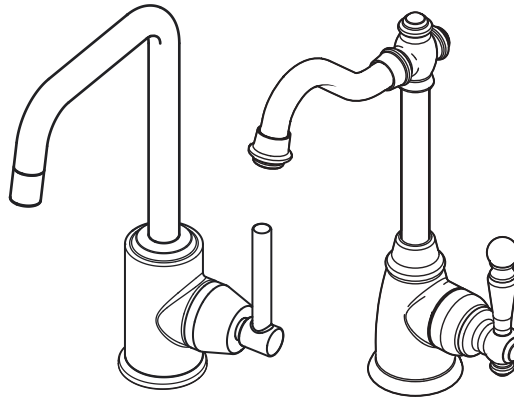


Contemporary Cold Tap

Single Control Bar Faucet
Model D35401700

Traditional Cold Tap

Single Control Bar Faucet
Model D35402700



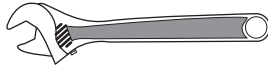
Thank you for selecting DXV. To ensure that your installation proceeds smoothly, please read these instructions carefully before you begin.

RECOMMENDED TOOLS AND MATERIALS

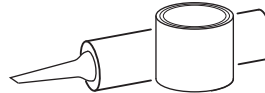
Most of the procedures require the use of common tools and materials, which are available from hardware and plumbing, supply stores. It is essential that the tools and materials be on hand before work is begun.



Channel Locks



Adjustable Wrench



Plumbers' Putty or Caulking



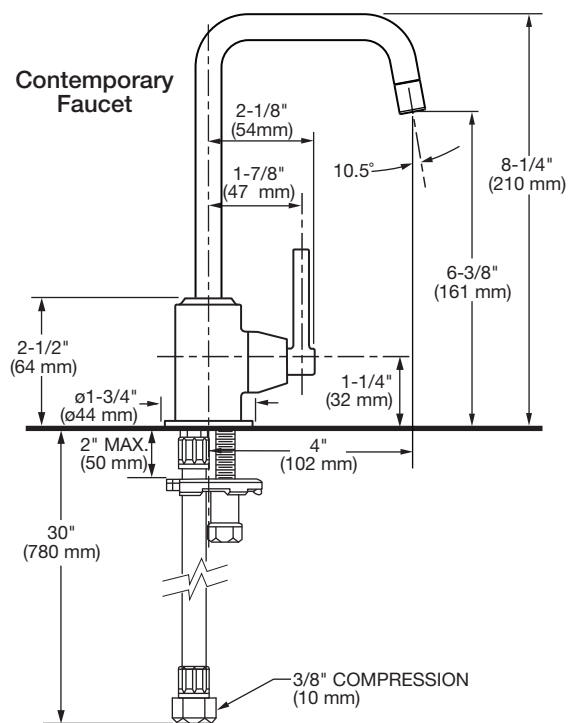
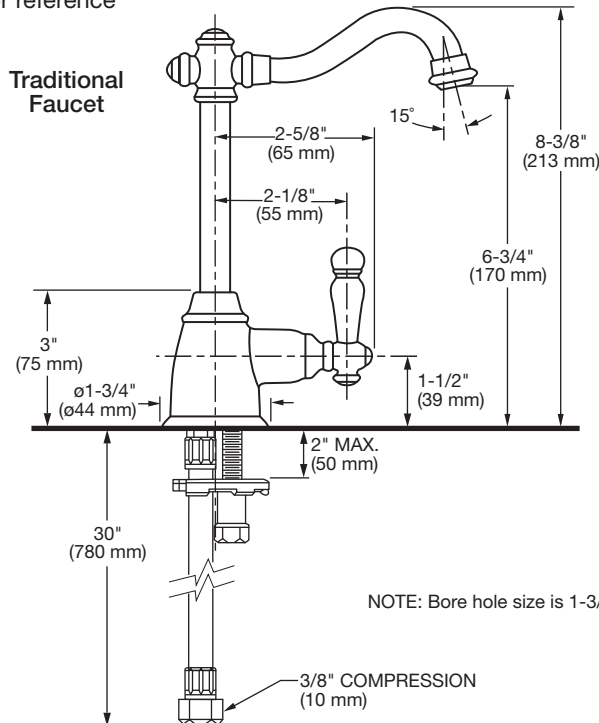
Phillips Screwdriver



Flat Blade Screwdriver

ROUGHING-IN DIMENSIONS:

- For reference



NOTE: Bore hole size is 1-3/8"

In the United States:

DXV
One Centennial Avenue
Piscataway, New Jersey 08855
Attention: Director of Customer Care

For residents of the United States, warranty information may also be obtained by calling the following toll free number: (800) 227-2734
www.DXV.com

In Canada:

DXV
5900 Avebury Road
Mississauga, Ontario
L5R 3M3
Canada

Toll Free: 1-800-387-0369
Local: 905-306-1093
Fax: 1-800-395-1498
www.DXV.ca

In Mexico:

DXV
Via Morelos 330
Col. Santa Clara Coatitla
Ecatepec, Estado de México 55540

Toll Free: 01-800-8391200
www.DXV.mx

SAVE FOR FUTURE USE

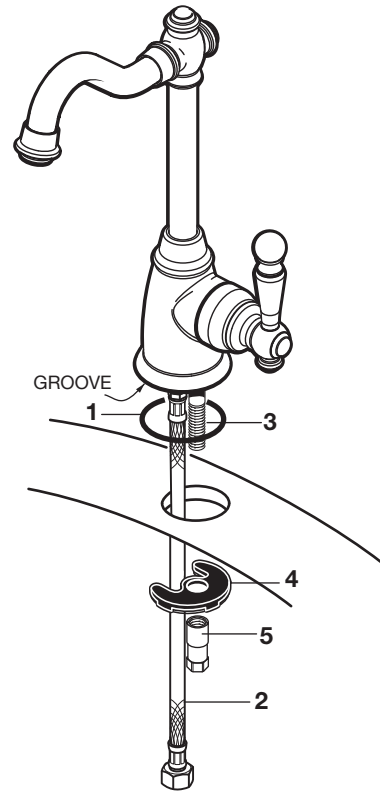
1 INSTALL FITTING

CAUTION Turn off hot and cold water supplies before beginning.

NOTE: Traditional installation shown.

Contemporary faucet is installed in the same manner.

- Install SEAL (1) in groove at bottom of faucet.
- Feed FLEXIBLE FAUCET SUPPLY (2) and SHANK (3) through the mounting hole of lavatory, or mounting surface.
- From below, Install "C" WASHER (4), and LOCKNUT (5) onto faucet SHANK (3). Before final tightening, adjust faucet so that it is centered and covers mounting hole. Tighten LOCKNUT (5) using a screwdriver.

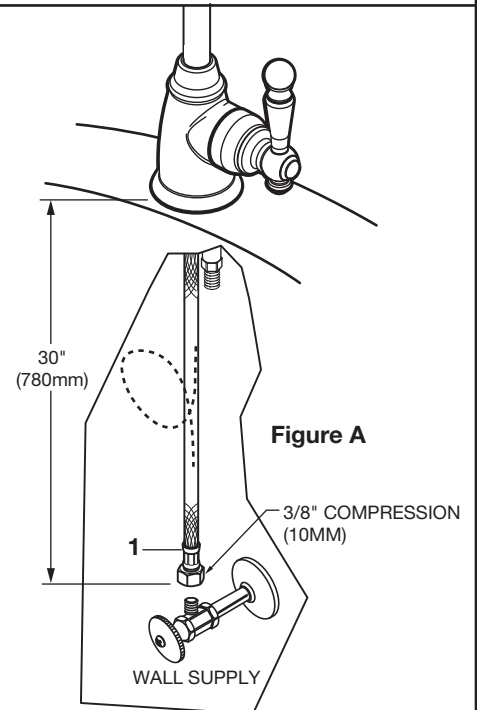


2 MAKE WATER SUPPLY CONNECTION

- Turn off cold water supply before beginning.
- Connect FLEXIBLE SUPPLY (1) directly to wall supply. Connection on fitting supply is 3/8" (10 mm) compression. Use adjustable wrench to tighten connection. Do not over tighten. Faucet supply is 30" (762 mm) long from faucet base. **Figure A.**

Note: If additional supply length is required, installer must purchase additional parts separately.

Important: If FLEXIBLE SUPPLY (1) is too long, loop as illustrated to avoid kinking.



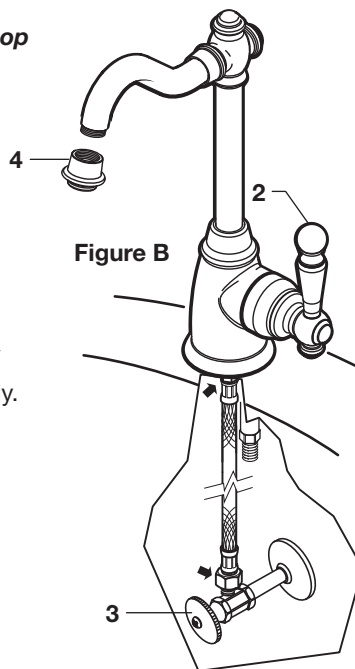
3 TEST INSTALLED FAUCET

- Move HANDLE (2) into "off" position. **Figure B.**
- With HANDLE (2) in OFF position, turn on WATER SUPPLY (3) and check all connections for leaks. ➡
- Operate HANDLE (1) to flush water lines thoroughly.

TROUBLE SHOOTING

Low water flow from faucet:

- Remove AERATOR (4) and clean if necessary.





Traditional Cold Tap Single Control Bar Faucet

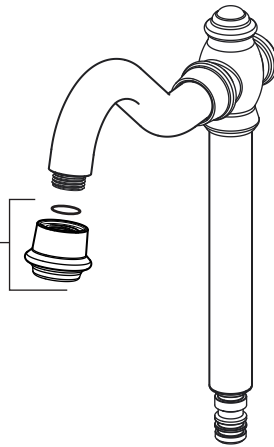
MODEL NUMBER

D35402700

Replace the "YYY" with appropriate finish code

POLISHED CHROME	100
ULTRA STEEL	355

M964877-YYY0A
AERATOR ASSEMBLY

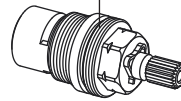


M964878-0070A
SPOUT SEAL KIT

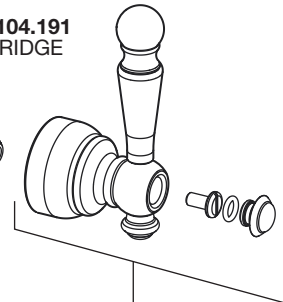
M964880-0070A
SPOUT SET SCREW



H960104.191
CARTRIDGE



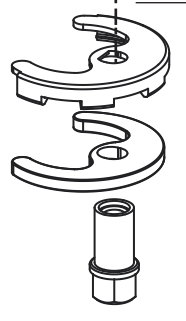
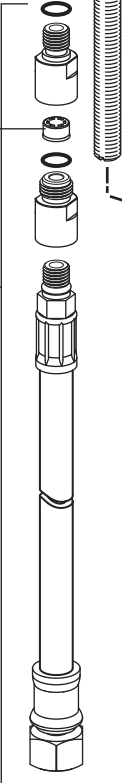
M964881-0070A
SEAL



M964879-YYY0A
LEVER HANDLE KIT

M964540-0070A
CHECK VALVE

M964794-0070A
SUPPLY HOSE KIT



M964507-0070A
MOUNTING KIT



Contemporary Cold Tap Single Control Bar Faucet

MODEL NUMBER

D35401700

Replace the "YYY" with
appropriate finish code

POLISHED CHROME	100
ULTRA STEEL	355

