

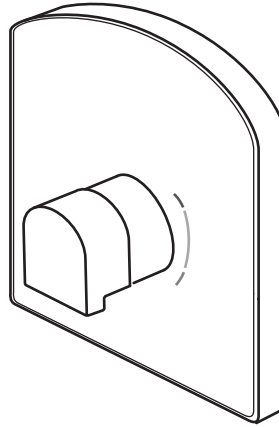
INSTALLATION INSTRUCTIONS



Equity™ (Formerly LYNDON®) Pressure Balance Shower Valve Trim Kit

Models D35109500, D35109500RB

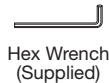
To be used with D35000500.191
Pressure Balanced Shower Valve



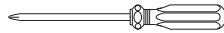
Thank you for selecting DXV. To ensure that your installation proceeds smoothly, please read these instructions carefully before you begin.

RECOMMENDED TOOLS AND MATERIALS

Most of the procedures require the use of common tools and materials, which are available from hardware and plumbing supply stores. It is essential that the tools and materials be on hand before work is begun.



Hex Wrench
(Supplied)



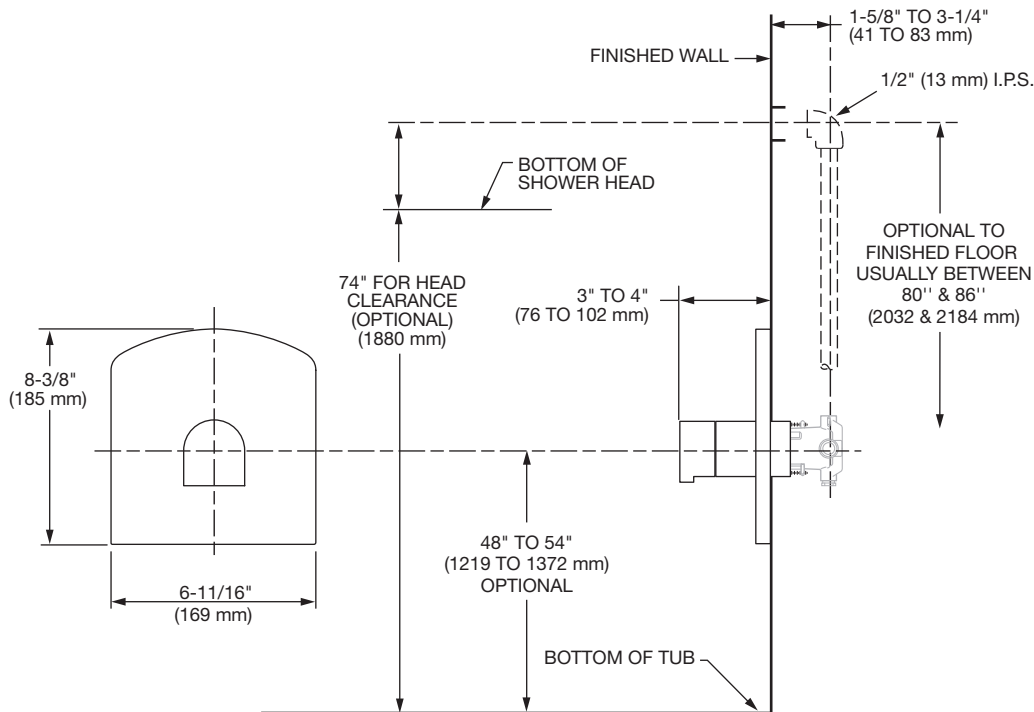
Phillips Screwdriver



Flat Blade Screwdriver

ROUGHING-IN DIMENSIONS:

- For reference



In the United States:

DXV
One Centennial Avenue
Piscataway, New Jersey 08855
Attention: Director of Customer Care

For residents of the United States, warranty information may also be obtained by calling the following toll free number: (800) 227-2734
www.DXV.com

In Canada:

DXV
5900 Avebury Road
Mississauga, Ontario
L5R 3M3
Canada

Toll Free: 1-800-387-0369
Local: 905-306-1093
Fax: 1-800-395-1498
www.DXV.ca

In Mexico:

DXV
Via Morelos 330
Col. Santa Clara Coatlita
Ecatepec, Estado de México 55540

Toll Free: 01-800-8391200
www.DXV.mx

S A V E F O R F U T U R E U S E

1 REMOVE PLASTER GUARD

CAUTION Turn off hot and cold water supplies before beginning.

- **Figure 1.** When finished tiling the wall, remove PLASTER GUARD (1).

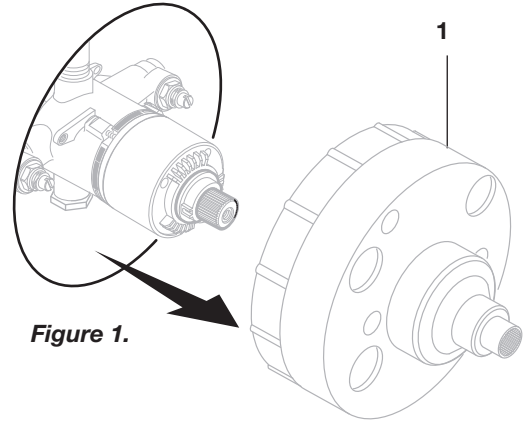
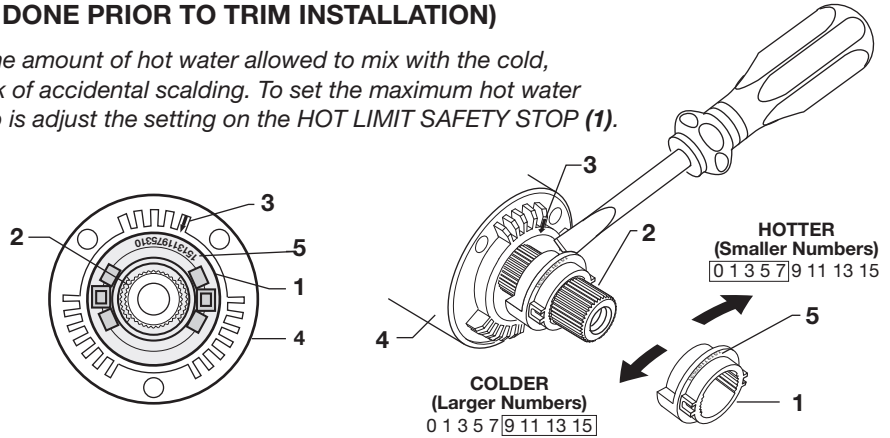


Figure 1.

2 ADJUST HOT LIMIT STOP (MUST BE DONE PRIOR TO TRIM INSTALLATION)

By restricting HANDLE rotation and limiting the amount of hot water allowed to mix with the cold, the HOT LIMIT SAFETY STOP (1) reduces risk of accidental scalding. To set the maximum hot water temperature of your faucet, all you need to do is adjust the setting on the HOT LIMIT SAFETY STOP (1).

- Turn CARTRIDGE STEM (2) to the OFF position (coldest setting) before making adjustment to HOT LIMIT STOP (1). Use a flat blade screwdriver to pry free the HOT LIMIT SAFETY STOP (1). Pull forward and rotate counterclockwise one number to limit hot water temperature. Use ARROW (3) on CARTRIDGE (4) and NUMBERS (5) on HOT LIMIT STOP (1) for indication.



3a INSTALL VALVE TRIM

- **Figure 2.** Push CAP (2) over VALVE CARTRIDGE until seated against stop.
- Mount ESCUTCHEON HOLDER (3) and gasket to valve body with SCREWS (4). Mount ESCUTCHEON SUPPORT (5) to ESCUTCHEON HOLDER (3) with SCREWS (6).

NOTE: Make sure the Middle Notch is in the vertical position.

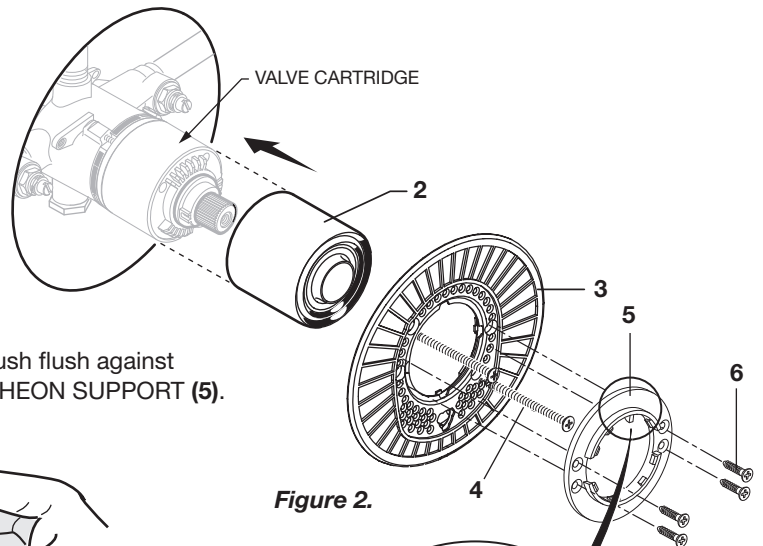


Figure 2.

3b INSTALL VALVE TRIM

- **Figure 3.** Install ESCUTCHEON (7) onto CAP (2) and push flush against finished wall. Escutcheon (7) will snap fit onto ESCUTCHEON SUPPORT (5).

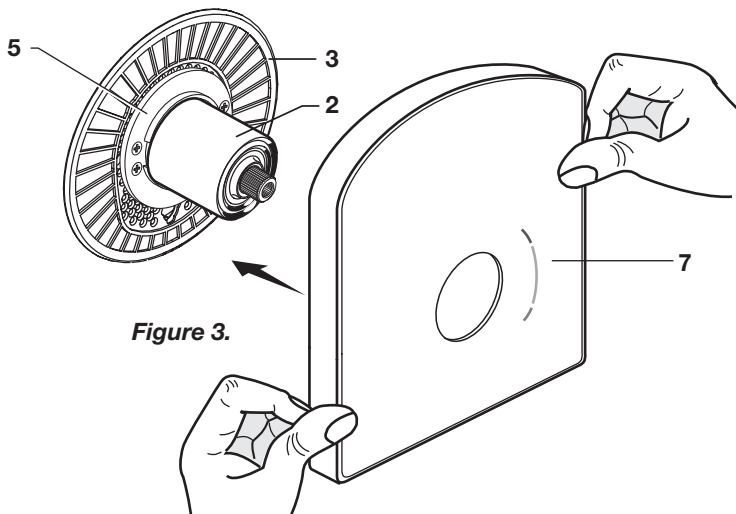
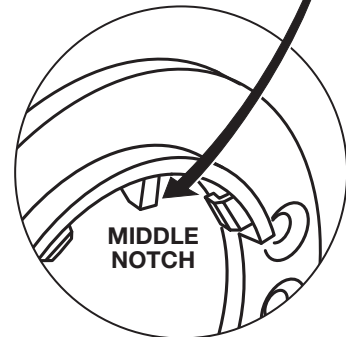


Figure 3.

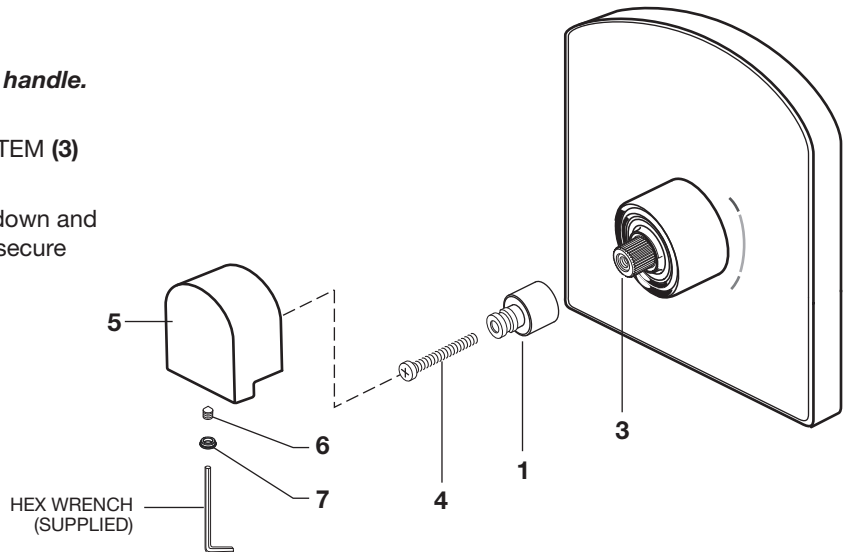


MIDDLE NOTCH

3c INSTALL HANDLE

NOTE: Turn off valve prior to installation of handle.
(Turn fully clockwise)

- Install HANDLE ADAPTER (1) onto VALVE STEM (3) and secure with SCREW (4).
- Align LEVER HANDLE (5) so lever is facing down and tighten SET SCREW (6) with hex wrench to secure LEVER HANDLE (5).
- Install PLUG BUTTON (7).



4 TEST INSTALLED FAUCET

- Turn VALVE “off”.
- With HANDLE in “off” position, turn on water supplies and check all connections for leaks.
- Operate HANDLE and flush water lines thoroughly.



Equility™ (Formerly LYNDON®) Pressure Balanced Shower Valve Trim Kit

MODELS NUMBERS

D35109500
D35109500RB

Replace the “YYY” with appropriate finish code

POLISHED CHROME	100
BRUSHED NICKEL	144
MATTE BLACK	243

