

INSTALLATION INSTRUCTIONS

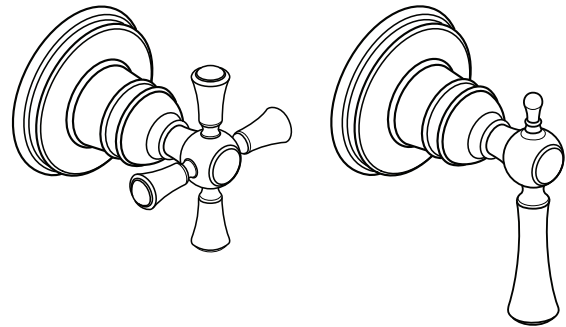


Randall® Handle Trim Kits for Straight Wall Valves

**Cross Handle
Model D35102740**

**Lever Handle
Model D35102700**

To be used with
D35000710.191 - 1/2" Rough Valve
D35000700.191 - 3/4" Rough Valve



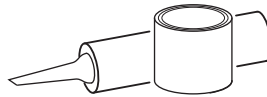
Thank you for selecting DXV. To ensure that your installation proceeds smoothly, please read these instructions carefully before you begin.

RECOMMENDED TOOLS AND MATERIALS

Most of the procedures require the use of common tools and materials, which are available from hardware and plumbing supply stores. It is essential that the tools and materials be on hand before work is begun.



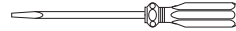
Adjustable Wrench



Plumbers' Putty or Caulking



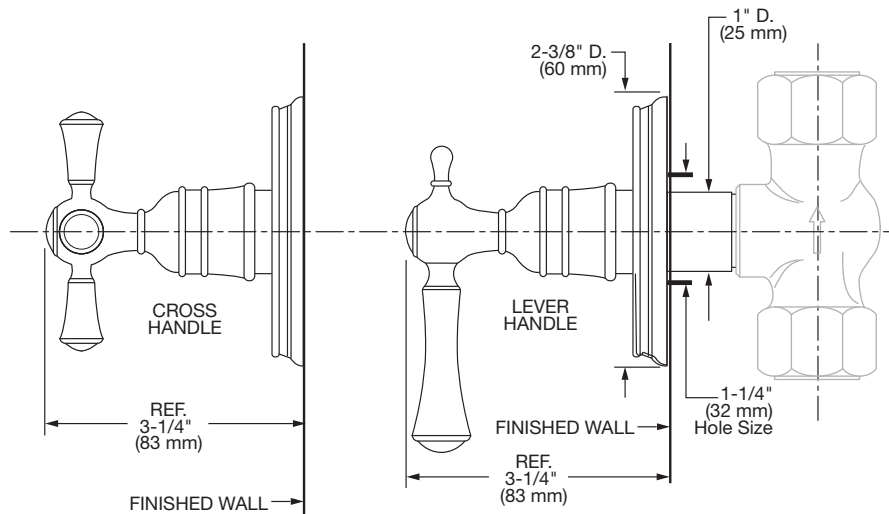
Phillips Screwdriver



Flat Blade Screwdriver

ROUGHING-IN DIMENSIONS:

- For reference



SAVE FOR FUTURE USE

In the United States:

DXV
One Centennial Avenue
Piscataway, New Jersey 08855
Attention: Director of Customer Care

For residents of the United States, warranty information may also be obtained by calling the following toll free number: (800) 227-2734
www.DXV.com

In Canada:

DXV
5900 Avebury Road
Mississauga, Ontario
L5R 3M3
Canada

Toll Free: 1-800-387-0369
Local: 905-306-1093
Fax: 1-800-395-1498
www.DXV.ca

In Mexico:

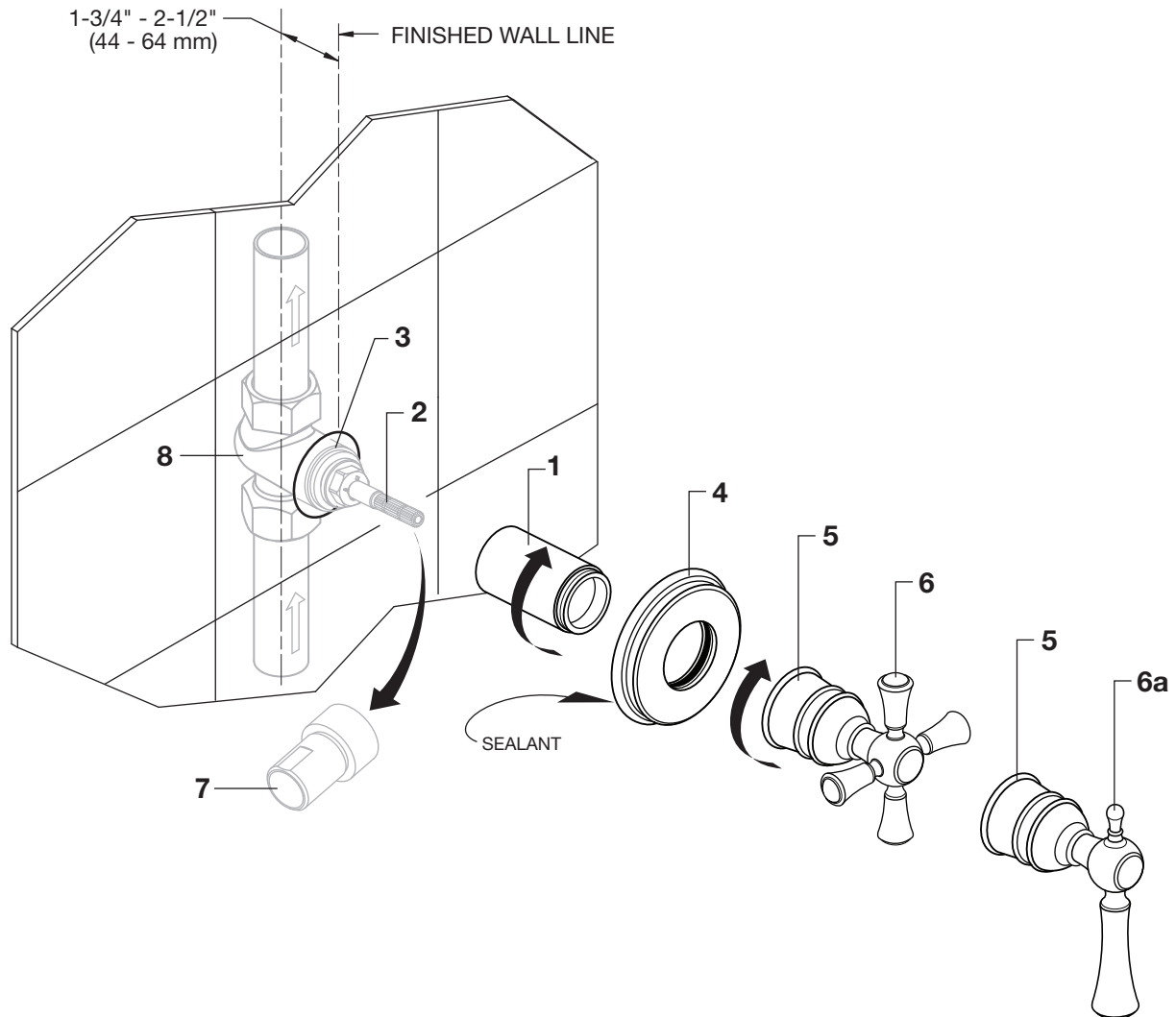
DXV
Via Morelos 330
Col. Santa Clara Coatitla
Ecatepec, Estado de México 55540

Toll Free: 01-800-8391200
www.DXV.mx

1 INSTALL VALVE TRIM

CAUTION Turn off hot and cold water supplies before beginning.

- Install WALL VALVE (8) per roughing-in dimensions.
- Twist and pull off PLASTER GUARD (7).
- Place BARREL SLEEVE (1) over VALVE STEM (2) and thread tight onto VALVE (3).
- Apply sealant to groove on back side of ESCUTCHEON (4). Slide ESCUTCHEON (4) onto BARREL SLEEVE (1) flush against finished wall to cover wall opening.
- With VALVE in off position align HANDLES (6, 6a) as shown or as desired. Install HANDLES (6, 6a) onto VALVE STEM (2). Thread BONNET NUT (5) onto BARREL SLEEVE (1) until it seats tight against the internal stop.





Randall® Handle Trim Kits for Straight Wall Valves

MODEL NUMBERS

Cross Handle
D35102740
Lever Handle
D35102700

Replace the "YYY" with appropriate finish code

POLISHED CHROME	100
BRUSHED NICKEL	144
PLATINUM NICKEL	150
SATIN BRASS	427

