

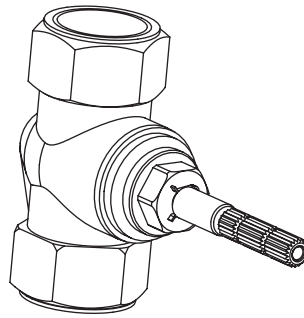
INSTALLATION INSTRUCTIONS

1/2" (13mm) and 3/4" (19mm) Rough Valves, All Series

1/2" - Model D35000710.191

3/4" - Model D35000700.191

Thank you for selecting DXV. To ensure that your installation proceeds smoothly, please read these instructions carefully before you begin.



RECOMMENDED TOOLS AND MATERIALS

Most of the procedures require the use of common tools and materials, which are available from hardware and plumbing supply stores. It is essential that the tools and materials be on hand before work is begun.



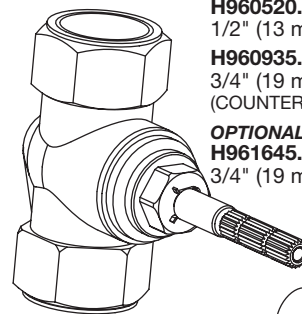
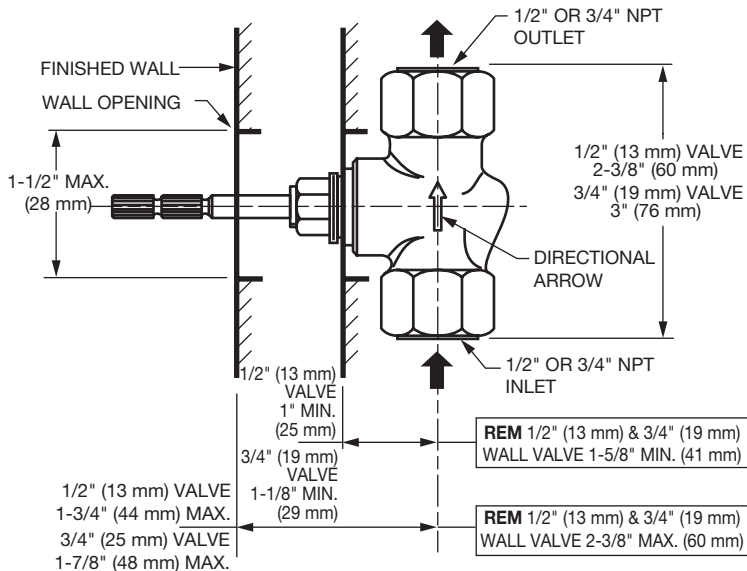
Channel Locks



Adjustable Wrench

ROUGHING-IN DIMENSIONS:

- For reference



H960202.XXX
BARREL SLEEVE
EXTENSION

Replace the "YYY" with appropriate finish code

POLISHED CHROME	100
BRUSHED NICKEL	144
PLATINUM NICKEL	150
ULTRA STEEL	355

H960521.191

1/2" (13 mm) CARTRIDGE
(COUNTERCLOCKWISE)

OPTIONAL

H960520.191

1/2" (13 mm) CARTRIDGE (CLOCKWISE)

H960935.191

3/4" (19 mm) CARTRIDGE
(COUNTERCLOCKWISE)

OPTIONAL

H961645.191

3/4" (19 mm) CARTRIDGE (CLOCKWISE)

H960764.191
STEM EXTENSION

1 ROUGHING-IN THE VALVE

CAUTION

Turn off hot and cold water supplies before beginning.

- Determine where the finished wall location will be. This measurement is very important! **NOTE: Rough wall to center of the supply inlet is the same for all series (except REM) as noted above, leaving a 3/4" tolerance. For the REM valves, the rough wall to center of the supply inlet is: 1-5/8" (41 mm) minimum to 2-3/8" (60 mm) maximum, leaving a 3/4" (19 mm) tolerance.**
- Please note the directional arrow on the valve body. This is the direction the water must flow. Make sure the inlet and outlet sides are piped correctly! Do not solder the pipe adapters to wall valve. Use pipe adapters with proper pipe joint compound.
- When installation is complete, turn water supply on and check for proper operation and for leaks prior to the installation of the finished wall.

In the United States:

DXV
One Centennial Avenue
Piscataway, New Jersey 08855
Attention: Director of Customer Care

For residents of the United States, warranty information may also be obtained by calling the following toll free number: (800) 227-2734
www.DXV.com

In Canada:

DXV
5900 Avebury Road
Mississauga, Ontario
L5R 3M3
Canada

Toll Free: 1-800-387-0369
Local: 905-306-1093
Fax: 1-800-395-1498
www.DXV.ca

In Mexico:

DXV
Via Morelos 330
Col. Santa Clara Coatlilla
Ecatepec, Estado de México 55540

Toll Free: 01-800-8391200
www.DXV.mx

PART OF LIXIL