

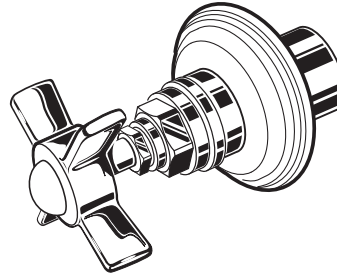
INSTALLATION INSTRUCTIONS



Landfair® Cross Handle Trim Kits for Wall Valves

Model D35107740

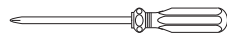
To be used with
D35000710.191 - 1/2" Rough Valve
D35000700.191 - 3/4" Rough Valve



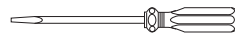
Thank you for selecting DXV. To ensure that your installation proceeds smoothly, please read these instructions carefully before you begin.

RECOMMENDED TOOLS AND MATERIALS

Most of the procedures require the use of common tools and materials, which are available from hardware and plumbing supply stores. It is essential that the tools and materials be on hand before work is begun.



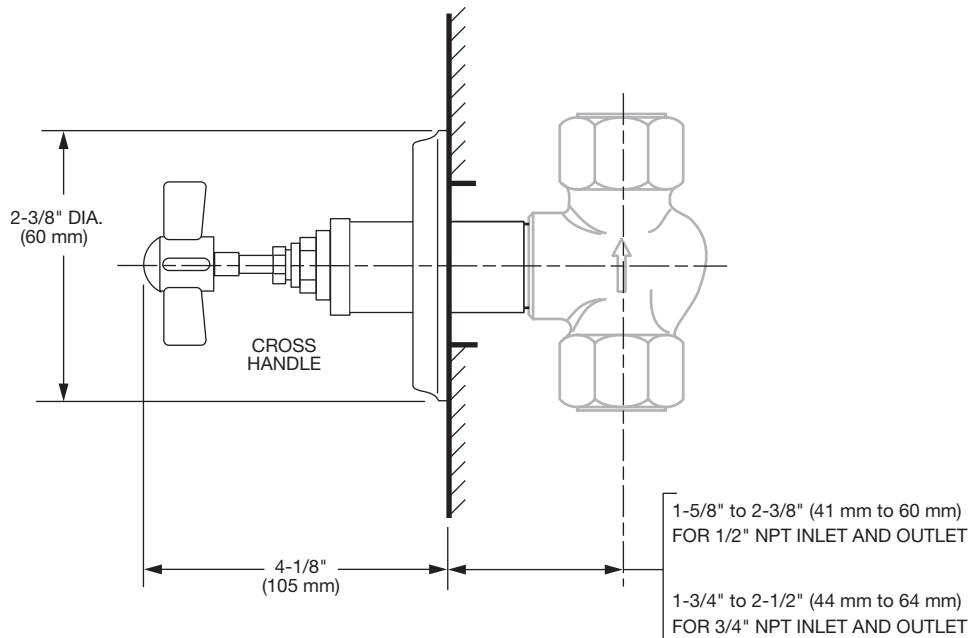
Phillips Screwdriver



Flat Blade Screwdriver

ROUGHING-IN DIMENSIONS:

- For reference



In the United States:

DXV
One Centennial Avenue
Piscataway, New Jersey 08855
Attention: Director of Customer Care

For residents of the United States, warranty information may also be obtained by calling the following toll free number: (800) 227-2734
www.DXV.com

In Canada:

DXV
5900 Avebury Road
Mississauga, Ontario
L5R 3M3
Canada

Toll Free: 1-800-387-0369
Local: 905-306-1093
Fax: 1-800-395-1498
www.DXV.ca

In Mexico:

S
A
V
E

F
O
R

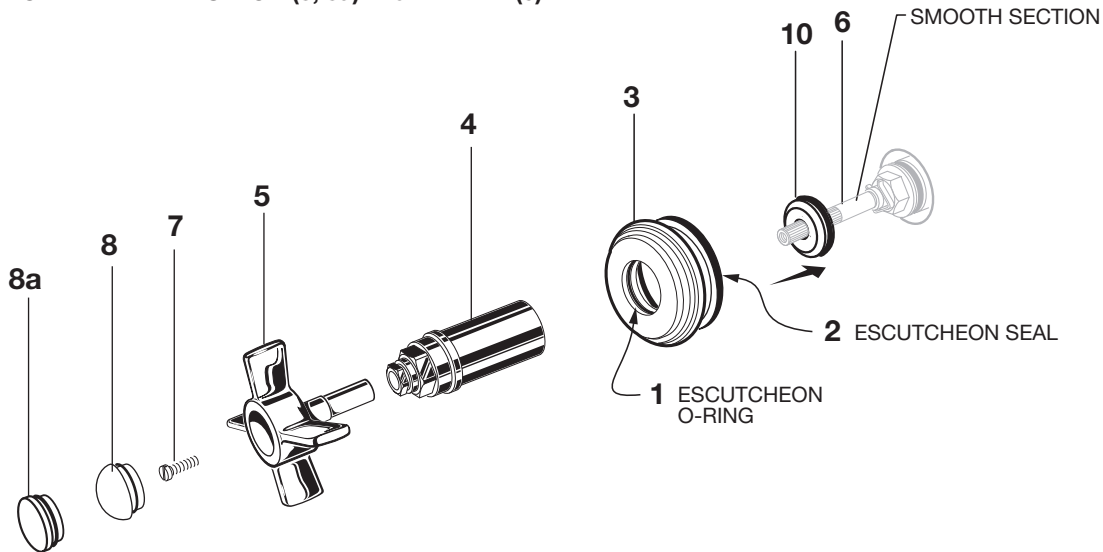
F
U
T
U
R
E

U
S
E

1 INSTALL HANDLE

CAUTION Turn off hot and cold water supplies before beginning.

- Slide BARREL SLEEVE WASHER (10) onto VALVE STEM (6) until WASHER (10) is on the smooth section of the VALVE STEM (6).
- Make sure ESCUTCHEON O-RING (1) and ESCUTCHEON SEAL (2) are in place. Slide ESCUTCHEON (3) onto HANDLE BASE (4). Install HANDLE BASE (4) and ESCUTCHEON (3) onto VALVE STEM (6).
- Align HANDLE (5) as desired and push onto VALVE STEM (6). Install HANDLE SCREW (7) and tighten.
- Push ESCUTCHEON (3) flush against finished wall.
- Push PORCELAIN INDEX BUTTON (8, 8a) into HANDLE (5).



Landfair® Cross Handle Trim Kits for Wall Valves

MODEL NUMBER

D35107740

Replace the "YYY" with appropriate finish code

POLISHED CHROME	100
CARBON BRONZE	110
BRUSHED NICKEL	144
PLATINUM NICKEL	150

