

# INSTALLATION INSTRUCTIONS

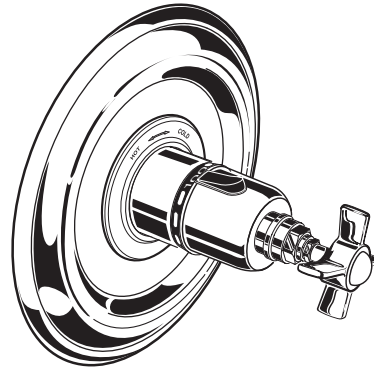


## Landfair® 1/2" (13 mm) & 3/4" (19 mm) Thermostatic Mixing Valve Trim Kit

**Model D35107514**

To be used with  
**D35000510.191 - 1/2" Thermostatic Mixing Valve**  
**D35000530.191 - 3/4" Thermostatic Mixing Valve**

*Thank you for selecting DXV. To ensure that your installation proceeds smoothly, please read these instructions carefully before you begin.*

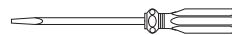


### RECOMMENDED TOOLS AND MATERIALS

Most of the procedures require the use of common tools and materials, which are available from hardware and plumbing supply stores. It is essential that the tools and materials be on hand before work is begun.



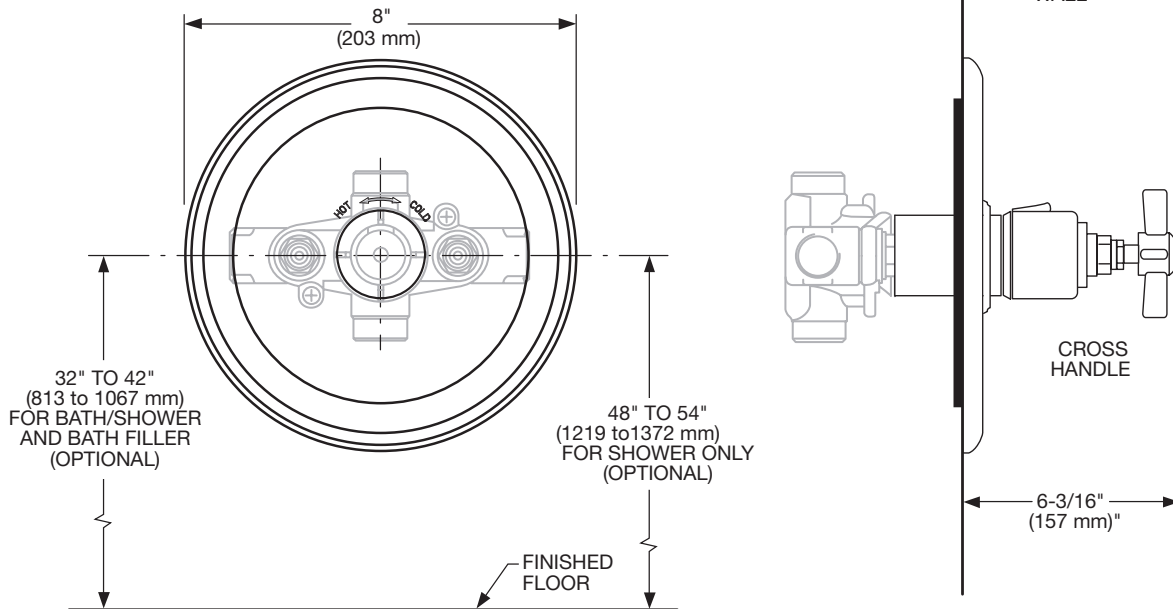
Phillips Screwdriver



Flat Blade Screwdriver

### ROUGHING-IN DIMENSIONS:

- For reference
- To assure proper positioning in relation to wall, note roughing-in dimensions.



#### In the United States:

DXV  
One Centennial Avenue  
Piscataway, New Jersey 08855  
Attention: Director of Customer Care

For residents of the United States, warranty information may also be obtained by calling the following toll free number: (800) 227-2734  
[www.DXV.com](http://www.DXV.com)

#### In Canada:

DXV  
5900 Avebury Road  
Mississauga, Ontario  
L5R 3M3  
Canada

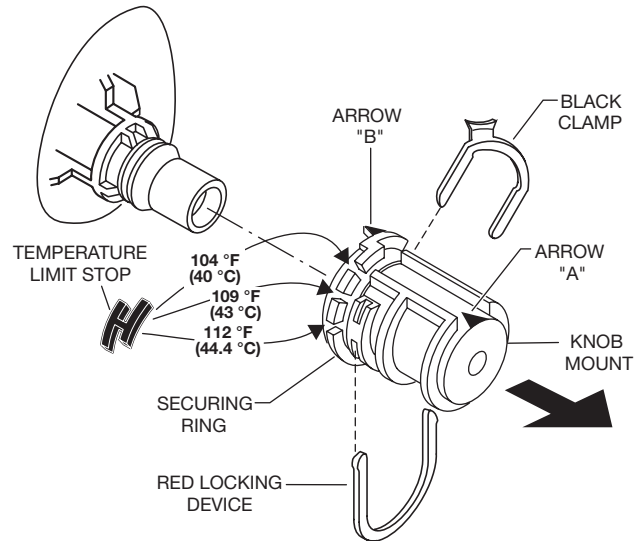
Toll Free: 1-800-387-0369  
Local: 905-306-1093  
Fax: 1-800-395-1498  
[www.DXV.ca](http://www.DXV.ca)

#### In Mexico:

SAVE FOR FUTURE USE

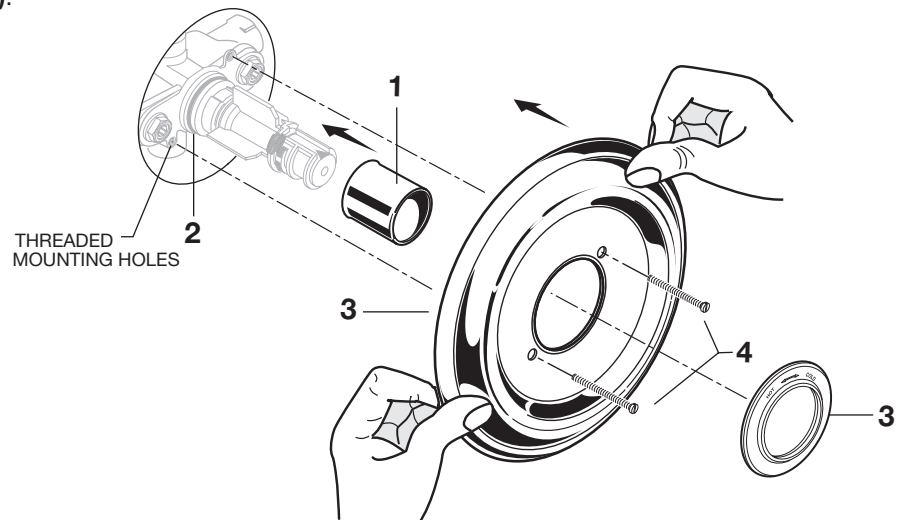
## 1 TEMPERATURE CALIBRATION

- Unscrew PLASTER GUARD SCREWS and remove PLASTER GUARD.
- Check that arrow marking **B** points vertically upwards. If not, push the BLACK CLAMP on the SECURING RING to the right, pull off KNOB MOUNT and reinstall KNOB MOUNT with arrow "**B**" pointing upwards.
- The maximum mixed water temperature is set at 109° F (43° C) at the factory. This setting can be changed if desired.
- Remove the TEMPERATURE LIMIT STOP (H shaped Black Plastic part). Re-install it at the desired notch as indicated in the diagram to limit the maximum mixed water temperature to 104°F or 112°F.
- For 100°F adjustment, turn the water supply on. Turn KNOB MOUNT until the spout temperature is 100°F. Check that arrow marking **A** on the KNOB MOUNT still points upward after adjusting the thermostat to 100°F. If not, pull out the RED LOCKING DEVICE. Remove KNOB MOUNT by pulling it towards you while standing directly in front of the valve.
- Reinstall the KNOB MOUNT so that the arrow marking **A** points upwards.
- Reinstall RED LOCKING DEVICE.



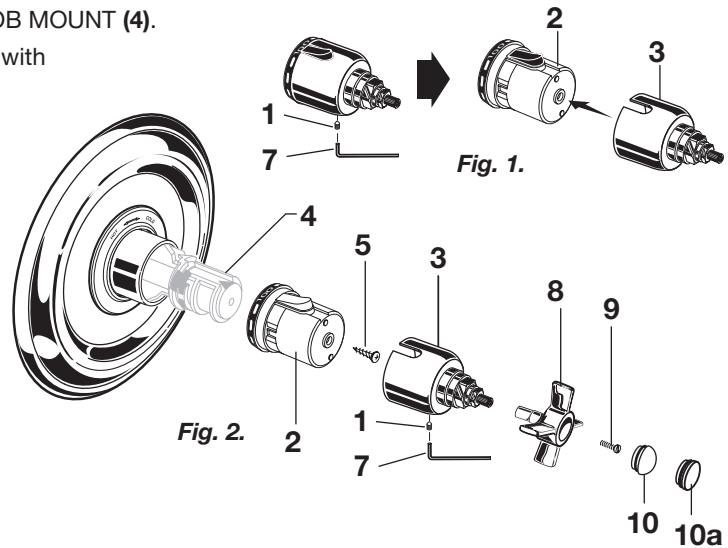
## 2 TRIM INSTALLATION

- Push CAP (1) over the O-RING SEAL (2).
- Align mounting holes in ESCUTCHEON (3) with threaded mounting holes in valve body.
- Secure ESCUTCHEON (3) with SCREWS (4).
- Push DIAL PLATE (5) onto CAP (2).



### 3 HANDLE INSTALLATION

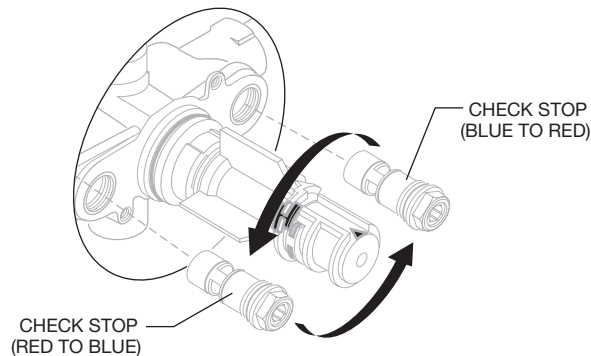
- Use HEX WRENCH (7) supplied to loosen SET SCREW (1). Separate the TEMPERATURE-CONTROL KNOB (2) from the HANDLE BASE (3). **Fig. 1.**
- Push TEMPERATURE-CONTROL KNOB (2) onto KNOB MOUNT (4).
- Attach TEMPERATURE CONTROL KNOB (2) to valve with ATTACHMENT SCREW (5). Push HANDLE BASE (3) onto TEMPERATURE CONTROL KNOB (2). **Fig. 2.**
- Tighten SET SCREW (1) with HEX WRENCH (7) supplied to secure HANDLE BASE (3).
- Align HANDLE (8) as desired and push onto HANDLE BASE (3). Install HANDLE SCREW (10) and tighten.
- Push PORCELAIN INDEX BUTTON (10, 10a) into HANDLE (8).



### 4 TRANSPOSED SUPPLY PIPING

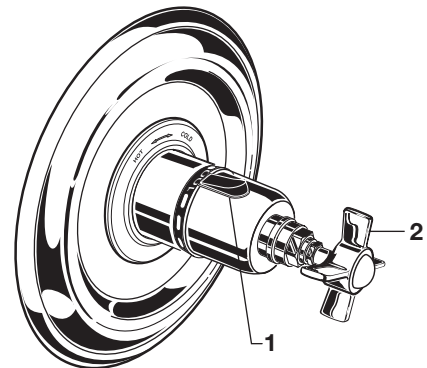
Should the hot and cold water supply pipes have been transposed making adjustment impossible, proceed as follow:

- Shut off water supply.
- Remove handle and rim.
- Remove check stops and re-install them transposed.
- **Important note:** RED CHECK STOP is now on the right of the mixer body and the BLUE CHECK STOP is now on the left.
- Turn the water supply back on and perform the temperature adjustment in step 1.



### 5 OPERATING THE VALVE

- If a temperature over 100°F is desired, push the STOP BUTTON (1) down and turn the TEMPERATURE KNOB (2).
- This will increase the mixed water temperature up to the maximum limit previously selected in step 1.





# Landfair® 1/2" (13 mm) & 3/4" (19 mm) Thermostatic Mixing Valve Shower Trim

MODEL NUMBER

**D35107514**

Replace the "YYY" with appropriate finish code

POLISHED CHROME	100
CARBON BRONZE	110
BRUSHED NICKEL	144
PLATINUM NICKEL	150

