

INSTALLATION INSTRUCTIONS

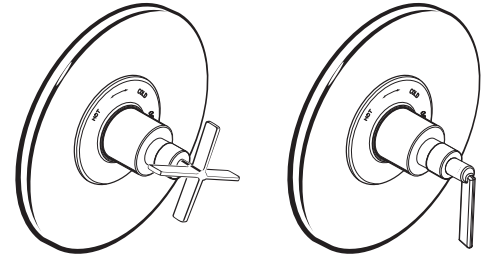
Percy® Pressure Balance Shower Valve Trim Kit

**Cross Handle
Model D35105540**

**Cylinder Handle
Model D35105500**

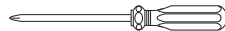
**To be used with D35000500.191
Rough Valve for Pressure Balanced Shower**

Thank you for selecting DXV. To ensure that your installation proceeds smoothly, please read these instructions carefully before you begin.



RECOMMENDED TOOLS AND MATERIALS

Most of the procedures require the use of common tools and materials, which are available from hardware and plumbing supply stores. It is essential that the tools and materials be on hand before work is begun.



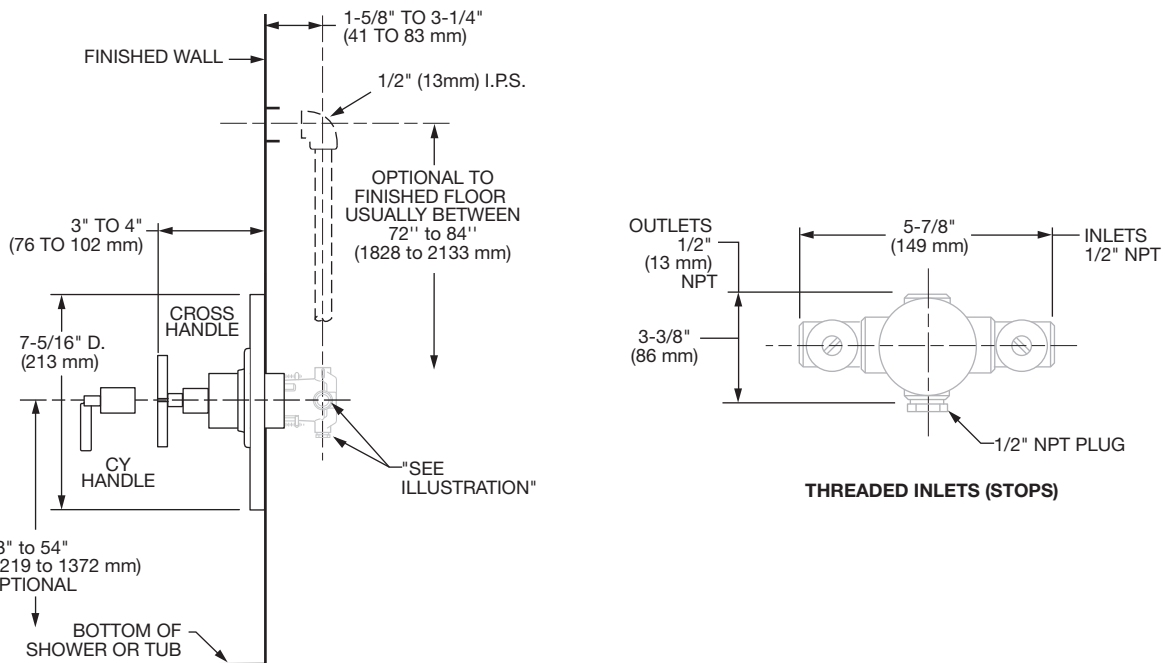
Phillips Screwdriver



Flat Blade Screwdriver

ROUGHING-IN DIMENSIONS:

- For reference



In the United States:

DXV
One Centennial Avenue
Piscataway, New Jersey 08855
Attention: Director of Customer Care

For residents of the United States, warranty information may also be obtained by calling the following toll free number: (800) 227-2734
www.DXV.com

In Canada:

DXV
5900 Avebury Road
Mississauga, Ontario
L5R 3M3
Canada

Toll Free: 1-800-387-0369
Local: 905-306-1093
Fax: 1-800-395-1498
www.DXV.ca

In Mexico:

DXV
Via Morelos 330
Col. Santa Clara Coatlita
Ecatepec, Estado de México 55540

Toll Free: 01-800-8391200
www.DXV.mx

S A V E F O R F U T U R E U S E

1 INSTALL VALVE TRIM

CAUTION Turn off hot and cold water supplies before beginning.

- **Figure 1.** When finished tiling the wall, remove PLASTER GUARD (1).
- Push CARTRIDGE CAP (2) over VALVE CARTRIDGE until seated against stop.
- Install ATTACHMENT SCREW (3) and tighten to secure CARTRIDGE CAP (2) to valve.

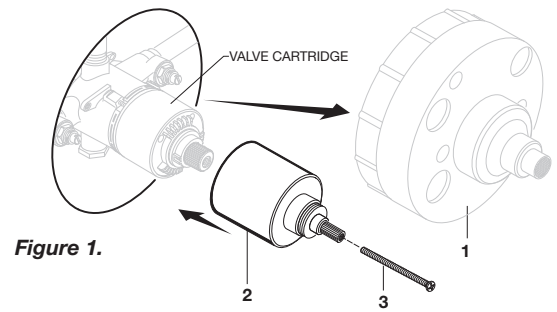


Figure 1.

- 1a**
- **Figure 2.** Align mounting holes and install ESCUTCHEON HOLDER (4) with gasket onto CARTRIDGE CAP (2). Mount ESCUTCHEON SUPPORT (5) to ESCUTCHEON HOLDER (4) with four SCREWS (6).

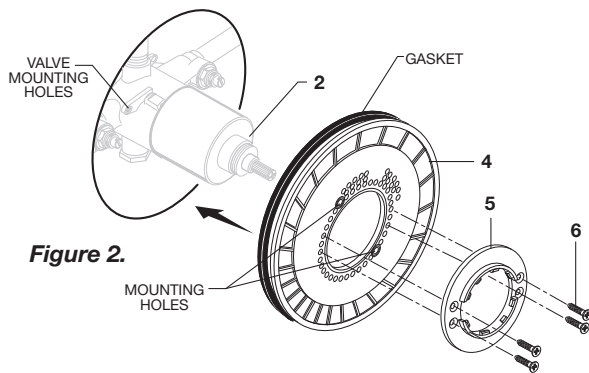


Figure 2.

- 1b**
- **Figure 3.** Push ESCUTCHEON (7) onto CARTRIDGE CAP (2) tight against finished wall.
 - Align mounting holes and install the two MOUNTING SCREWS (8) and tighten.

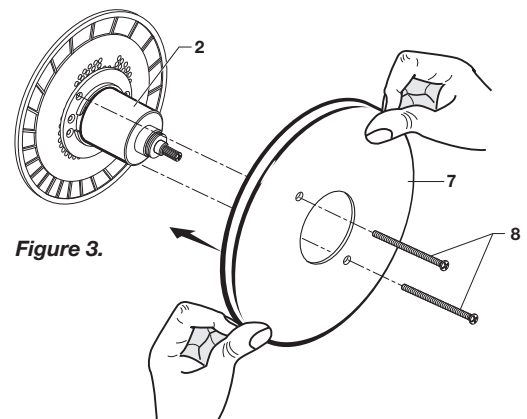
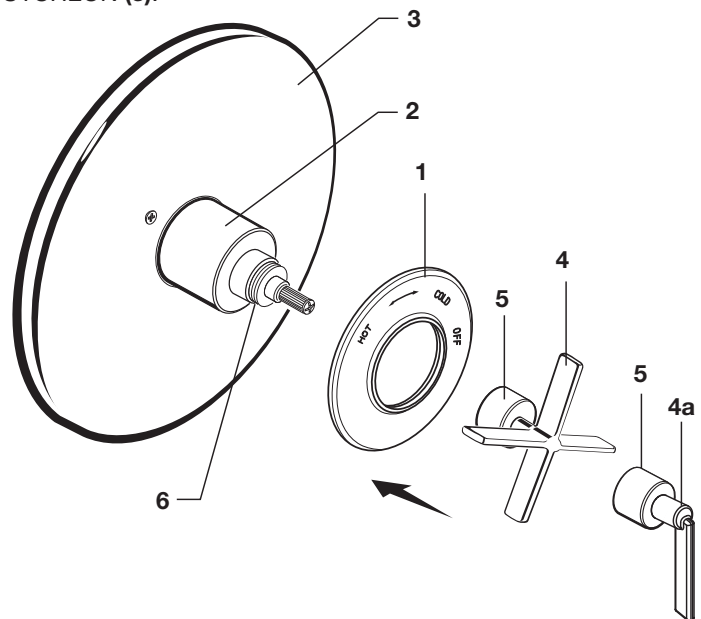


Figure 3.

2 INSTALL HANDLE

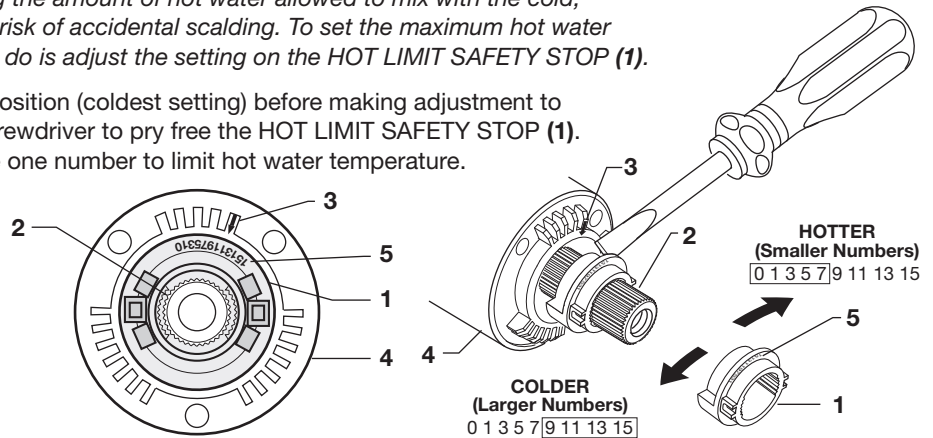
- Push DIAL PLATE (1) onto CAP (2) until flush against ESCUTCHEON (3).
- Align HANDLE (4, 4a) and thread the HANDLE BASE (5) onto the HANDLE SUPPORT (6). Hand tighten.



3 ADJUST HOT LIMIT STOP (MUST BE DONE PRIOR TO TRIM INSTALLATION)

By restricting HANDLE rotation and limiting the amount of hot water allowed to mix with the cold, the HOT LIMIT SAFETY STOP (1) reduces risk of accidental scalding. To set the maximum hot water temperature of your faucet, all you need to do is adjust the setting on the HOT LIMIT SAFETY STOP (1).

- Turn CARTRIDGE STEM (2) to the OFF position (coldest setting) before making adjustment to HOT LIMIT SAFETY STOP (1). Use a flat blade screwdriver to pry free the HOT LIMIT SAFETY STOP (1). Pull forward and rotate counterclockwise one number to limit hot water temperature. Use ARROW (3) on CARTRIDGE (4) and NUMBERS (5) on HOT LIMIT SAFETY STOP (1) for indication.



4 BACK TO BACK INSTALLATION (SEE ILLUSTRATION STEP 6 FOR REFERENCE)

- Remove Handle and Trim from Valve. See step 3 for reference.
- Remove PRESSURE BALANCE UNIT (5). Rotate PRESSURE BALANCE UNIT (5) 180° so that the inlets face up and the large outlet port faces down.
- Push PRESSURE BALANCE UNIT (5) in casting make sure inlets line up with holes in bottom of casting. Top flange should butt up against top of casting.
- Reassemble FIXATION RING (4) and CARTRIDGE (1).

5 TEST INSTALLED FAUCET

- Turn VALVE "off".
- With HANDLE in "off" position, turn on water supplies and check all connections for leaks.
- Operate HANDLE and flush water lines thoroughly.
- Check SPOUT and SHOWER connections for leaks.

6 TO GAIN ACCESS TO VALVE FOR SERVICING

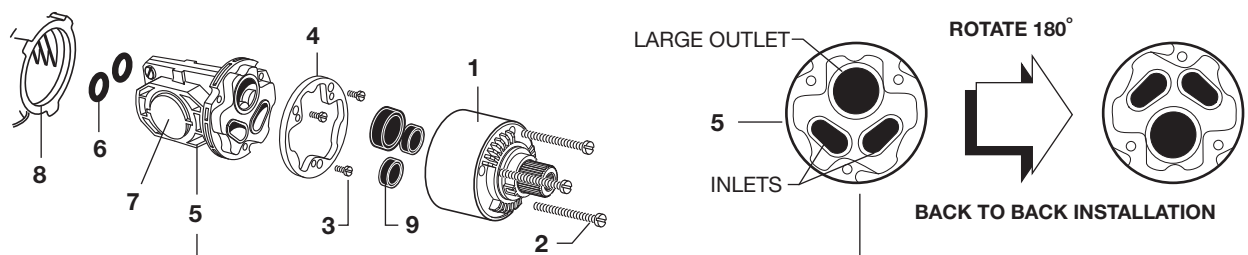
- Remove Handle and Trim from Valve. See step 3 for reference.
- Shut off water supply by either closing off main water supply, or closing off the hot and cold CHECK STOPS on valve, if present.

VALVE LEAKS WHEN SHUT OFF

- Remove CARTRIDGE (1) by removing CARTRIDGE SCREWS (2). Remove three SCREWS (3) from FIXATION RING (4) and pull out PRESSURE BALANCING (5) unit.
- Clean SEALS (9) on base of CARTRIDGE (1). Check base of PRESSURE BALANCING UNIT (5) and clean O-RINGS (6). Remove CAPS (7) and check O-RINGS on inside of CAPS (7). Clean inside sealing surfaces of VALVE BODY (8).
- Re-assemble PRESSURE BALANCING UNIT (5) and CARTRIDGE (1). Tighten all screws. Turn on water supply and see above for installing TRIM and HANDLE.

UNABLE TO MAINTAIN CONSTANT TEMPERATURE

- Remove PRESSURE BALANCE UNIT (5). Remove CAPS (7) and clean valve thoroughly.
- Examine balancing unit and check condition of O-ring on end of piston. Piston should move back and forth. Order Repair Part M952100-0070 if balancing unit is defective.
- Replace CAPS (7) and install PRESSURE BALANCE UNIT (5). Make sure inlets line up with two holes in bottom of casting. Top flange should butt-up against top of casting.





Percy[®] Pressure Balanced Shower Valve Trim Kit

MODEL NUMBERS

Cross Handle	D35105540
Cylinder Handle	D35105500

Replace the "YYY" with appropriate finish code

POLISHED CHROME	100
BRUSHED NICKEL	144

