

INSTALLATION INSTRUCTIONS

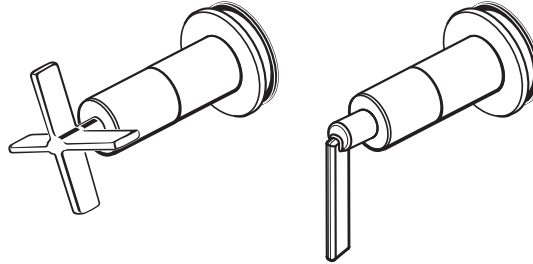


Percy[®] Handle Trim Kits for Straight Wall Valves

**Cross Handle
Model D35105740**

**Cylinder Handle
Model D35105700**

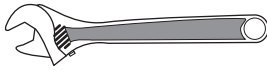
To be used with
D35000710.191 - 1/2" Rough Valve
D35000700.191 - 3/4" Rough Valve



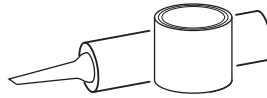
Thank you for selecting DXV. To ensure that your installation proceeds smoothly, please read these instructions carefully before you begin.

RECOMMENDED TOOLS AND MATERIALS

Most of the procedures require the use of common tools and materials, which are available from hardware and plumbing supply stores. It is essential that the tools and materials be on hand before work is begun.



Adjustable Wrench



Plumbers' Putty or Caulking



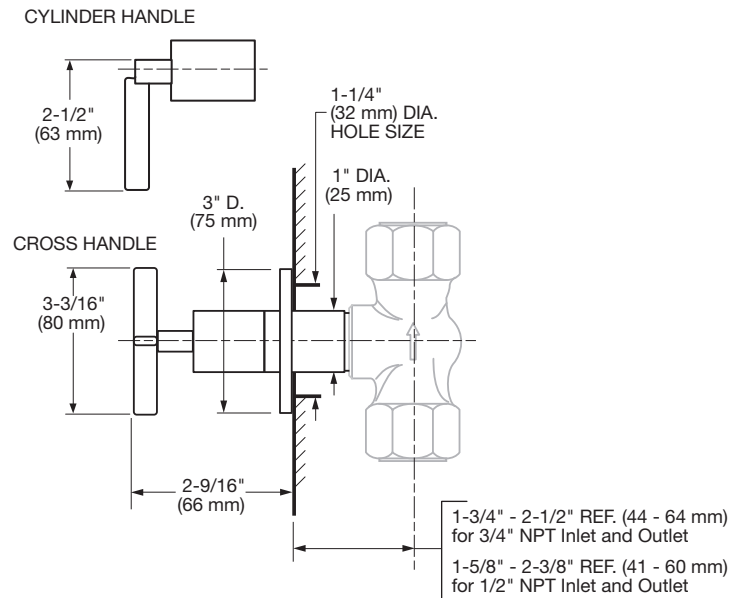
Phillips Screwdriver



Flat Blade Screwdriver

ROUGHING-IN DIMENSIONS:

- For reference



In the United States:

DXV
One Centennial Avenue
Piscataway, New Jersey 08855
Attention: Director of Customer Care

For residents of the United States, warranty information may also be obtained by calling the following toll free number: (800) 227-2734
www.DXV.com

In Canada:

DXV
5900 Avebury Road
Mississauga, Ontario
L5R 3M3
Canada

Toll Free: 1-800-387-0369
Local: 905-306-1093
Fax: 1-800-395-1498
www.DXV.ca

In Mexico:

DXV
Via Morelos 330
Col. Santa Clara Coatitla
Ecatepec, Estado de México 55540

Toll Free: 01-800-8391200
www.DXV.mx

S
A
V
E

F
O
R

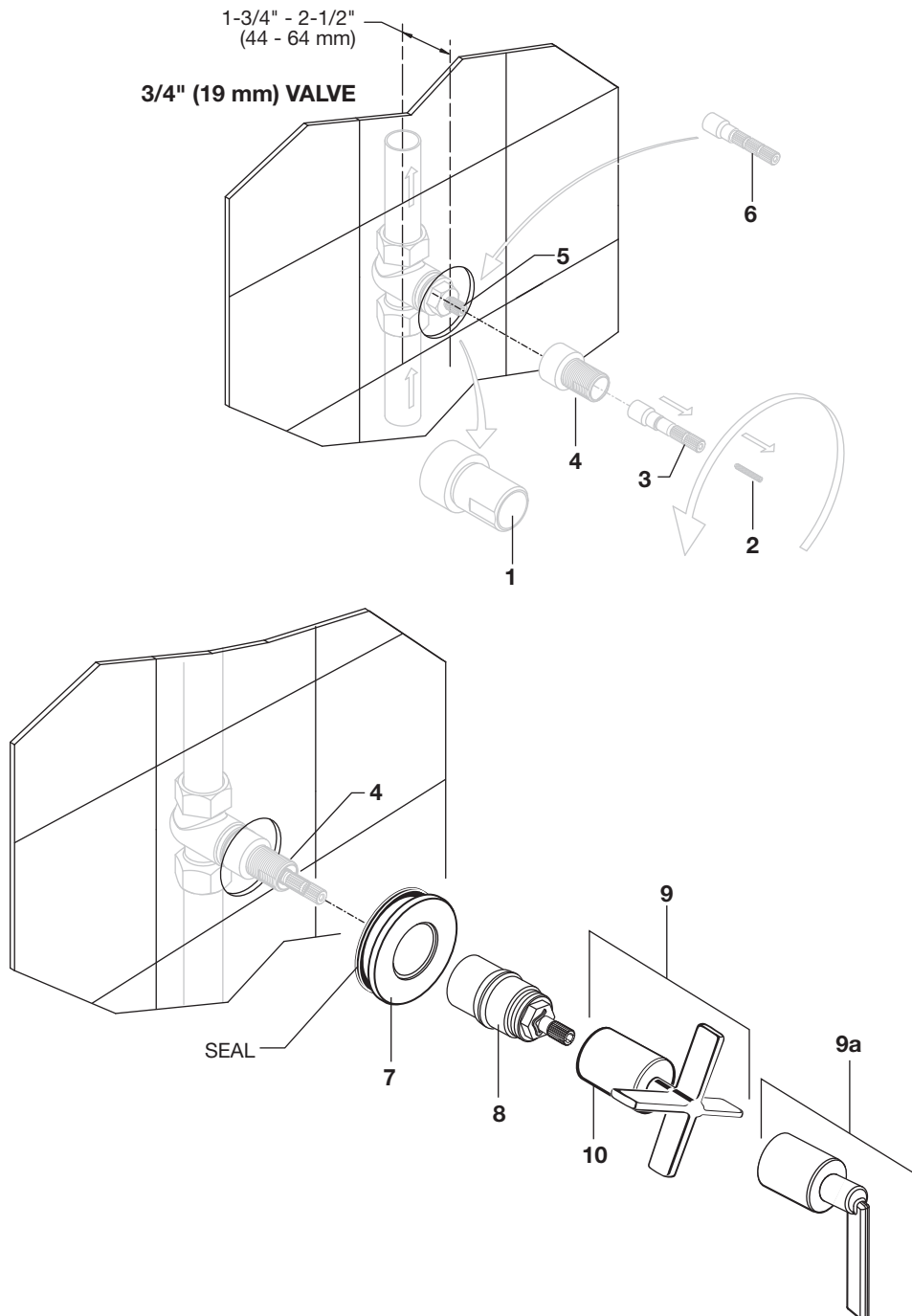
F
U
T
U
R
E

U
S
E

1 INSTALL VALVE TRIM

CAUTION Turn off hot and cold water supplies before beginning.

- Twist and pull off PLASTER GUARD (1).
- For 3/4" (19 mm) VALVE remove STEM SCREW (2). Pull off VALVE STEM (3). Thread HANDLE ADAPTER (4) onto VALVE BODY (5) and replace VALVE STEM (3) with VALVE STEM (6). Replace STEM SCREW (2) and tighten.
- Place ESCUTCHEON (7) over ESCUTCHEON HOLDER (8) and thread onto HANDLE ADAPTER (4) until ESCUTCHEON (7) is flush against finished wall.
- Align HANDLE (9, 9a) and thread HANDLE BASE (10) onto ESCUTCHEON HOLDER (8) until tight.





Percy[®] Handle Trim Kits for Straight Wall Valves

MODEL NUMBERS

Cross Handle
D35105740
Cylinder Handle
D35105700

Replace the "YYY" with
appropriate finish code

POLISHED CHROME	100
BRUSHED NICKEL	144

