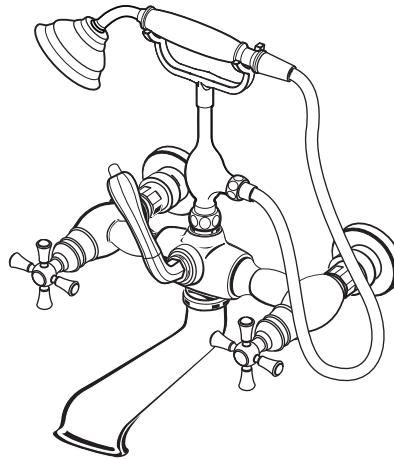


INSTALLATION INSTRUCTIONS



Randall® Exposed Tub Filler with Hand Shower

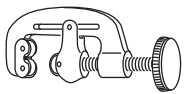
Cross Handle Model D35102980



Thank you for selecting DXV. To ensure that your installation proceeds smoothly, please read these instructions carefully before you begin.

RECOMMENDED TOOLS AND MATERIALS

Most of the procedures require the use of common tools and materials, which are available from hardware and plumbing supply stores. It is essential that the tools and materials be on hand before work is begun.



Tubing Cutter



Channel Locks



Adjustable Wrench



Level



Phillips Screwdriver



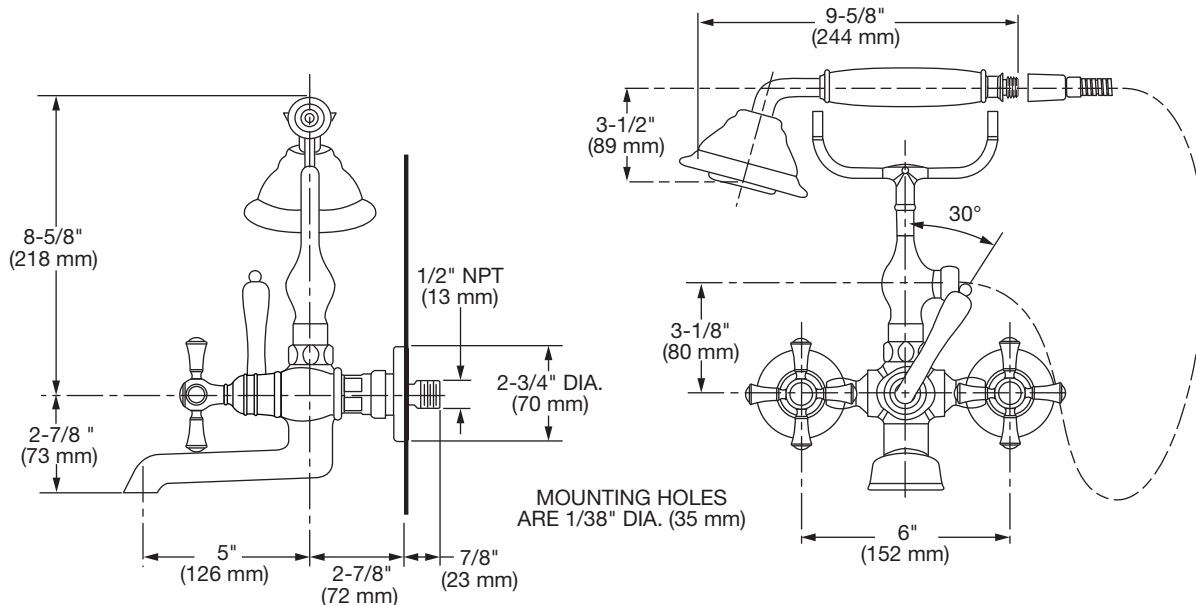
Flat Blade Screwdriver



Sealing Tape

ROUGHING-IN DIMENSIONS:

- For reference



In the United States:

DXV
One Centennial Avenue
Piscataway, New Jersey 08855
Attention: Director of Customer Care

For residents of the United States, warranty information may also be obtained by calling the following toll free number: (800) 227-2734
www.DXV.com

In Canada:

DXV
5900 Avebury Road
Mississauga, Ontario
L5R 3M3
Canada

Toll Free: 1-800-387-0369
Local: 905-306-1093
Fax: 1-800-395-1498
www.DXV.ca

In Mexico:

DXV
Via Morelos 330
Col. Santa Clara Coatitla
Ecatepec, Estado de México 55540

Toll Free: 01-800-8391200
www.DXV.mx

SAVE FOR FUTURE USE

1 INSTALL ROUGH PIPING

CAUTION Turn off hot and cold water supplies before beginning.

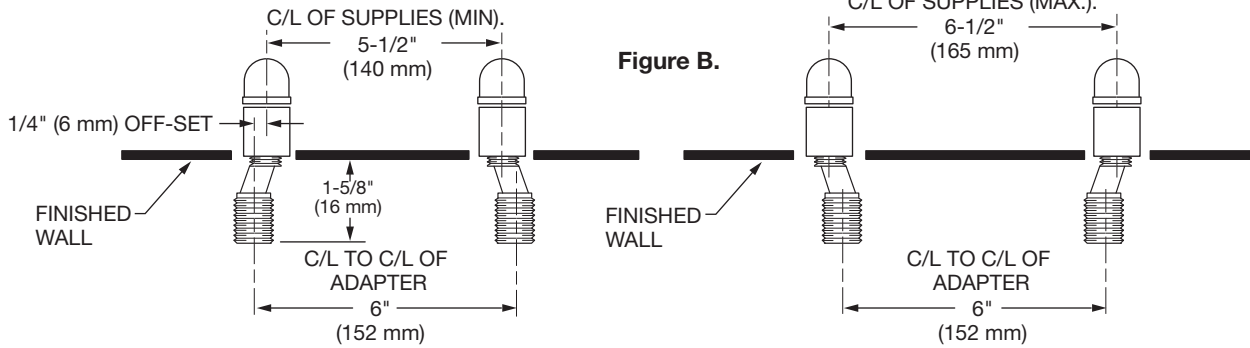
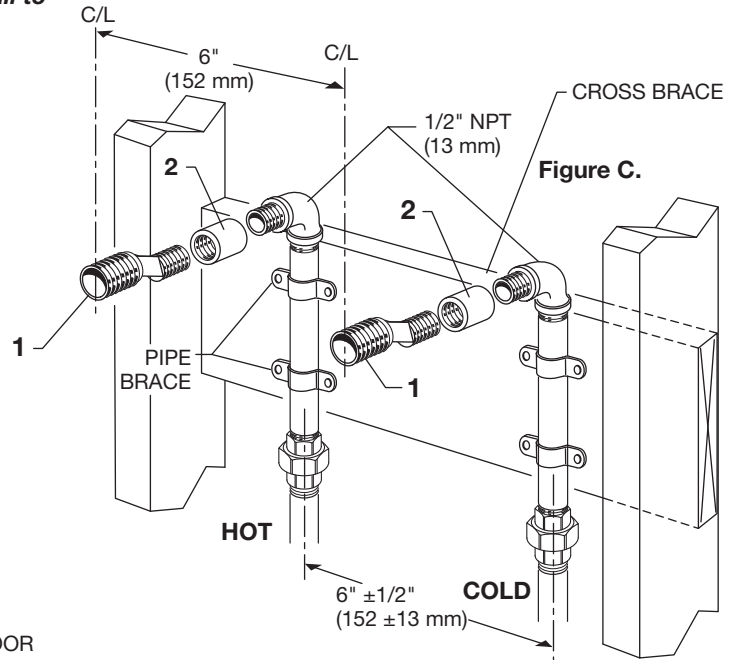
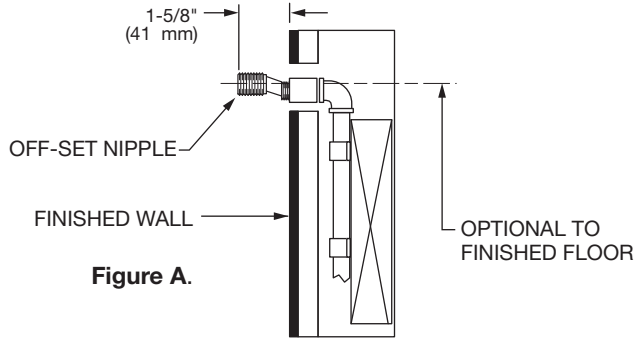
IMPORTANT NOTICE TO THE INSTALLER!

Please check with your local Code Authority for acceptable installation requirements for this Roman Tub set with hand shower. Some local codes may require a vacuum breaker and/or a pressure balanced mixing valve to be installed in conjunction with this product.

- Determine where the finished wall location will be. This measurement is very important!

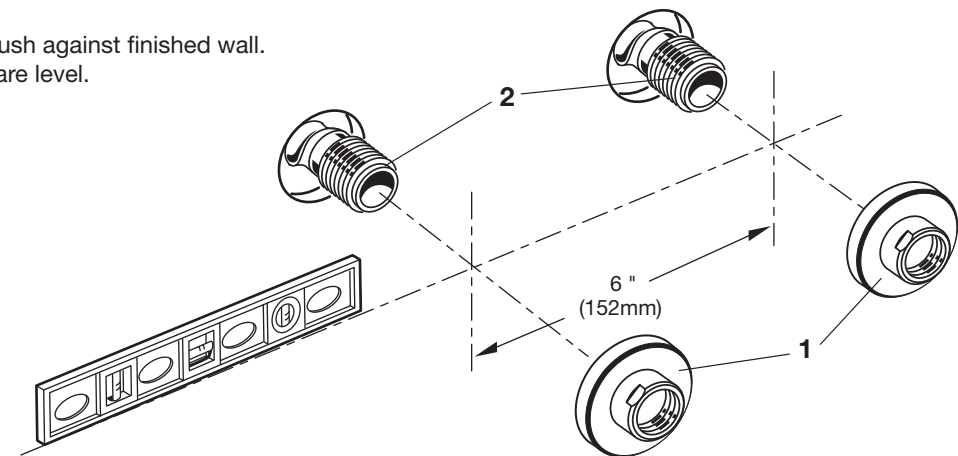
Note: The rough-in measurement from the finished wall to the end of the off-set nipple is 1-5/8" (41mm). See rough-in illustration below. Figure A.

- The C/L of the supplies are 6", ±1/2". **Figure B.**
- Install a cross brace between the wall studs.
- Apply thread sealant or Teflon Tape to threads of Hot and Cold supplies connections. Assemble 1/2" (13 mm) NPT SUPPLIES at 6" (152 mm) from center to center. Thread ECCENTRICS (1) into roughed-in 1/2" SUPPLY COUPLINGS (2). Center to center dimension of ECCENTRICS (1) is 6" (152 mm). **Figure C.**
- Finish all wall construction.



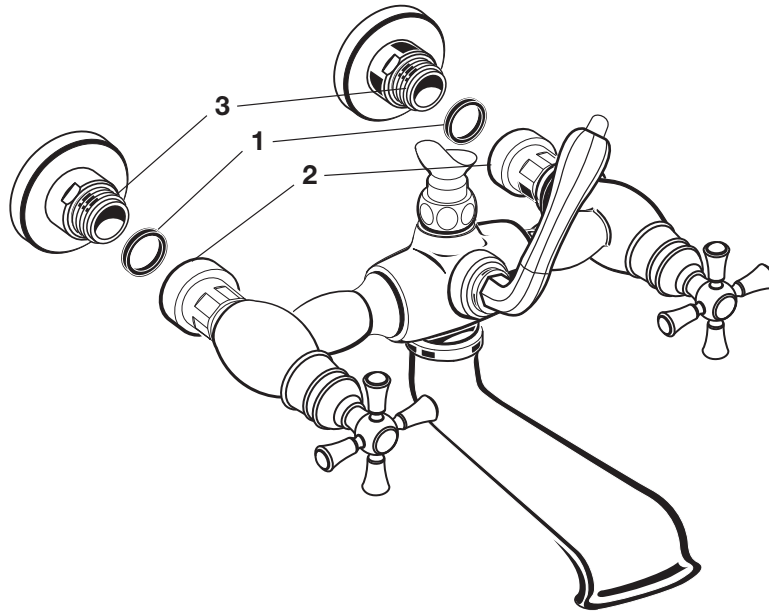
2 INSTALL ESCUTCHEONS

- Thread ESCUTCHEONS (1) flush against finished wall. Make sure ECCENTRICS (2) are level.



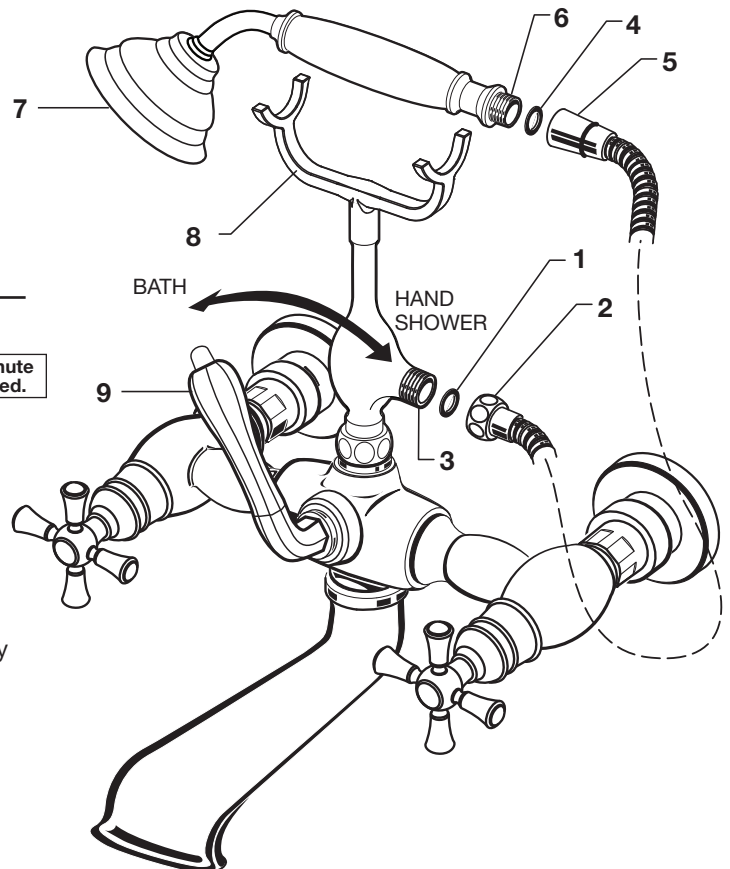
3 INSTALL FAUCET

- Install SEAL WASHERS (1) into COUPLING NUTS (2).
- Thread COUPLING NUTS (2) onto ECCENTRICS (3) and tighten.



4 CONNECT HOSE AND SPRAY

- Install SEAL WASHER (1) and connect smaller end of HOSE (2) to Outlet Nipple on side of BRACKET (3).
- Install SEAL WASHER (4) to conical end of HOSE (5) and attach HAND SPRAY (6).
- Fully tighten both connections.



5 TEST INSTALLED FAUCET

CAUTION The flow rate of this Tub Filler exceeds 20 gallons/minute at higher water pressure. Do not fill bathtub unattended.

- Turn VALVES to “off” position.
- With handles in “off” position, turn on water supplies and check all connections for leaks.
- Remove HAND SHOWER (7) and operate both handles to flush lines.
- Lift HAND SHOWER (7) from BRACKET (8) and direct spray into tub. Remove HAND SHOWER (7) from HOSE (5). Turn DIVERTER LEVER (9) to SHOWER and check all connections for leaks. Replace HAND SHOWER (7) onto HOSE (5).

DXV

Randall® Exposed Tub Filler with Hand Shower

MODEL NUMBER

D35102980

Replace the "YYY" with
appropriate finish code

POLISHED CHROME	100
BRUSHED NICKEL	144
PLATINUM NICKEL	150
SATIN BRASS	427

