

# INSTALLATION INSTRUCTIONS



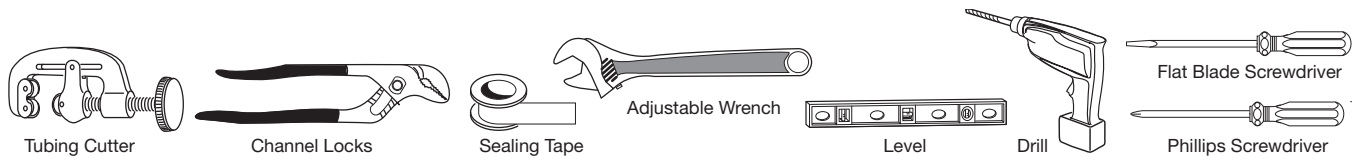
## Contemporary Free Standing Floor Mount Tub Filler Model D35901971



Thank you for selecting DXV. To ensure that your installation proceeds smoothly, please read these instructions carefully before you begin.

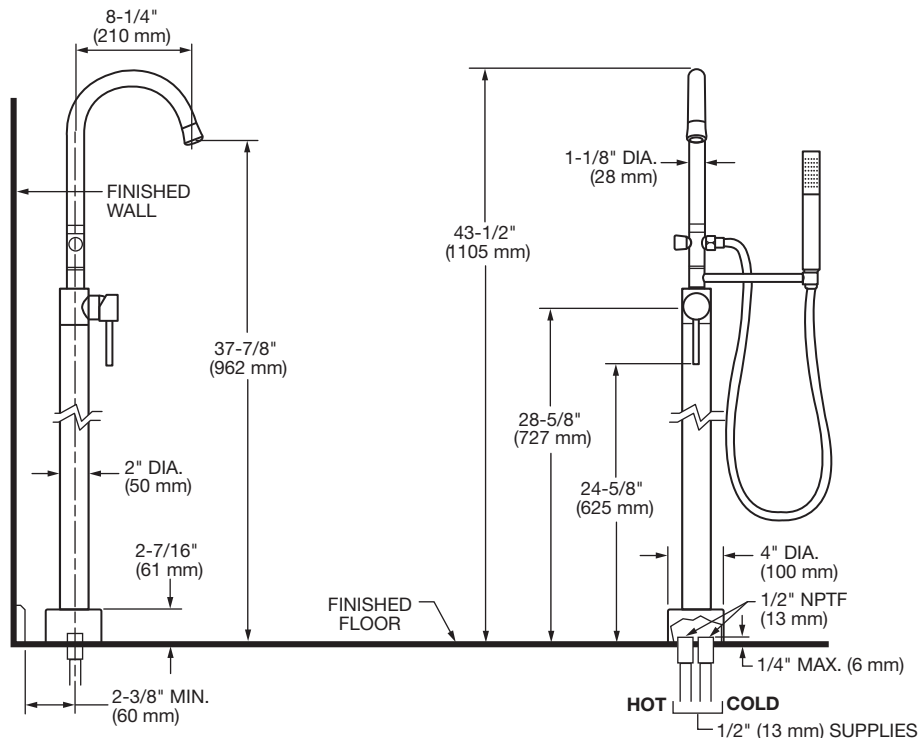
### RECOMMENDED TOOLS AND MATERIALS

Most of the procedures require the use of common tools and materials, which are available from hardware and plumbing, supply stores. It is essential that the tools and materials be on hand before work is begun.



### ROUGHING-IN DIMENSIONS:

- For reference



#### In the United States:

DXV  
One Centennial Avenue  
Piscataway, New Jersey 08855  
Attention: Director of Customer Care

For residents of the United States, warranty information may also be obtained by calling the following toll free number: (800) 227-2734  
www.DXV.com

#### In Canada:

DXV  
5900 Avebury Road  
Mississauga, Ontario  
L5R 3M3  
Canada

Toll Free: 1-800-387-0369  
Local: 905-306-1093  
Fax: 1-800-395-1498  
www.DXV.ca

#### In Mexico:

DXV  
Via Morelos 330  
Col. Santa Clara Coatlilla  
Ecatepec, Estado de México 55540

Toll Free: 01-800-8391200  
www.DXV.mx

SAVE FOR FUTURE USE

## 1 SPOUT ASSEMBLY

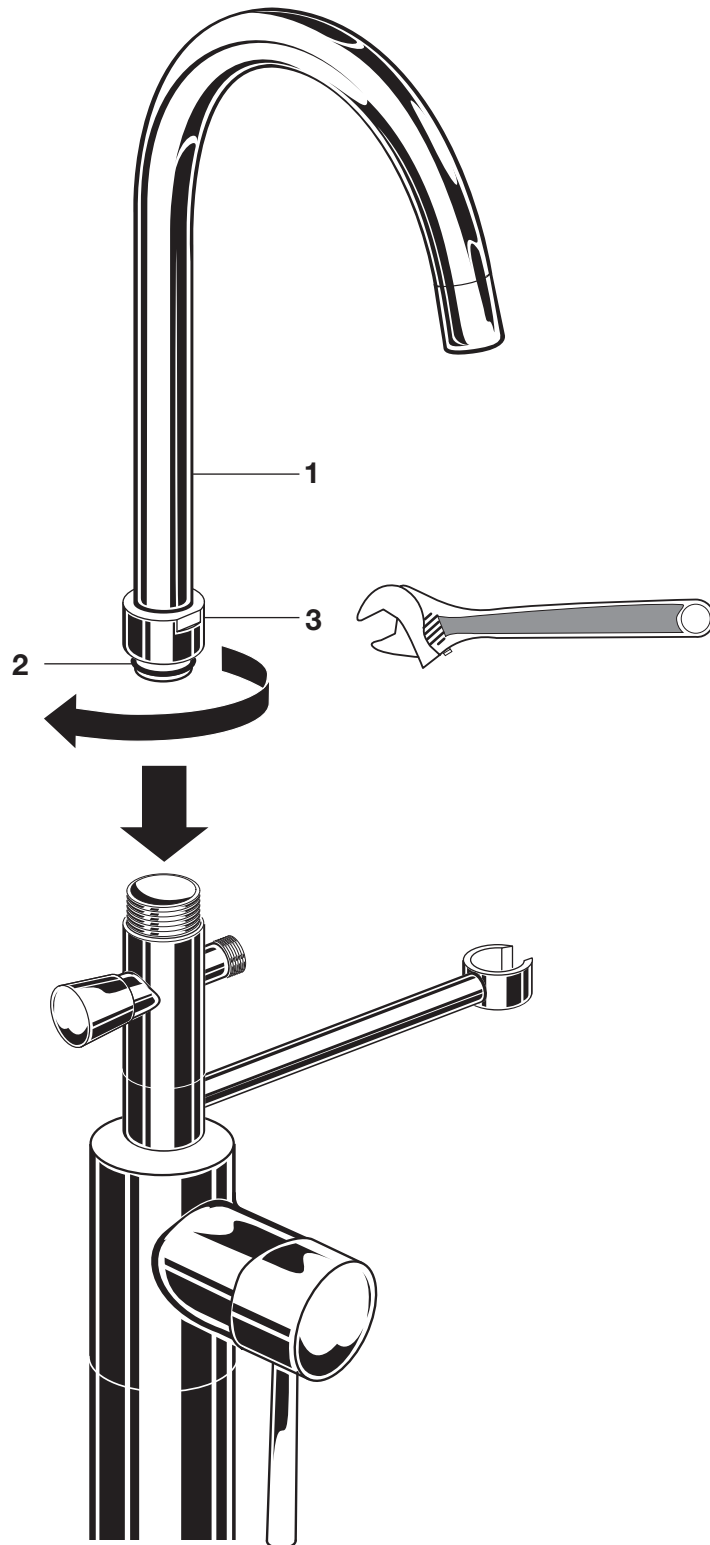
**CAUTION** Turn off hot and cold water supplies before beginning.

### IMPORTANT NOTICE TO THE INSTALLER

Please check with your local Code Authority for acceptable installation requirements for this Roman Tub set with hand shower. Some local codes may require a vacuum breaker and/or a pressure balanced mixing valve to be installed in conjunction with this product.

- Install SPOUT (1) into faucet body. Make sure O-RING (2) is installed and not damaged.
- Hand tighten SPOUT NUT (3). Align and center the SPOUT (1) with the center line of the faucet body. With an adjustable wrench fully tighten the SPOUT NUT (3).

**Note:** Be careful not to scratch faucet while tightening SPOUT (1).



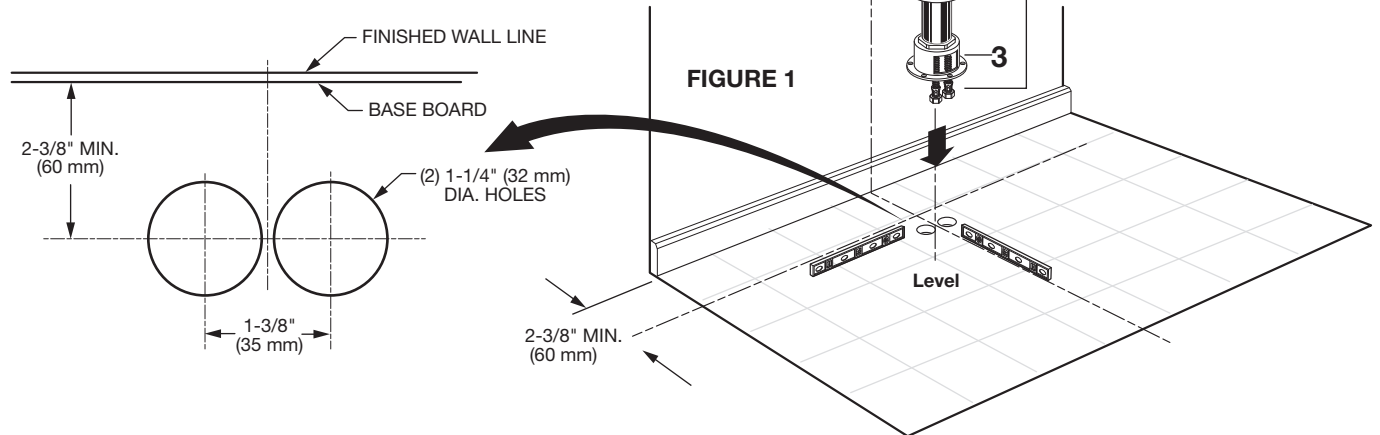
## 2 DETERMINE MOUNTING LOCATION

**FIGURE 1.**

- Determine the distance from the finished wall to the center of the floor water supply holes and mark a centerline. This measurement cannot be less than 2-3/8" (60 mm) from the finished wall including any base board moldings.
- Drill two 1-1/4" (32 mm) diameter holes for 1/2" (13 mm) Hot and Cold supplies.
- Slide FLANGE COVER (1) upwards on the TUB FILLER ASSEMBLY (2).

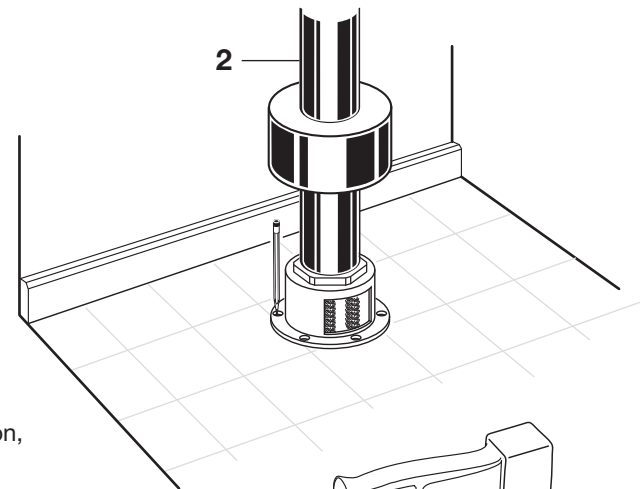
**Note: Check that floor is level in both directions.**

- Place MOUNTING FLANGE (3) over the two floor supply holes. Align and center the TUB FILLER ASSEMBLY (2).



**FIGURE 2.**

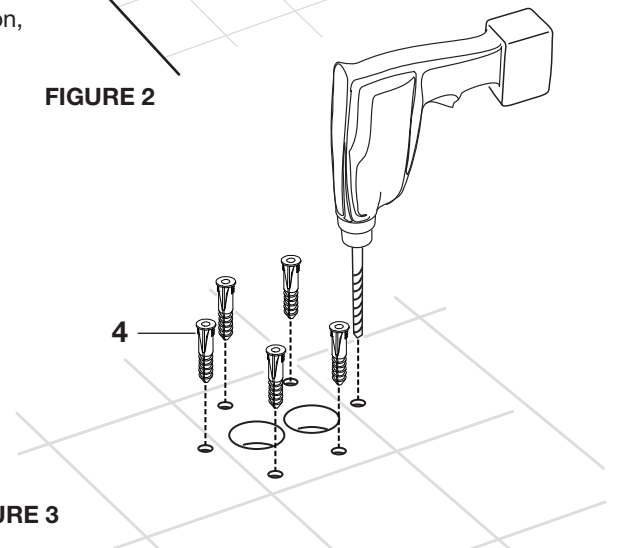
- With the TUB FILLER ASSEMBLY (2) aligned and in desired position, mark on the floor the six mounting holes for the floor flange.



**FIGURE 3.**

- Drill six 1/4" (6 mm) diameter holes 1-3/4" (44 mm) deep.
- Install the six ANCHORS (4) supplied, flush with the top of the finished floor.

**FIGURE 3**



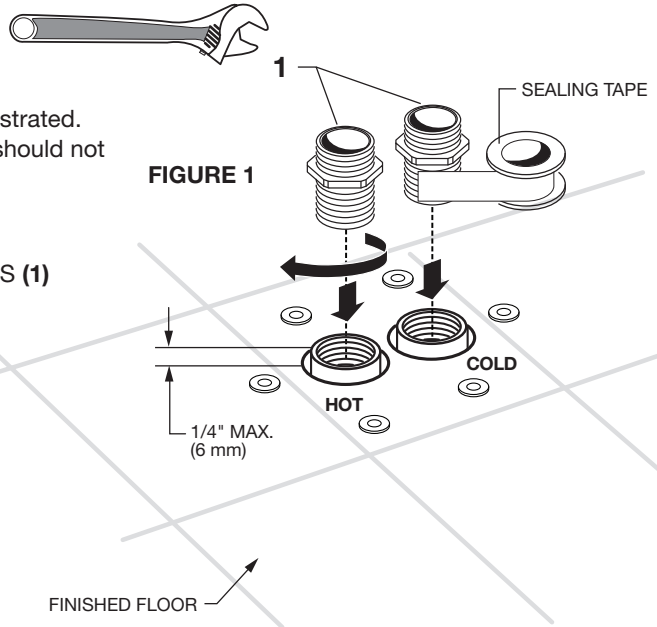
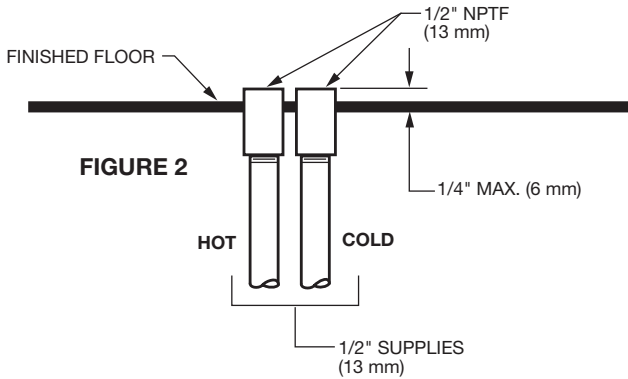
### 3 INSTALL TUB FILLER ASSEMBLY

#### INSTALL WATER SUPPLIES AND ADAPTERS

- Install the Hot and Cold water supplies through the floor as illustrated. The supplies are 1/2" (13 mm) NPTF. The 1/2" NPTF supplies should not extend more than a 1/4" (6 mm) max. above the finished floor.

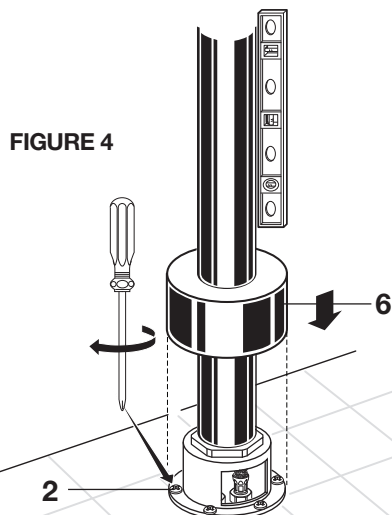
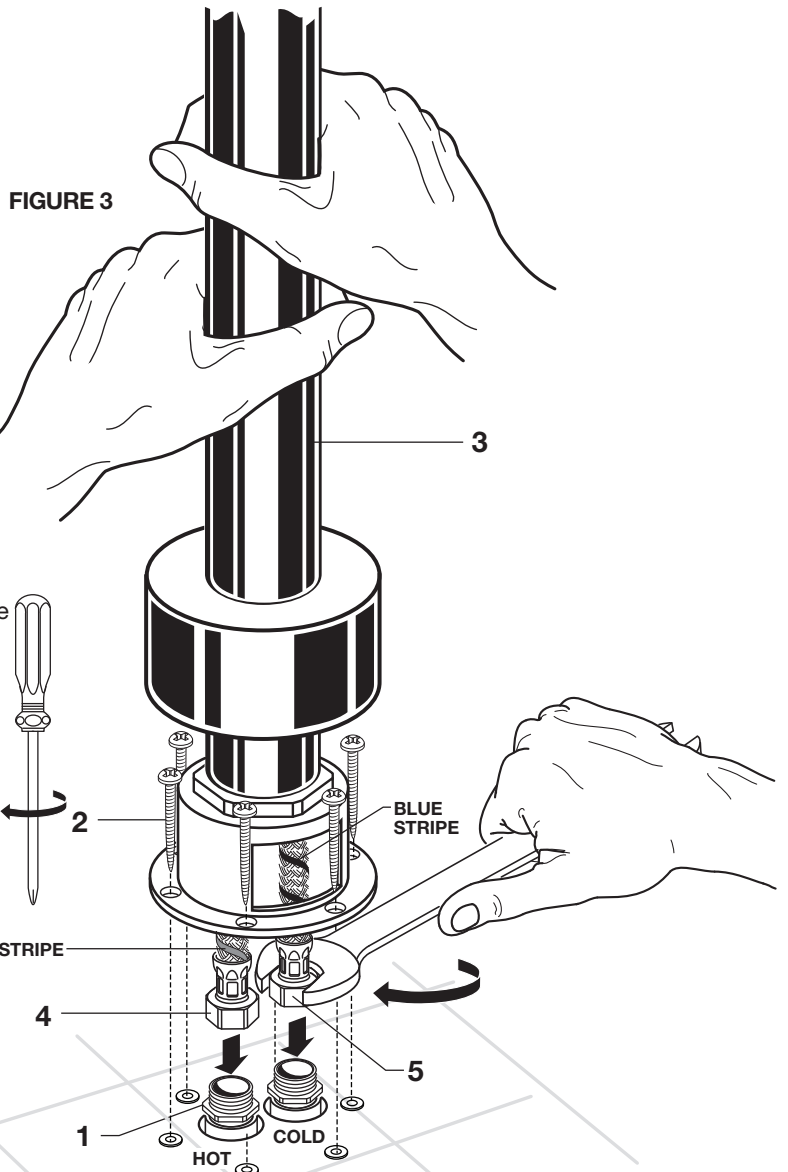
#### FIGURES 1 and 2.

- Apply sealing tape (SUPPLIED) to the threads on the longer side of the HOSE ADAPTERS (1). Thread the HOSE ADAPTERS (1) into the floor supplies and tighten fully. **FIGURE 1.**



**Note: Two people will be needed to install the TUB FILLER ASSEMBLY (3), one holding the assembly and one making the supply connections.**

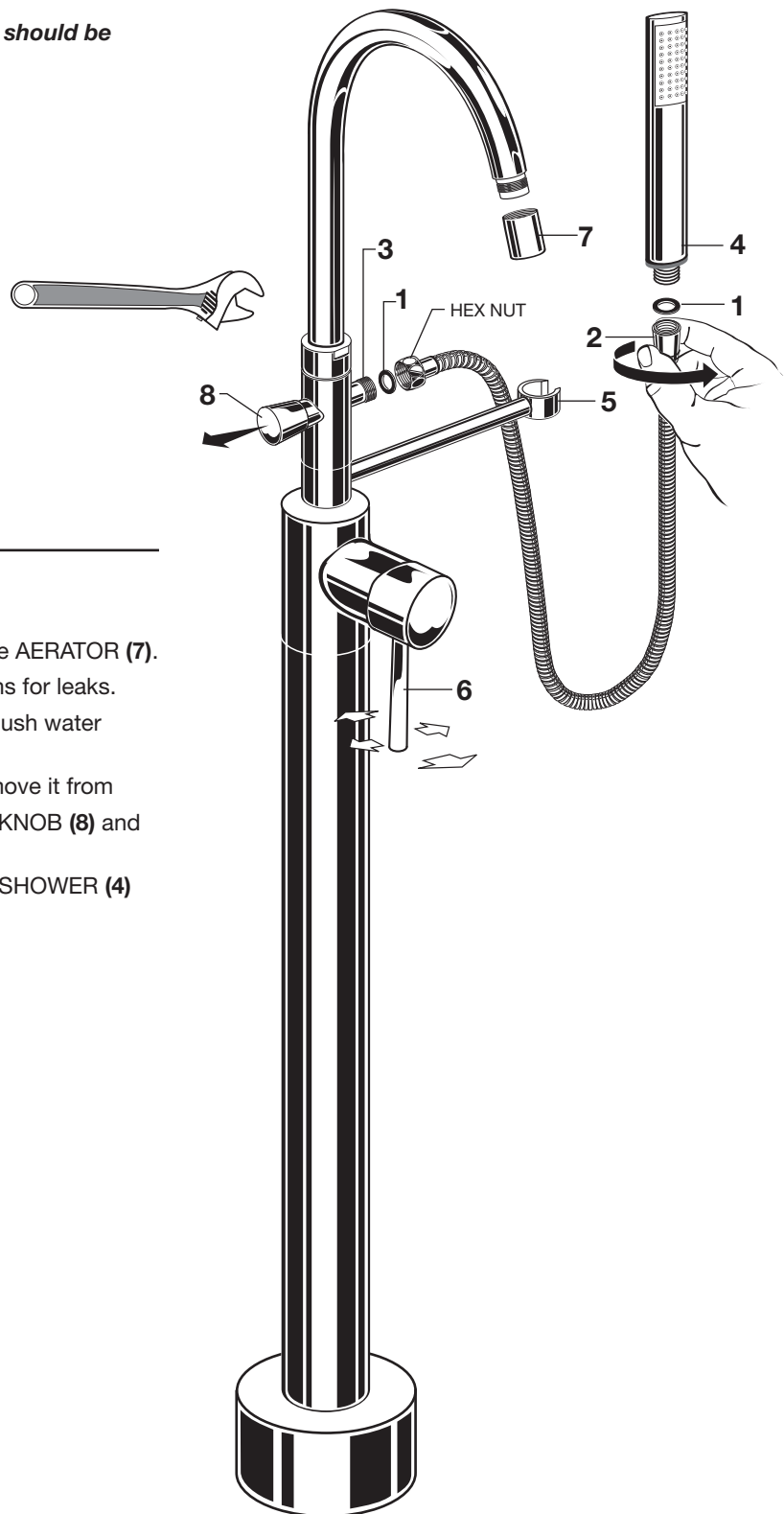
- While holding the TUB FILLER ASSEMBLY (3) in place over the floor and water supplies, connect the FLEXIBLE HOT and COLD WATER SUPPLY LINES (4, 5) to the HOSE ADAPTERS (1). **FIGURE 3.**
- Connect the HOT WATER SUPPLY HOSE (4) (marked with red stripe) to the Hot water supply from the floor and the COLD WATER SUPPLY HOSE (5) (marked with blue stripe) to Cold water supply from the floor. Use an adjustable wrench or 7/8" (22 mm) open end wrench to tighten connections. Do not over tighten.
- Hold the TUB FILLER ASSEMBLY (3) in place and install the six MOUNTING SCREWS (2).
- Check alignment and level before final tightening of the MOUNTING SCREWS (2). Push FLANGE COVER (6) flush against finished floor. **FIGURE 4.**



#### 4 INSTALL HAND SHOWER

- Install SEALS (1) on both ends of the SPRAY HOSE (2) and connect the one end with the hex nut to the TUB FILLER ASSEMBLY (3) using an adjustable wrench. Hand tighten the connection to the HAND SHOWER (4).

**Note:** When not in use, the HAND SHOWER (4) should be seated in the HOLDER (5).



#### 5 TEST INSTALLED FAUCET

- Move HANDLE (6) into "off" position and remove AERATOR (7).
- Turn on water supplies and check all connections for leaks.
- Operate HANDLE (6) on to off, hot and cold to flush water lines thoroughly.
- Lift HAND SHOWER (4) from the holder and remove it from HOSE (2). Direct spray into tub. Pull DIVERter KNOB (8) and check HOSE (2) connections for leaks.
- Push DIVERter KNOB (8) in and thread HAND SHOWER (4) onto HOSE.



# Contemporary Free Standing Floor Mount Tub Filler

MODEL NUMBER

**D35901971**

Replace the "YYY" with appropriate finish code

POLISHED CHROME	100
BRUSHED NICKEL	144
PLATINUM NICKEL	150

