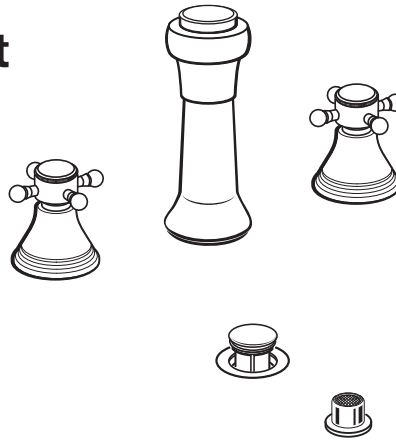


INSTALLATION INSTRUCTIONS



Ashbee™ 3-Hole Bidet Set with Vacuum Breaker

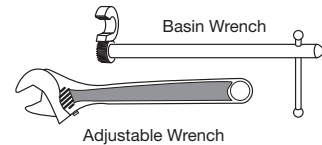
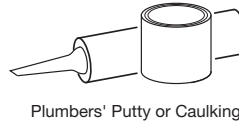
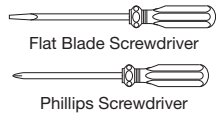
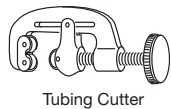
**Cross Handle
Model D35101334**
**Lever Handle
Model D35101330**



Thank you for selecting DXV. To ensure that your installation proceeds smoothly, please read these instructions carefully before you begin.

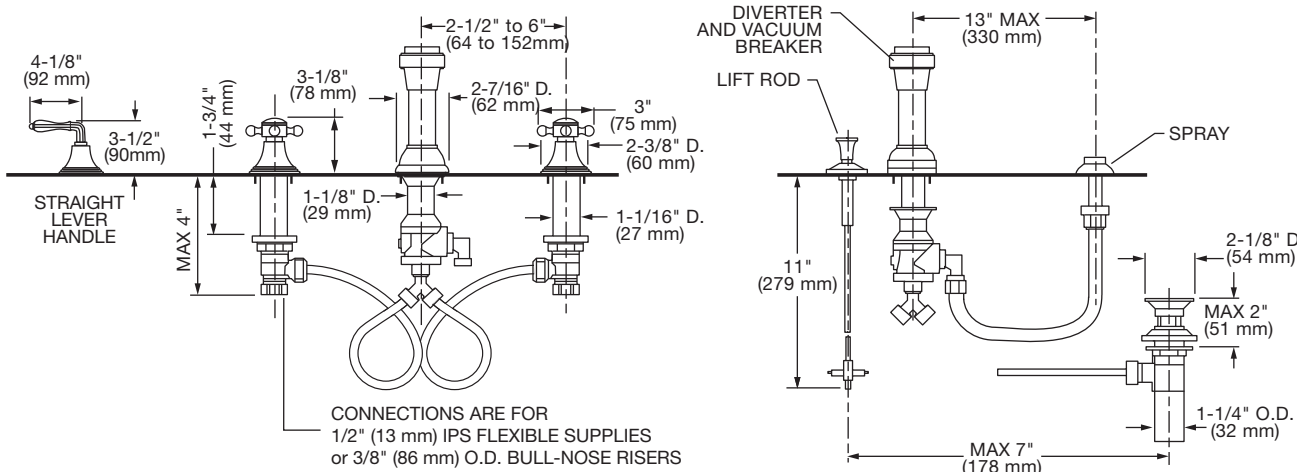
RECOMMENDED TOOLS AND MATERIALS

Most of the procedures require the use of common tools and materials, which are available from hardware and plumbing supply stores. It is essential that the tools and materials be on hand before work has begun.



ROUGHING-IN DIMENSIONS:

• For reference



In the United States:

DXV
One Centennial Avenue
Piscataway, New Jersey 08855
Attention: Director of Customer Care

For residents of the United States, warranty information may also be obtained by calling the following toll free number: (800) 227-2734
www.DXV.com

In Canada:

DXV
5900 Avebury Road
Mississauga, Ontario
L5R 3M3
Canada

Toll Free: 1-800-387-0369
Local: 905-306-1093
Fax: 1-800-395-1498
www.DXV.ca

In Mexico:

DXV
Via Morelos 330
Col. Santa Clara Coatitla
Ecatepec, Estado de México 55540

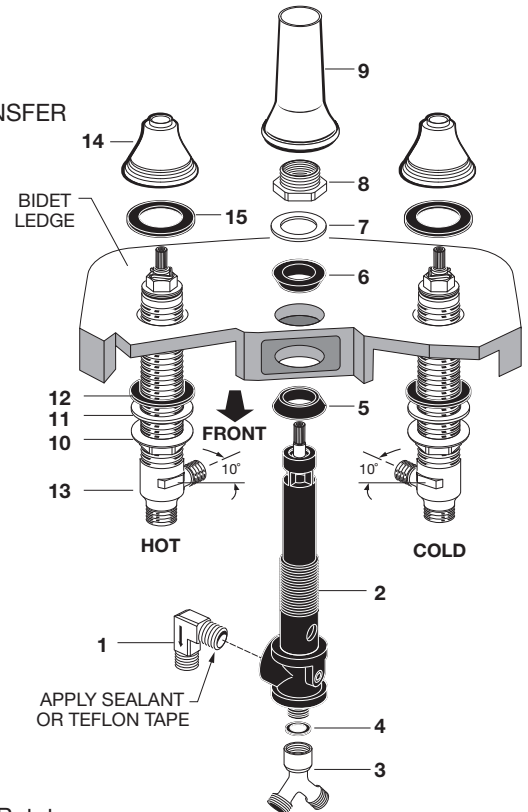
Toll Free: 01-800-8391200
www.DXV.mx

SAVE FOR FUTURE USE

1 INSTALL TRANSFER VALVE

CAUTION Turn off hot and cold water supplies before beginning.

- Apply sealant or Teflon tape to threads of SPRAY ELL (1) and install into TRANSFER VALVE (2). **Note: Arrow on SPRAY ELL (1) points down, see illustration.**
- Install “Y” HOSE ADAPTER (3) with SEAL (4) to bottom nipple of TRANSFER VALVE (2) and tighten to make a water tight seal.
- Install LOWER CONE SEAL (5) onto TRANSFER VALVE (2) and insert TRANSFER VALVE (2) from under side of Bidet into the center forward hole.
- Install UPPER CONE SEAL (6), FRICTION WASHER (7) and MOUNTING NUT (8) onto TRANSFER VALVE (2).
- Tighten MOUNTING NUT (8) to secure the TRANSFER VALVE (2) and make a water tight seal.
- Thread TRANSFER VALVE ESCUTCHEON (9) onto MOUNTING NUT (8) until snug against bidet ledge.



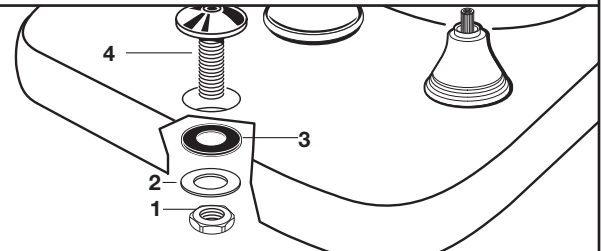
2 INSTALL CONTROL VALVES

Note: VALVE BODY marked Hot is installed in the left Mtg. hole, VALVE BODY marked Cold in the right when facing front of fitting.

- Place LOCKNUTS (10), FRICTION WASHER (11) and RUBBER WASHER (12) onto the VALVE BODIES (13). Insert VALVE BODIES (13) through valve mounting holes from underside of the BIDET LEDGE.
- Insert HANDLE ESCUTCHEON (14) with SEAL WASHER (15) until snug against internal stop.
- Set VALVE BODIES (13) so that their outlets are facing toward DIVERTER (2). Rotate VALVE BODIES (13) about 10 degrees from center and tighten LOCKNUT (10) using wrench to secure VALVES (13).

3 LIFT ROD GUIDE INSTALLATION

- Remove LIFT ROD NUT (1), METAL WASHER (2) and RUBBER SEAL WASHER (3) from LIFT ROD GUIDE (4).
- Drop LIFT ROD GUIDE (4) into rear hole of bidet.
- From below install RUBBER SEAL WASHER (3), METAL WASHER (2) and secure guide assembly with LIFT ROD NUT (1).



4 INSTALL POP-UP DRAIN

FIG. 4a

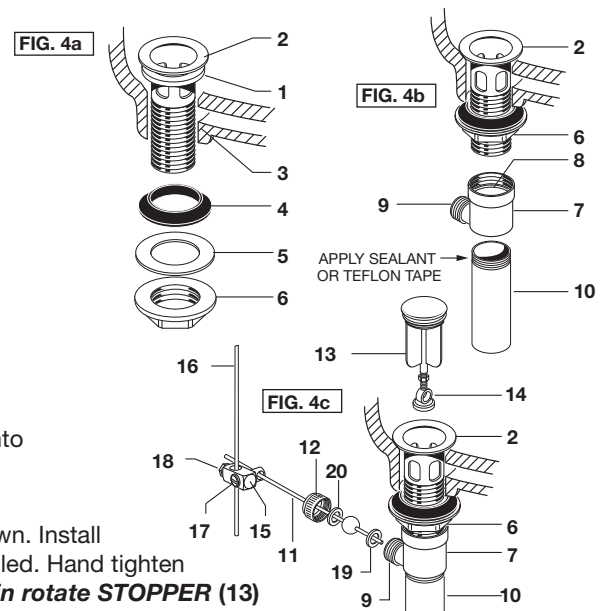
- A FOAM SEAL (1) is installed on underside of FLANGE (2). (Plumbers Putty may be used in place of FOAM SEAL (1) if desired.)
- Drop FLANGE (2) into LAVATORY DRAIN (3). From below assemble RUBBER GASKET (4), PLASTIC WASHER (5) and LOCK NUT (6) onto DRAIN FLANGE (2). Do not tighten fully.

FIG. 4b

- Inspect inside DRAIN BODY (7) that SEAL (8) is installed. Thread DRAIN BODY (7) tight against FLANGE (2) to make a water tight seal.
- The PIVOT ROD OPENING (9) in DRAIN BODY (7) should face the rear of the lavatory. Tighten LOCK NUT (6) on FLANGE (2) to make a water tight connection with channel locks. Do not over tighten.
- Apply sealant or Teflon tape to threads of TAILPIECE (10) and thread into DRAIN BODY (7) making a water tight seal.

FIG. 4c

- Assemble PIVOT ROD (11), WASHER (20) and PIVOT NUT (12) as shown. Install CONCAVE WASHER (19) into PIVOT ROD OPENING (9) if not preinstalled. Hand tighten PIVOT NUT (12). Drop STOPPER (13) into drain. **(To vandal proof drain rotate STOPPER (13) so PIVOT ROD (11) goes through EYE (14) of STOPPER (13)).** Make connection to “P” TRAP.
- Assemble POP-UP SWIVEL (15) to PIVOT ROD (11) but do not tighten. Drop POP-UP ROD (16) through other hole in POP-UP SWIVEL (15) and tighten SET SCREW (17).
- Adjust STOPPER (13) height by repositioning POP-UP ROD (16) in SWIVEL (15) and tightening SET SCREW (18).



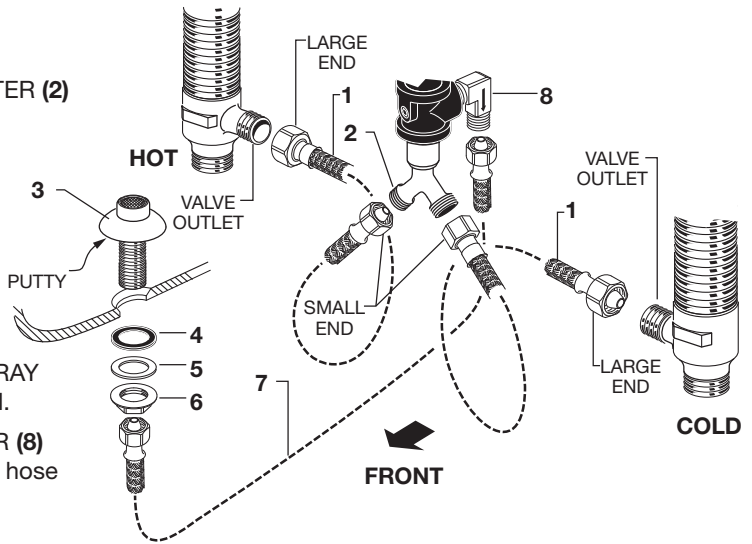
5 INSTALL SUPPLY HOSES

- Connect small end of SUPPLY HOSES (1) TO “Y” ADAPTER (2) and larger end to each VALVE OUTLET.

Important: Loop SUPPLY HOSES (1) as illustrated so they do not kink.

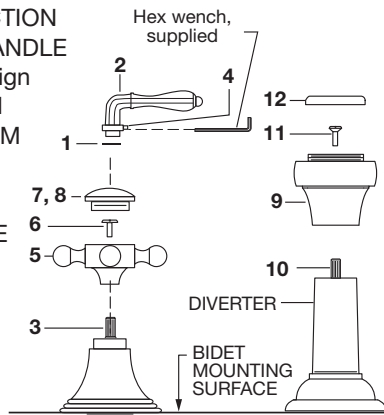
INSTALL SPRAY BODY

- Apply putty to the underside of SPRAY BODY FLANGE (3) and install SPRAY BODY (3) into spray hole of Bidet.
- From underside of Bidet install RUBBER WASHER (4), FIBER WASHER (5) and LOCKNUT (6) onto shank of SPRAY BODY (3). Tighten LOCKNUT (6) to make water tight seal.
- Connect one end of SPRAY HOSE (7) to HOSE ADAPTER (8) and the other end to shank of SPRAY BODY (3). Tighten hose connections to make a water tight seal



6 INSTALL HANDLES

- **FOR LEVER HANDLES:** Install FRICTION WASHER (1) onto base of LEVER HANDLE (2). Turn VALVE to off position and align LEVER HANDLE (2) as shown. Install LEVER HANDLE (2) onto VALVE STEM (3) and tighten SET SCREW (4) with HEX WRENCH supplied.



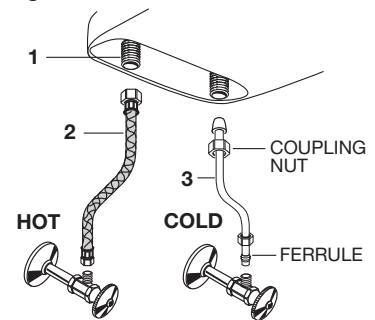
- **FOR CROSS HANDLES:** Turn VALVE to off position and align CROSS HANDLE (5) as shown. Install CROSS HANDLE (5) onto VALVE STEM (3) and tighten HANDLE SCREW (6). Insert HOT INDEX (7) into left CROSS HANDLE and COLD INDEX (8) into right CROSS HANDLE (5).

- **FOR DIVERTER HANDLE:** Install DIVERTER HANDLE (9) onto VALVE STEM (10) of DIVERTER. Secure with DIVERTER HANDLE SCREW (11). Thread HANDLE CAP (12) onto DIVERTER HANDLE (9).

7 WATER SUPPLY CONNECTIONS

NOTE: FLEXIBLE SUPPLIES ARE NOT INCLUDED AND HAVE TO BE PURCHASED SEPARATELY.

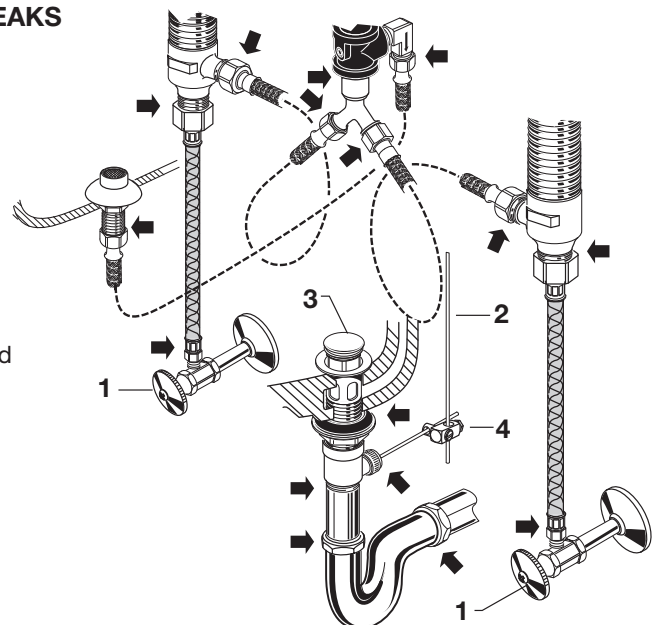
- Supply connections are made after bidet has been installed.
- Connect water supplies to FAUCET (1) with 1/2" IPS FLEXIBLE SUPPLIES (2) or 3/8" O.D. BULL-NOSE RISERS (3). Use adjustable wrench to tighten connections. Do not over tighten. Be careful not to kink copper supply when bending. Use tubing cutter to cut to proper length.



8 TEST INSTALLED FITTING AND CONNECTIONS FOR LEAKS

- With HANDLES in OFF position, turn on WATER SUPPLIES and check all connections ➡ for leaks.
- Operate both HANDLES to flush water lines thoroughly. Turn diverter to rim wash and bidet spray.
- Operate LIFT ROD (2) and fill bidet with water. DRAIN STOPPER (3) should make a good seal and retain water in bidet. Adjust stopper height if required by repositioning LIFT ROD (2) and tightening SET SCREW (4).
- Release DRAIN STOPPER (3) and check all drain connections and “P” trap for ➡ leaks. Tighten if necessary.

NOTE: Diverter valve is not a positive shut-off to rim wash.



DXV

Ashbee™ 3-Hole Bidet Set with Vacuum Breaker

MODEL NUMBERS

| | |
|--------------|------------------|
| Cross Handle | D35101334 |
| Lever Handle | D35101330 |

Replace the "YYY" with appropriate finish code

| | |
|-----------------|-----|
| POLISHED CHROME | 100 |
| BRUSHED NICKEL | 144 |
| PLATINUM NICKEL | 150 |

