

INSTALLATION INSTRUCTIONS



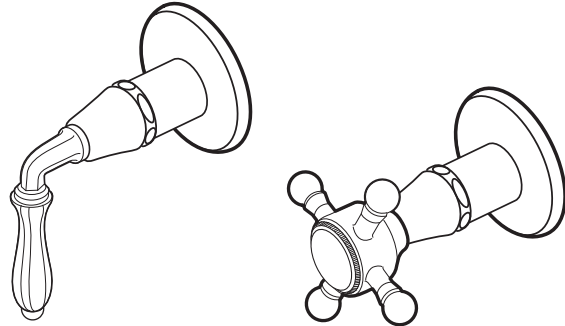
Ashbee™ Handle Trim Kits for Straight Wall Valves

**Cross Handle
Model D35101740**

**Lever Handle
Model D35101700**

**To be used with
D35000710.191 - 1/2" Rough Valve
D35000700.191 - 3/4" Rough Valve**

Thank you for selecting DXV. To ensure that your installation proceeds smoothly, please read these instructions carefully before you begin.

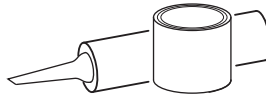


RECOMMENDED TOOLS AND MATERIALS

Most of the procedures require the use of common tools and materials, which are available from hardware and plumbing supply stores. It is essential that the tools and materials be on hand before work has begun.



Adjustable Wrench



Plumbers' Putty or Caulking



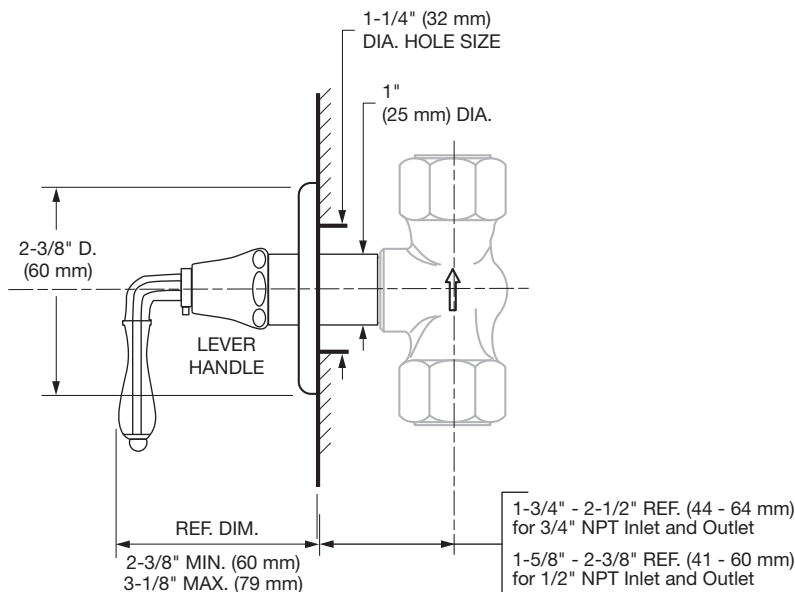
Phillips Screwdriver



Flat Blade Screwdriver

ROUGHING-IN DIMENSIONS:

- For reference



In the United States:

DXV
One Centennial Avenue
Piscataway, New Jersey 08855
Attention: Director of Customer Care

For residents of the United States, warranty information may also be obtained by calling the following toll free number: (800) 227-2734
www.DXV.com

In Canada:

DXV
5900 Avebury Road
Mississauga, Ontario
L5R 3M3
Canada

Toll Free: 1-800-387-0369
Local: 905-306-1093
Fax: 1-800-395-1498
www.DXV.ca

In Mexico:

DXV
Via Morelos 330
Col. Santa Clara Coatitla
Ecatepec, Estado de México 55540

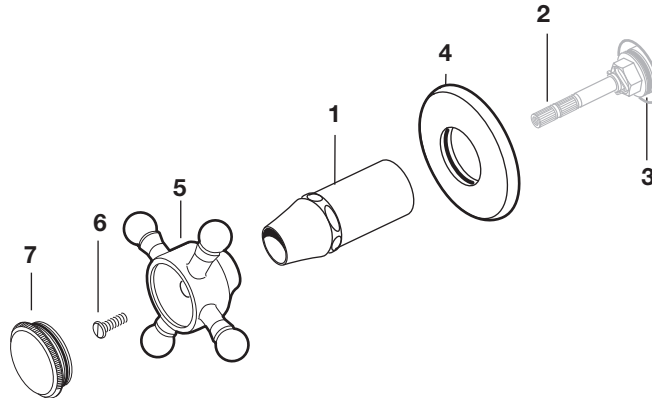
Toll Free: 01-800-8391200
www.DXV.mx

SAVE FOR FUTURE USE

1 INSTALL CROSS HANDLE

CAUTION Turn off hot and cold water supplies before beginning.

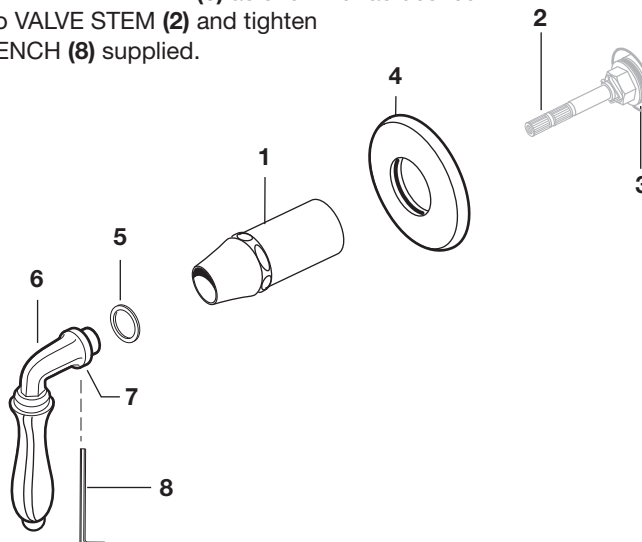
- Slide ESCUTCHEON (4) onto BARREL SLEEVE (1).
- Install BARREL SLEEVE (1) over VALVE STEM (2) and thread onto VALVE (3) until it seats tight against the internal stop.
- Slide ESCUTCHEON (4) flush against finished wall to cover wall opening.
- With VALVE in off position align CROSS HANDLE (5) as shown or as desired. Install CROSS HANDLE (5) onto VALVE STEM (2) and tighten HANDLE SCREW (6). Insert INDEX (7) into CROSS HANDLE (5).



2 INSTALL LEVER HANDLE

CAUTION Turn off hot and cold water supplies before beginning.

- Apply sealant to groove on back side of ESCUTCHEON (4). Slide ESCUTCHEON (4) onto BARREL SLEEVE (1).
- Install BARREL SLEEVE (1) over VALVE STEM (2) and thread onto VALVE (3) until it seats tight against the internal stop.
- Slide ESCUTCHEON (4) flush against finished wall to cover wall opening.
- **FOR LEVER HANDLES:** Install FRICTION WASHER (5) onto base of LEVER HANDLE (6). With VALVE in off position align LEVER HANDLE (6) as shown or as desired. Install LEVER HANDLE (6) onto VALVE STEM (2) and tighten SET SCREW (7) with HEX WRENCH (8) supplied.





Ashbee™ Handle Trim Kits for Straight Wall Valves

MODEL NUMBERS

Cross Handle
D35101740
Lever Handle
D35101700

Replace the "YYY" with appropriate finish code

POLISHED CHROME	100
BRUSHED NICKEL	144
PLATINUM NICKEL	150

