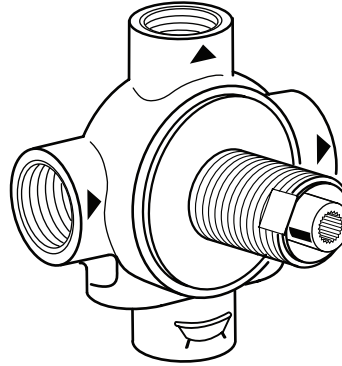


INSTALLATION INSTRUCTIONS



Three Way In-Wall Diverter

Model D35000430



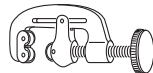
Thank you for selecting DXV. To ensure that your installation proceeds smoothly, please read these instructions carefully before you begin.

RECOMMENDED TOOLS AND MATERIALS

Most of the procedures require the use of common tools and materials, which are available from hardware and plumbing supply stores. It is essential that the tools and materials be on hand before work has begun.



Channel Locks



Tubing Cutter



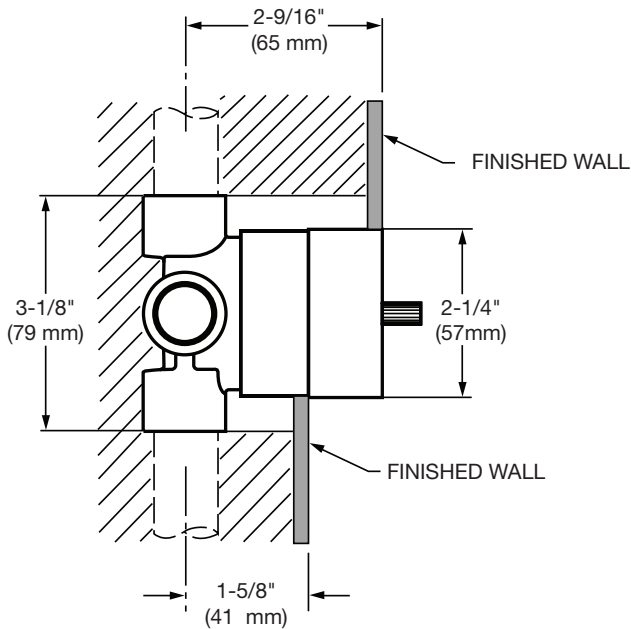
Adjustable Wrench



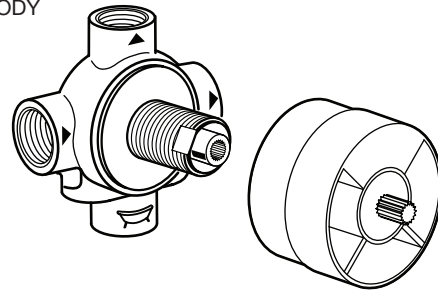
Teflon Tape

ROUGHING-IN DIMENSIONS:

- NOTE: No concealed piping furnished



THREE WAY BODY



ALL CONNECTIONS 1/2" NPT

In the United States:

DXV
One Centennial Avenue
Piscataway, New Jersey 08855
Attention: Director of Customer Care

For residents of the United States, warranty information may also be obtained by calling the following toll free number: (800) 227-2734
www.DXV.com

In Canada:

DXV
5900 Avebury Road
Mississauga, Ontario
L5R 3M3
Canada

Toll Free: 1-800-387-0369
Local: 905-306-1093
Fax: 1-800-395-1498
www.DXV.ca

In Mexico:

DXV
Via Morelos 330
Col. Santa Clara Coatitla
Ecatepec, Estado de México 55540

Toll Free: 01-800-8391200
www.DXV.mx

SAVE FOR FUTURE USE

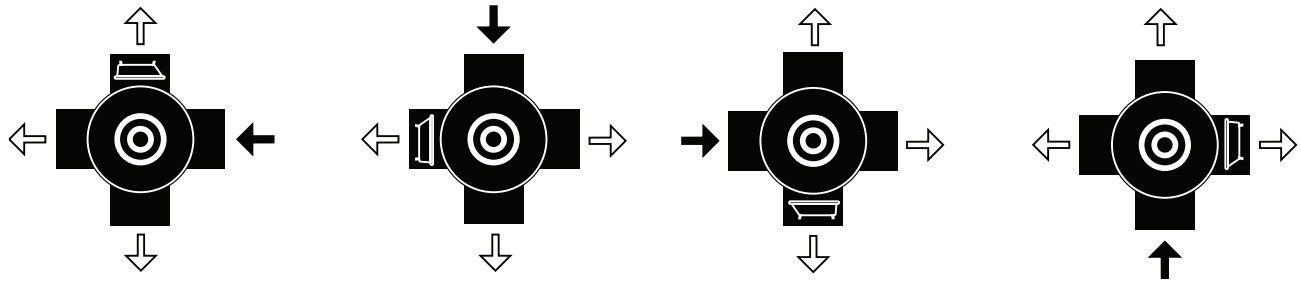
1 ROUGHING-IN

CAUTION DO NOT SEAL ANY OUTLETS. DIVERTER CANNOT BE USED AS A STOP VALVE.

- Turn off hot and cold water supplies before beginning.
- See Roughing-in Drawing on reverse side. The port with the BATH TUB picture is the high flow.
- The DIVERTER can be installed with the inlet rotated in any position.
- Supply connections are 1/2" (13 mm) NPT connections.
- For proper positioning the finished wall must be within side of PLASTER GUARD.
- Connect water to valve. The reverse side of the body is marked with arrows.

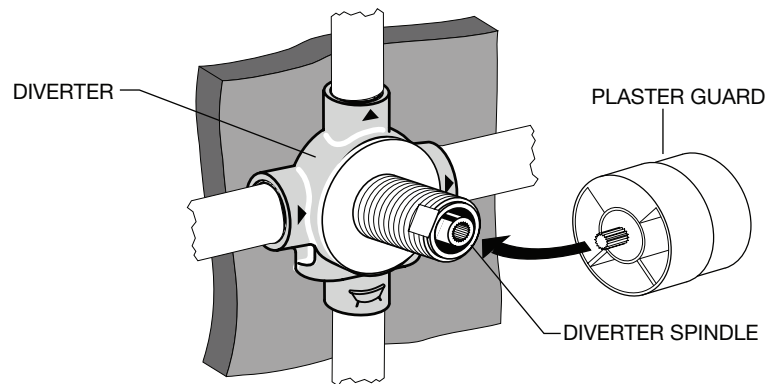
CAUTION DO NOT SOLDER NEAR THE VALVE. DAMAGE TO THE SEALS MAY OCCUR. DO NOT SEAL ANY OUTLETS. THIS DIVERTER CANNOT BE USED AS A STOP VALVE.

- For support use pipe braces secured to wooden braces.



2 TEST DIVERTER

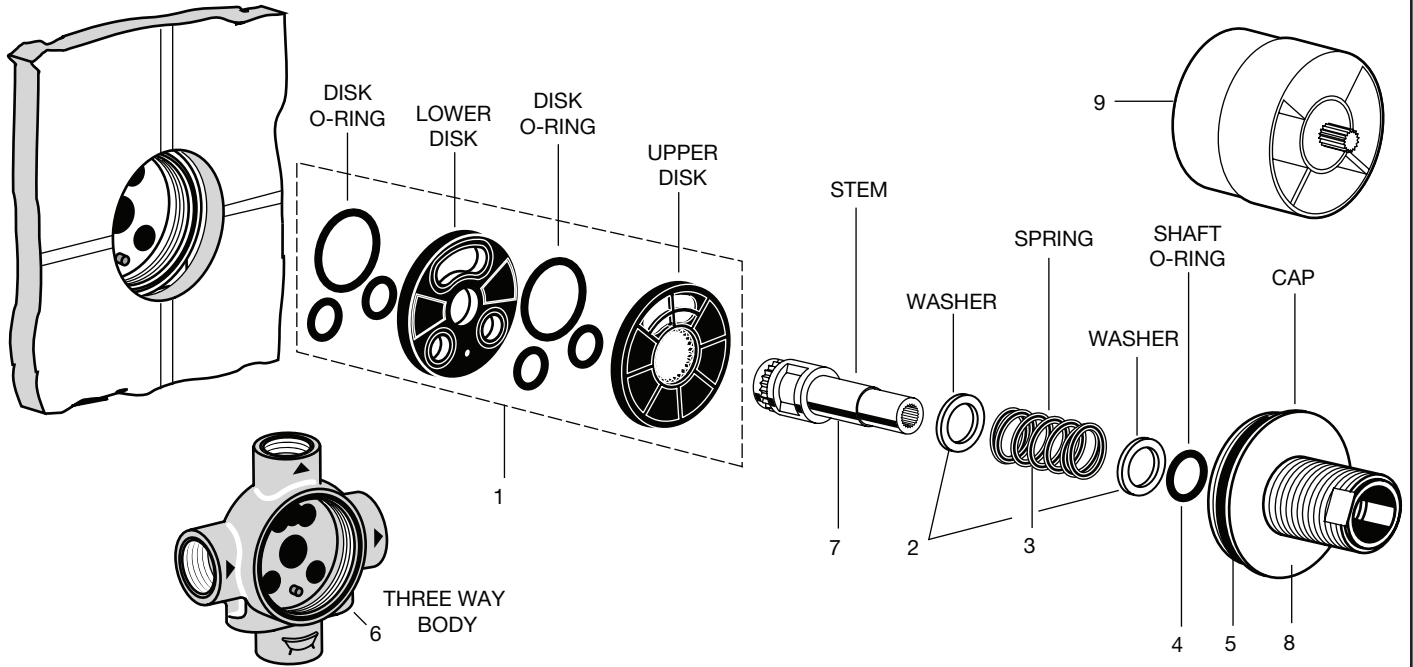
- Check that the DIVERTER operates correctly and does not leak.
- To do this, screw off the PLASTER GUARD, turn around, and insert using the fluted pin into the fluting on the DIVERTER SPINDLE and use as a diverter knob.
- Screw the PLASTER GUARD back on. Have the wall tiled only with the PLASTER GUARD screwed on.



3 SERVICE

TO REPLACE O-RINGS:

- Turn off water supply.
- Unscrew CAP and remove STEM, SPRING and SEALS.
- Remove old DIVERTER elements and install new parts.
- Replace remaining parts in reverse order.
- **NOTE:** Repair part numbers are 1 thru 9.

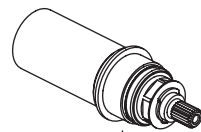


DXV

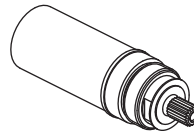
Three Way In-Wall Diverter

MODEL NUMBER

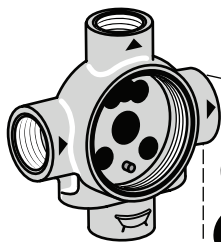
D35000430



H2749.XXX
EXTENSION KIT
(EXCEPT REM)



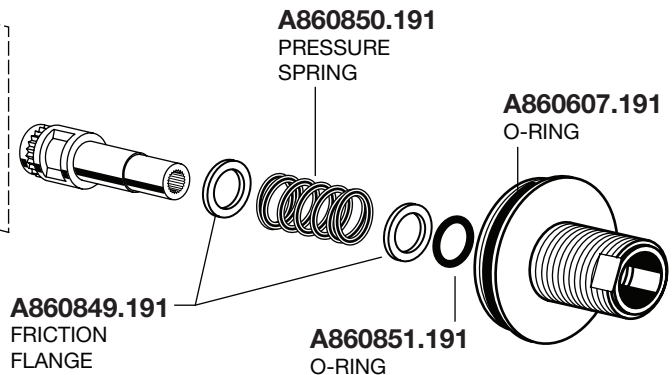
M964961-1000A
EXTENSION KIT
(FOR REM)



Replace the "XXX" with appropriate finish code

POLISHED CHROME	100
BRUSHED NICKEL	144
PLATINUM NICKEL	150
ULTRA STEEL	427

A860848.191
SWITCH-OVER
ELEMENT



A860849.191
FRICTION
FLANGE

A860850.191
PRESSURE
SPRING

A860851.191
O-RING

A860607.191
O-RING