

# INSTALLATION INSTRUCTIONS



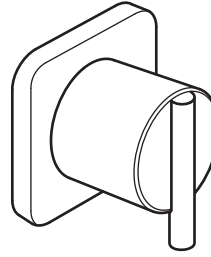
## Rem® Handle Trim Kit for 2 Way or 3 Way In-Wall Diverter

Model D35100430

To be used with

D35000420.191 - 3/2 Two Way In-Wall Diverter

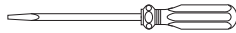
D35000430.191 - 4/3 Three Way In-Wall Diverter



*Thank you for selecting DXV. To ensure that your installation proceeds smoothly, please read these instructions carefully before you begin.*

### RECOMMENDED TOOLS AND MATERIALS

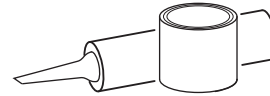
Most of the procedures require the use of common tools and materials, which are available from hardware and plumbing supply stores. It is essential that the tools and materials be on hand before work is begun.



Flat Blade Screwdriver



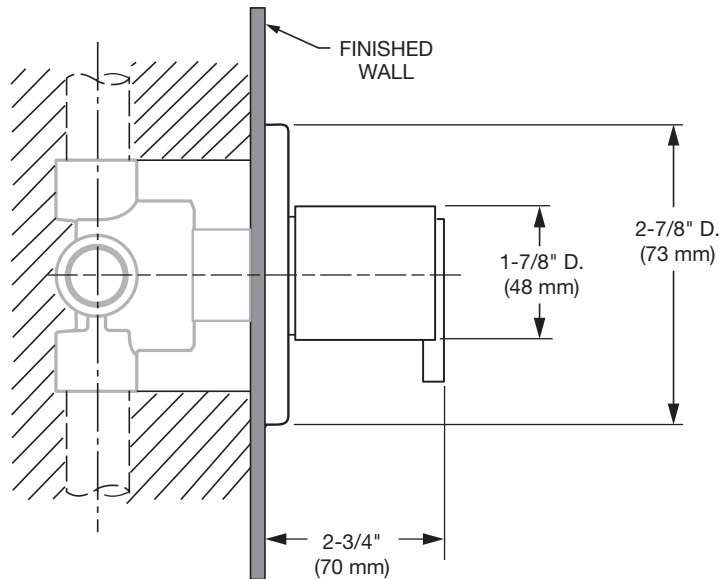
Phillips Screwdriver



Plumbers' Putty or Caulking

### ROUGHING-IN DIMENSIONS:

- For reference



#### In the United States:

DXV  
One Centennial Avenue  
Piscataway, New Jersey 08855  
Attention: Director of Customer Care

For residents of the United States, warranty information may also be obtained by calling the following toll free number: (800) 227-2734  
[www.DXV.com](http://www.DXV.com)

#### In Canada:

DXV  
5900 Avebury Road  
Mississauga, Ontario  
L5R 3M3  
Canada

Toll Free: 1-800-387-0369  
Local: 905-306-1093  
Fax: 1-800-395-1498  
[www.DXV.ca](http://www.DXV.ca)

#### In Mexico:

DXV  
Via Morelos 330  
Col. Santa Clara Coatitla  
Ecatepec, Estado de México 55540

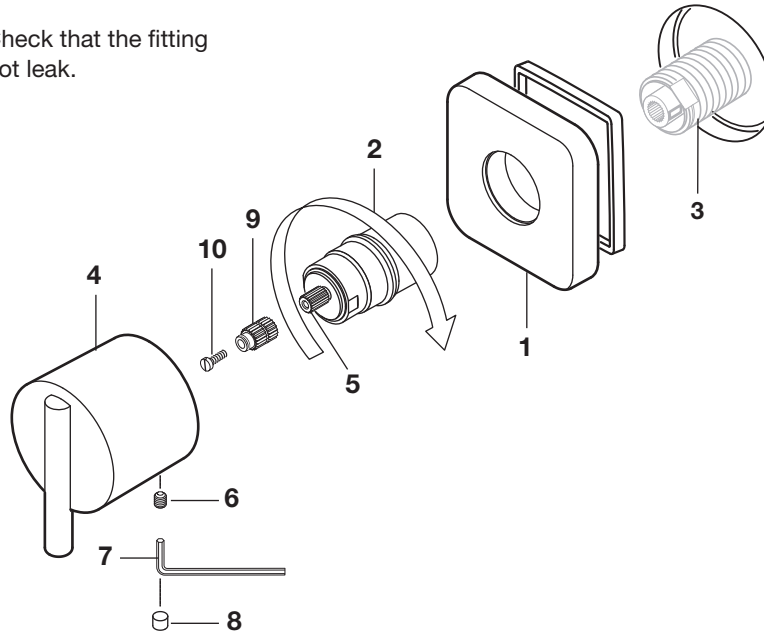
Toll Free: 01-800-8391200  
[www.DXV.mx](http://www.DXV.mx)

SAVE FOR FUTURE USE

# 1 INSTALL HANDLE

**CAUTION** Turn off hot and cold water supplies before beginning.

- Install ADAPTER (9) onto VALVE STEM (5) and secure with SCREW (10).
- Install ESCUTCHEON (1) onto ESCUTCHEON HOLDER (2). Apply sealant to groove on back side of ESCUTCHEON (1). Thread ESCUTCHEON HOLDER (2) with ESCUTCHEON (1) onto DIVERTER VALVE (3) until ESCUTCHEON (1) is tight against FINISHED WALL.
- With VALVE in off position align LEVER HANDLE (4) as shown. Install LEVER HANDLE (4) onto VALVE STEM (5). Tighten SET SCREW (6) with (2.5 mm) HEX WRENCH (7) supplied to secure HANDLE (4).
- Push in index button (8).
- Turn on the water supply. Check that the fitting works correctly and does not leak.



## Rem® Handle Trim Kit for 2 Way or 3 Way In-Wall Diverter

MODEL NUMBER

**D35100430**

Replace the "YYY" with appropriate finish code

POLISHED CHROME	100
BRUSHED NICKEL	144

