

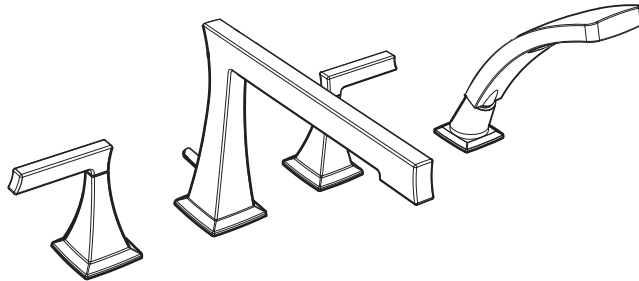
INSTALLATION INSTRUCTIONS



Keefe[®] Deck Mount Tub Filler with Hand Shower

Model D35104900

Thank you for selecting DXV. To ensure that your installation proceeds smoothly, please read these instructions carefully before you begin.



RECOMMENDED TOOLS AND MATERIALS

Most of the procedures require the use of common tools and materials, which are available from hardware and plumbing supply stores. It is essential that the tools and materials be on hand before work is begun.



Channel Locks



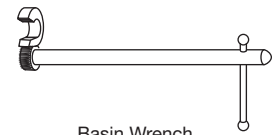
Adjustable Wrench



Flat Blade Screwdriver



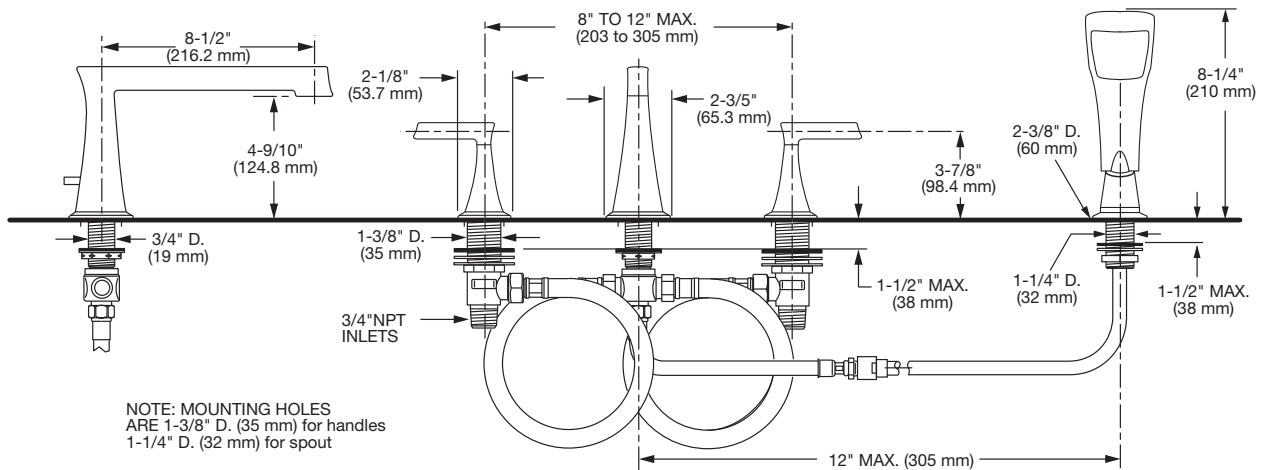
Phillips Screwdriver



Basin Wrench

ROUGHING-IN DIMENSIONS:

- For reference



In the United States:

DXV
One Centennial Avenue
Piscataway, New Jersey 08855
Attention: Director of Customer Care

For residents of the United States, warranty information may also be obtained by calling the following toll free number: (800) 227-2734
www.DXV.com

In Canada:

DXV
5900 Avebury Road
Mississauga, Ontario
L5R 3M3
Canada

Toll Free: 1-800-387-0369
Local: 905-306-1093
Fax: 1-800-395-1498
www.DXV.ca

In Mexico:

DXV
Via Morelos 330
Col. Santa Clara Coatitla
Ecatepec, Estado de México 55540

Toll Free: 01-800-8391200
www.DXV.mx

SAVE FOR FUTURE USE

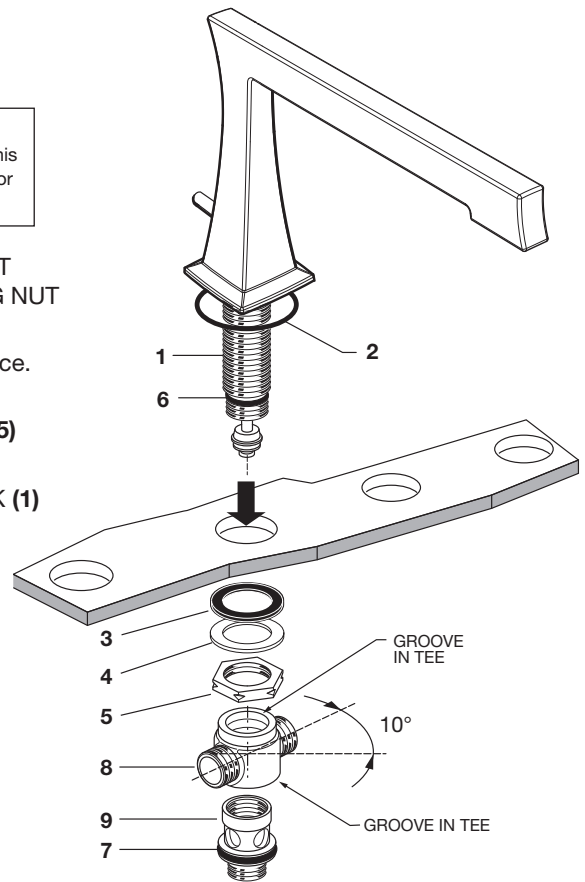
1 SPOUT AND T-PIECE ASSEMBLY

CAUTION Turn off hot and cold water supplies before beginning.

IMPORTANT NOTICE TO THE INSTALLER

Please check with your local Code Authority for acceptable installation requirements for this Roman Tub set with hand shower. Some local codes may require a vacuum breaker and/or a pressure balanced mixing valve to be installed in conjunction with this product.

- T-PIECE (8) and COUPLING NUT (9) are factory pre-installed on SPOUT SHANK (1) and must be removed to install spout. Unthread COUPLING NUT (9) and pull off T-PIECE (8).
- Insert SPOUT SHANK (1) through center hole of sink or mounting surface. Install WASHER (2).
- Assemble RUBBER WASHER (3), FIBER WASHER (4) and LOCKNUT (5) onto threads of SPOUT SHANK (1). Tighten firmly.
- Grease O-RING (6 & 7). Assemble T-PIECE (8) onto the SPOUT SHANK (1) and tighten with COUPLING NUT (9).
- Slide the T-PIECE (8) onto SPOUT SHANK (1) until it makes contact with the O-RING (6). Thread COUPLING NUT (9) onto SPOUT SHANK (1). Rotate T-PIECE (8) about 10 degrees from center and tighten securely. Make sure both O-Rings (6 & 7) are seated into grooves of T-PIECE (9).



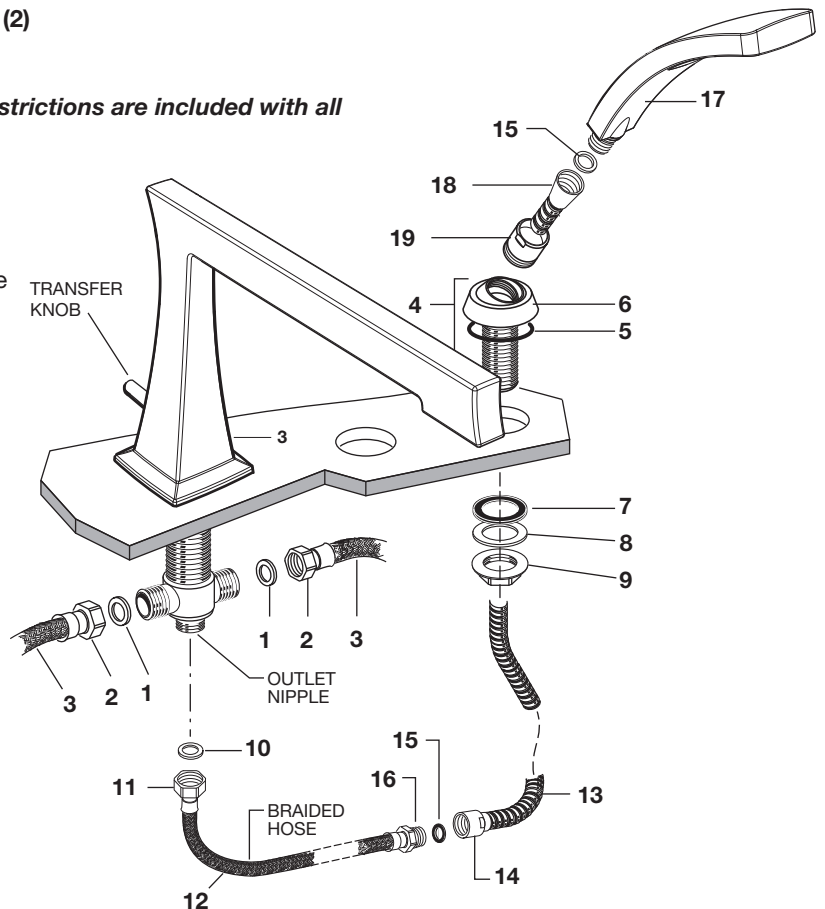
2 HOSE ASSEMBLY

- Insert FIBER WASHERS (1) into COUPLING NUTS (2) of SUPPLY HOSES (3) and tighten.

NOTE: Back flow prevention and 2.5 GPM flow restrictions are included with all Roman tub sets with hand shower.

2a HAND SHOWER ASSEMBLY

- Drop SPRAY HOLDER (4) into the fourth hole of the tub ledge or deck (12" max from SPOUT center) directed towards tub center. Be sure O-RING (5) is properly seated in ESCUTCHEON (6). Install RUBBER WASHER (7), FIBER WASHER (8) and LOCKNUT (9) from underside of mounting ledge. Secure SPRAY HOLDER (4) by tightening LOCKNUT (9).
- Add SEAL WASHER (10) and connect COUPLING NUT (11) of BRAIDED HOSE (12) to outlet nipple. Tighten firmly. Tighten SPRAY REST (19).
- Slip SHOWER HOSE (13) with COUPLING NUT (14) through SPRAY HOLDER (4) and ESCUTCHEON (6).
- Install SEAL (15) into COUPLING NUT (14). Connect COUPLING NUT (15) to HOSE NIPPLE (16) and tighten.
- INSTALL second SEAL (15) and connect HANDS HOWER (17) to SPRAY HOSE END (18). Hand tighten.



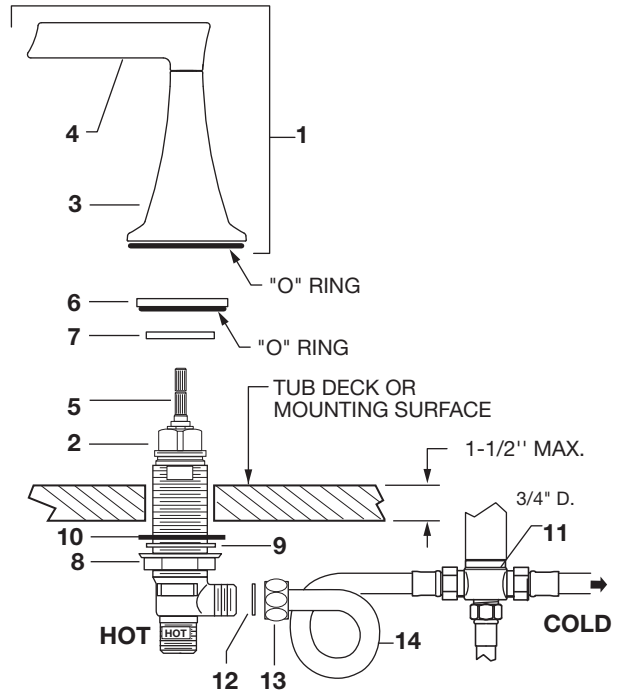
3 INSTALL VALVE BODIES

- HANDLE ASSEMBLIES (1, 1A) are installed on VALVE BODIES (2) and must be removed to install VALVE BODIES (2) from under tub deck or mounting surface.
- To remove HANDLE ASSEMBLY (1), unthread HANDLE BASE (3) with LEVER (4) from VALVE BODY (2). Pull HANDLE ASSEMBLY (1) off VALVE STEM (5).
- Unthread and remove MOUNTING RING (6) and SPACER (7).
- Thread LOCKNUT (8) to bottom of VALVE BODY (2). Make sure FIBER WASHER (9) and RUBBER WASHER (10) are installed. Insert VALVE BODY (2) through mounting hole from underside of tub deck or mounting surface.

NOTE: VALVE BODY marked Hot is installed in the left Mtg. hole, VALVE BODY marked Cold in the right when facing front of fitting Maximum mounting surface thickness is 1-1/2".

- From top install SPACER (7) onto VALVE BODY (2). Thread MOUNTING RING (6) on VALVE BODY (2) until seated tightly against SPACER (7). Set VALVE BODIES (2) so that their outlets are facing toward SPOUT TEE (11) and then tighten LOCKNUT (8) using 35 mm or adjustable wrench.
- Insert RUBBER WASHERS (12) into COUPLING NUTS (13) of SUPPLY HOSES (14) and tighten making water tight connection.

Important: Loop SUPPLY HOSES (14) as illustrated so they do not kink.



INSTALL HANDLES

- Turn VALVE BODIES (2) to off position. Align HANDLES as shown or as desired and install HANDLE ASSEMBLY (1, 1A) onto VALVE STEM (5). Thread HANDLE BASE (3) onto VALVE BODY (2) until seated tightly against mounting surface.

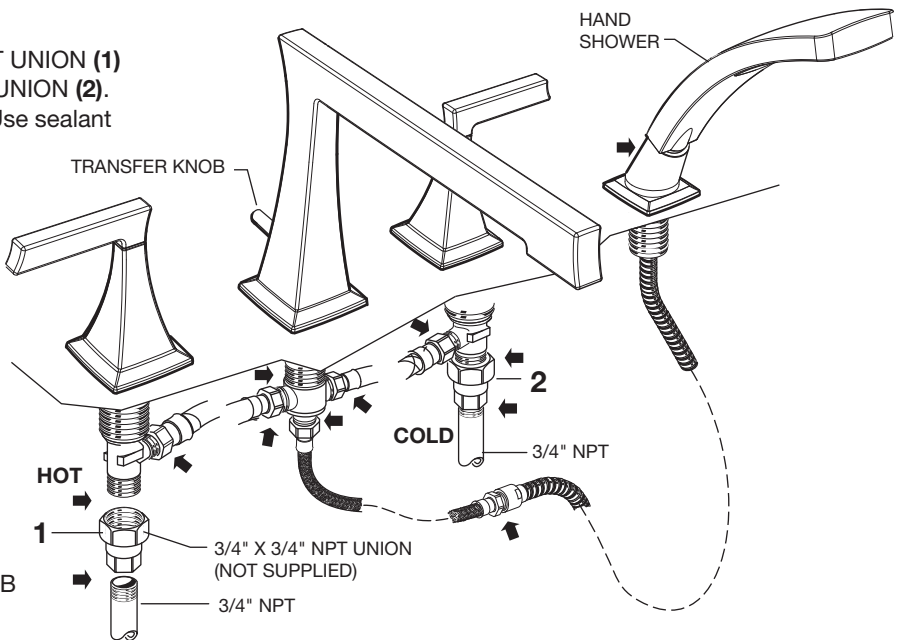
4 MAKE WATER SUPPLY CONNECTIONS

- Connect HOT water supply to LEFT INLET UNION (1) and COLD water supply to RIGHT INLET UNION (2). Pipe connections are 3/4" (19 mm) NPT. Use sealant or Teflon tape on pipe connections.

Do not solder directly to valve body.

TEST INSTALLED FAUCET

- Remove AERATOR from FAUCET.
- With HANDLES in OFF position, turn on WATER SUPPLIES and check all connections for leaks. ➡
- Operate both HANDLES to flush water lines thoroughly.
- Replace AERATOR.
- Lift HAND SHOWER from HOLDER, direct spray into tub. Lift TRANSFER KNOB to check HAND SHOWER and HOSES for leaks. ➡
- Turn handles "off" and replace HAND SHOWER.



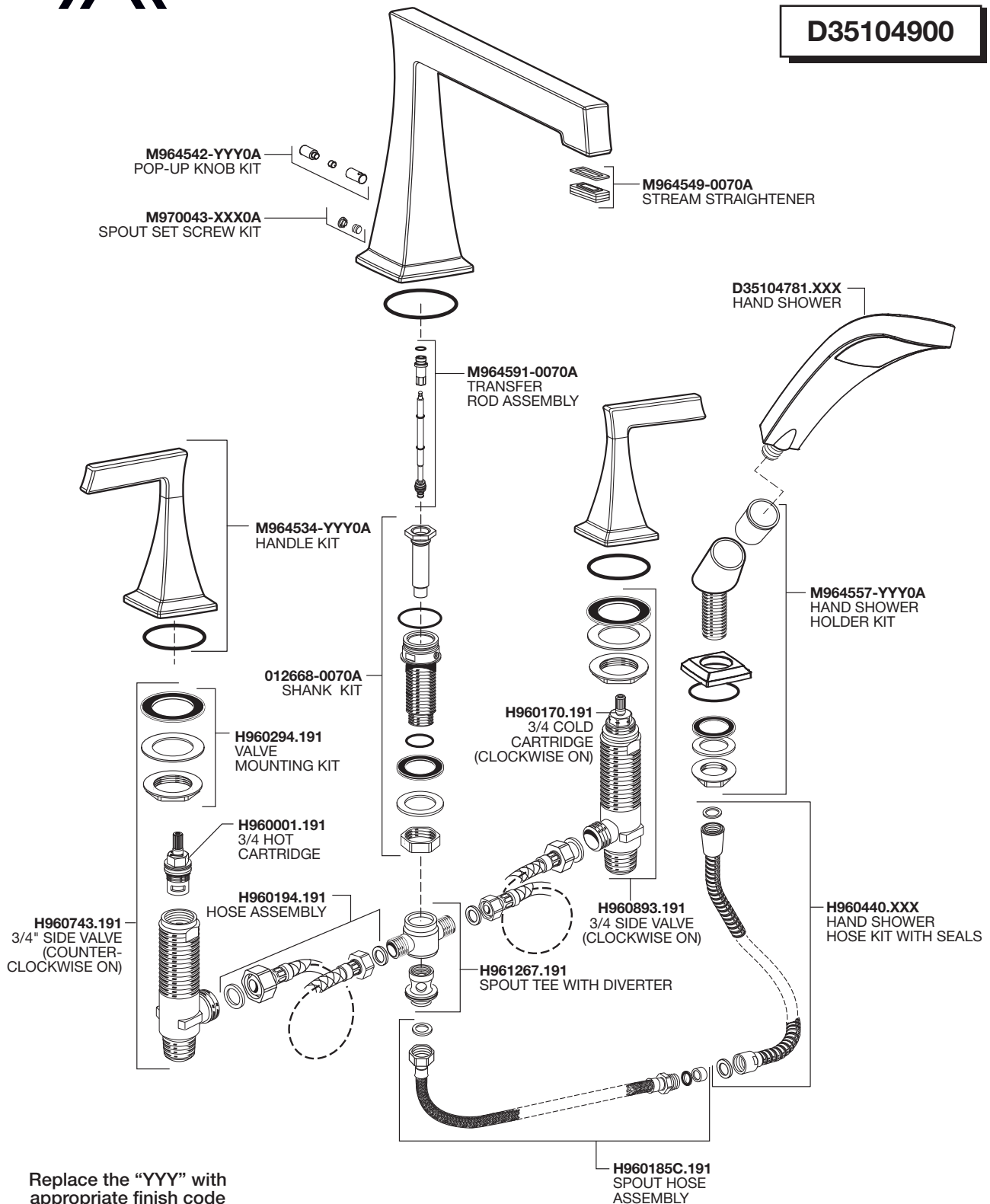
IMPORTANT: It is strongly recommended that access be provided for all enclosed mechanical parts to this system.

DXV

Keefe® Deck Mount Tub Filler with Hand Shower

MODEL NUMBERS

D35104900



Replace the "YYY" with appropriate finish code

POLISHED CHROME	100
BRUSHED NICKEL	144