

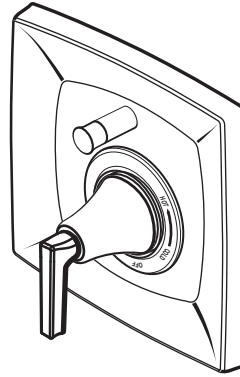
INSTALLATION INSTRUCTIONS



Keefe® Pressure Balanced Diverter Valve Tub/Shower Trim Kit

Model D35104600

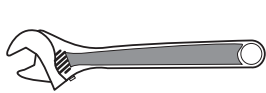
To be used with D35000600.191
Rough Valve for Pressure Balanced Bath/Shower



Thank you for selecting DXV. To ensure that your installation proceeds smoothly, please read these instructions carefully before you begin.

RECOMMENDED TOOLS AND MATERIALS

Most of the procedures require the use of common tools and materials, which are available from hardware and plumbing supply stores. It is essential that the tools and materials be on hand before work is begun.



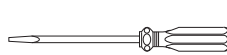
Adjustable Wrench



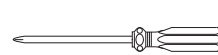
Teflon Tape



Hex Wrench
(Supplied)



Flat Blade Screwdriver



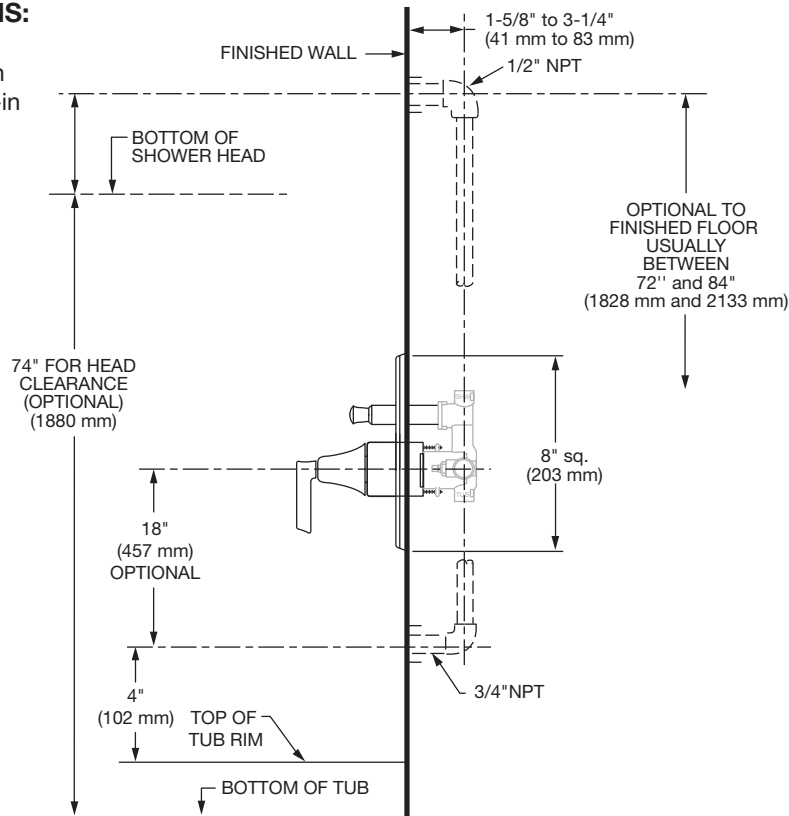
Phillips Screwdriver



1/2" Hex Wrench

ROUGHING-IN DIMENSIONS:

- For reference
- To assure proper positioning in relation to wall, note roughing-in dimensions.



In the United States:

DXV
One Centennial Avenue
Piscataway, New Jersey 08855
Attention: Director of Customer Care

For residents of the United States, warranty information may also be obtained by calling the following toll free number: (800) 227-2734
www.DXV.com

In Canada:

DXV
5900 Avebury Road
Mississauga, Ontario
L5R 3M3
Canada

Toll Free: 1-800-387-0369
Local: 905-306-1093
Fax: 1-800-395-1498
www.DXV.ca

In Mexico:

DXV
Via Morelos 330
Col. Santa Clara Coatitla
Ecatepec, Estado de México 55540

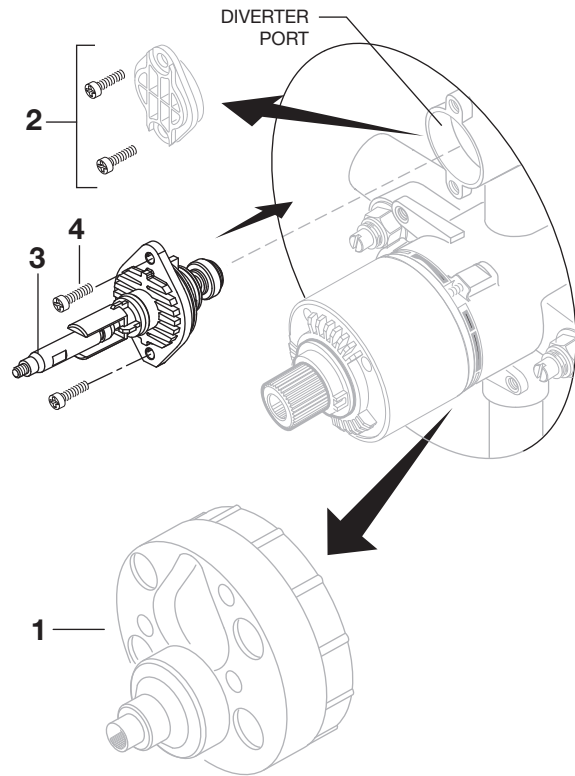
Toll Free: 01-800-8391200
www.DXV.mx

SAVE FOR FUTURE USE

1 INSTALL DIVERTER

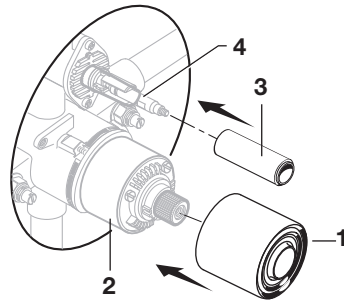
CAUTION Turn off hot and cold water supplies before beginning.

- When finished tiling the wall, remove PLASTER GUARD (1). Remove two screws that secure the DIVERTER LID (2) and remove Lid. Inspect the inside surface of diverter port. Diverter port must be free of any dirt. Clean if necessary.
- Install DIVERTER (3) with SCREWS (4) removed from DIVERTER LID (2).
- Operate DIVERTER (3). DIVERTER (3) should slide in and out smoothly.



2 INSTALL DIVERTER COVER AND VALVE COVER

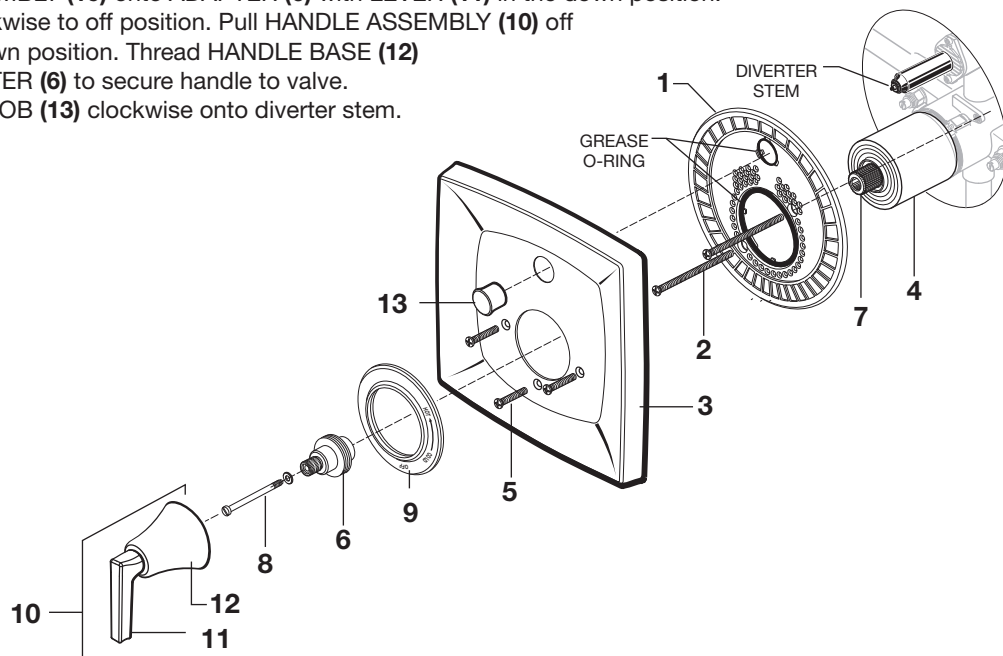
- Push CAP (1) over VALVE CARTRIDGE (2) until seated against stop. Push CAP (3) over DIVERTER (4) until seated against stop.



3 INSTALL TRIM

CAUTION Protect finish on SHOWER ARM, SHOWER HEAD and TUB SPOUT when installing.

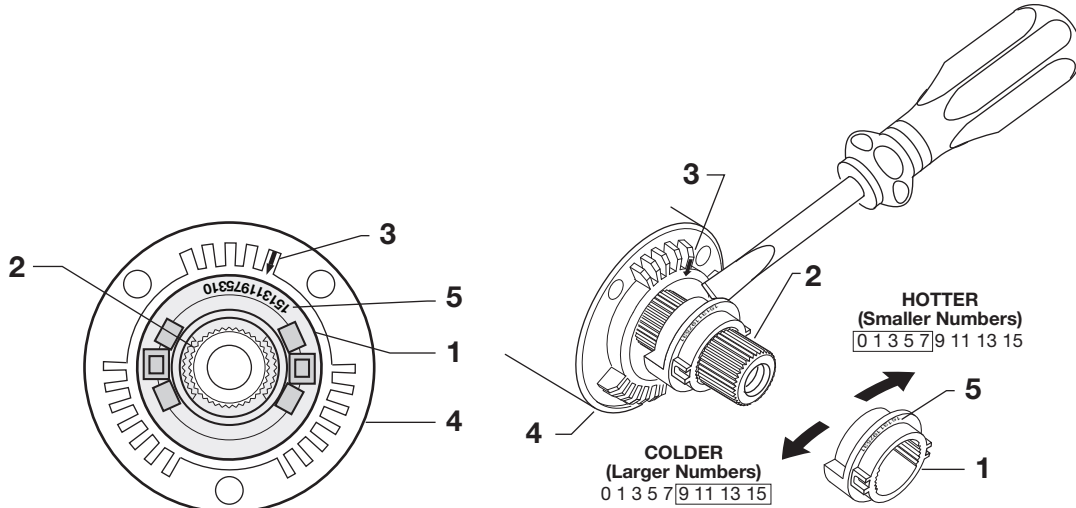
- Mount ESCUTCHEON HOLDER (1) with gasket to fitting using two LONG SCREWS (2). Push the ESCUTCHEON COVER (3) over CAP (4). Align screw holes in ESCUTCHEON COVER (3) with holes in ESCUTCHEON HOLDER (1). Fasten with three MOUNTING SCREWS (5).
- Push ADAPTER (6) onto CARTRIDGE STEM (7) and secure with WASHER and SCREW (8).
- Push DIAL PLATE (9) onto CAP (4) flush against ESCUTCHEON COVER (3) with the "OFF" facing down.
- Install HANDLE ASSEMBLY (10) onto ADAPTER (6) with LEVER (11) in the down position. Turn LEVER (11) clockwise to off position. Pull HANDLE ASSEMBLY (10) off and align again to down position. Thread HANDLE BASE (12) clockwise onto ADAPTER (6) to secure handle to valve. Thread DIVERTER KNOB (13) clockwise onto diverter stem.



4 ADJUST HOT LIMIT STOP (MUST BE DONE PRIOR TO TRIM INSTALLATION)

By restricting HANDLE rotation and limiting the amount of hot water allowed to mix with the cold, the HOT LIMIT SAFETY STOP (1) reduces risk of accidental scalding. To set the maximum hot water temperature of your faucet, all you need to do is adjust the setting on the HOT LIMIT SAFETY STOP (1).

- Turn CARTRIDGE STEM (2) to the OFF position (coldest setting) before making adjustment to HOT LIMIT SAFETY STOP (1). Use a flat blade screwdriver to pry free the HOT LIMIT SAFETY STOP (1). Pull forward and rotate counterclockwise one number to limit hot water temperature. Use ARROW (3) on CARTRIDGE (4) and NUMBERS (5) on HOT LIMIT SAFETY STOP (1) for indication.



5 TEST INSTALLED FAUCET

- Turn VALVE “off”.
- With HANDLE in “off” position, turn on water supplies and check all connections for leaks.
- Operate HANDLE and flush water lines thoroughly. Pull DIVERTER and check SHOWER for proper operation.
- Check SPOUT and SHOWER connections for leaks.



Keefe® Pressure Balanced Diverter Valve Tub/Shower Trim Kit

MODEL NUMBER

D35104600

Replace the "YYY" with
appropriate finish code

POLISHED CHROME	100
BRUSHED NICKEL	144

